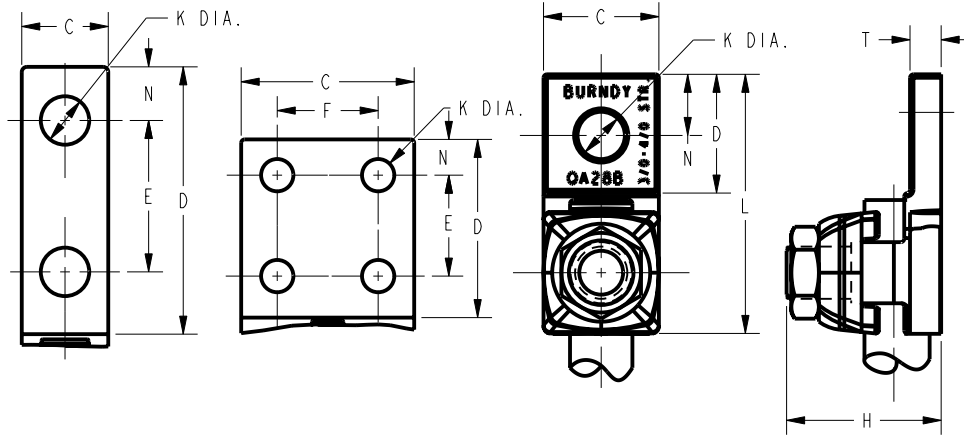


DRAWING NO.
SA008947

CABLE RANGE	NO. OF HOLES IN PAD	CATALOG NUMBERS	APPROX. SHIP WT. IN LBS	DIMENSIONS IN INCHES											
				COMMERCIAL AWG		NAVY		C	D	E&F	H	K DIA.	L	N	T
				MIN.	MAX.	MIN.	MAX.								
#14 Sol.	#8 Str.	4	14	1	QA8CB	.08	.56	.56	-	.69	.22	1.38	.28	.16	
#14 Sol.	#8 Str.	4	14	2	QA8C2B	.10	.56	1.19	.62	.69	.22	2	.31	.16	
#8 Str.	#4 Str.	23	40	1	QA4CB	.09	.62	.62	-	.75	.28	1.44	.31	.19	
#8 Str.	#4 Str.	23	40	2	QA4C2B	.10	.62	1.19	.62	.75	.28	2	.31	.19	
#4 Str.	#1 Str.	30	75	1	QA1CB	.13	.62	.75	-	1	.28	1.75	.34	.22	
#4 Str.	#1 Str.	30	75	2	QA1C2B	.16	.62	1.56	.88	1	.34	2.56	.34	.22	
1/0 Str.	2/0 Str.	100	125	1	QA26B	.23	.81	.94	-	1.12	.41	2	.44	.22	
1/0 Str.	2/0 Str.	100	125	2	QA262B	.28	.81	1.94	1	1.12	.41	3	.44	.22	
3/0 Str.	4/0 Str.	150	200	1	QA28B	.28	1	1.06	-	1.31	.41	2.25	.53	.25	
3/0 Str.	4/0 Str.	150	200	2	QA282B	.34	1	2	1	1.31	.41	3.19	.44	.25	
3/0 Str.	4/0 Str.	150	200	2	QA282N	.42	1	3.12	1.75	1.31	.56	4.31	.62	.25	
250 kcmil	350 kcmil	250	350	1	QA31B	.53	1.19	1.38	-	1.69	.53	2.31	.69	.31	
250 kcmil	350 kcmil	250	350	2	QA312B	.60	1.19	2	1	1.69	.44	3.31	.44	.31	
250 kcmil	350 kcmil	250	350	2	QA312N	.72	1.19	3.12	1.75	1.69	.56	4.44	.62	.31	
400 kcmil	500 kcmil	400	500	1	QA34B	.82	1.38	1.62	-	1.94	.53	3.19	.81	.31	
400 kcmil	500 kcmil	400	500	2	QA342B	.84	1.38	2	1	1.94	.41	3.56	.44	.31	
400 kcmil	500 kcmil	400	500	2	QA342N	.98	1.38	3.09	1.75	1.94	.56	4.69	.62	.31	
400 kcmil	500 kcmil	400	500	4	QA344B	.93	1.88	1.94	1	1.94	.44	3.5	.44	.31	
600 kcmil	800 kcmil	650	800	1	QA40B	1.3	1.62	1.87	-	2.31	.69	3.69	.94	.38	
600 kcmil	800 kcmil	650	800	2	QA402B	1.4	1.62	2.12	1.12	2.31	.44	3.81	.50	.38	
600 kcmil	800 kcmil	650	800	2	QA402N	1.5	1.62	3	1.75	2.31	.56	4.81	.62	.38	
600 kcmil	800 kcmil	650	800	4	QA404B	1.4	1.88	1.94	1	2.31	.44	3.75	.44	.38	
600 kcmil	800 kcmil	650	800	4	QA404N	2.0	3	3.06	1.75	2.31	.56	4.87	.62	.38	
850 kcmil	1000 kcmil	1000	1000	1	QA44B	1.7	1.88	2	-	2.5	.69	3.94	1	.50	
850 kcmil	1000 kcmil	1000	1000	2	QA442B	1.7	1.88	2.31	1.25	2.5	.56	4.25	.53	.50	
850 kcmil	1000 kcmil	1000	1000	2	QA442N	1.9	1.88	3	1.75	2.5	.56	4.94	.62	.50	
850 kcmil	1000 kcmil	1000	1000	4	QA444B	1.8	2.12	2.19	1.12	2.5	.44	4.12	.50	.50	
850 kcmil	1000 kcmil	1000	1000	4	QA444N	2.5	3	3.06	1.75	2.5	.56	5.00	.62	.50	
1100 kcmil	1500 kcmil	1300	1300	1	QA46B	2.7	2.12	2.12	-	2.88	.81	4.38	1.06	.56	
1100 kcmil	1500 kcmil	1300	1300	2	QA462B	2.9	2.12	2.62	1.37	2.88	.56	4.88	.62	.56	
1100 kcmil	1500 kcmil	1300	1300	2	QA462N	3.1	2.12	3	1.75	2.88	.56	5.25	.62	.56	
1100 kcmil	1500 kcmil	1300	1300	4	QA464N	3.4	3	3.12	1.75	2.88	.56	5.38	.62	.50	
1600 kcmil	2000 kcmil	1600	2000	1	QA48B	4.0	2.5	2.38	-	3.19	.81	5	1.19	.62	
1600 kcmil	2000 kcmil	1600	2000	2	QA482B	4.2	2.5	2.75	1.5	3.19	.56	5.37	.62	.62	
1600 kcmil	2000 kcmil	1600	2000	2	QA482N	4.3	2.5	3	1.75	3.19	.56	5.62	.62	.62	
1600 kcmil	2000 kcmil	1600	2000	4	QA484B	4.1	2.62	2.75	1.5	3.19	.56	5.37	.56	.62	

REV	DATE	DESCRIPTION	ECO	BY	C'H'K.
A	3/14/2009 12:00:00 AM	REDRAWN IN PROE	16123	DK	BSK

Q1KLUG TYPE QA-B



- NOTES:
- 1 USE TYPE QA1CB OR TYPE QA1C2B FOR N40 CABLE IN THIMBLE.
 - 2 MOUNTING HOLES CONFORM TO NEMA STANDARDS.

SUPERSDEDES SA8947-34

TO ORDER BURNDY® PRODUCTS CALL		Q1KLUGS	
UNITED STATES: 1-800-346-4175 (LONDONDERRY, NH)		ITEM NO: --	CAT. NO: QA-B (GENERAL)
CANADA: 1-800-361-6975 (QUEBEC) 1-800-387-6487 (ALL OTHER PROVINCES)		DRAWN BY: C.A.R. 09/25/75	CHECKER: C.A.R. 09/25/75
FOR PRODUCT INFO: http://www.fcconnect.com		DSN APPVL: --	MFG APPVL: --
		QA APPVL: --	MKT APPVL: --
		PROD FAM: CM&R	DRAWING NO: SA008947
		PROJECT #: --	REV: A
		DOCUMENT TYPE: Sales	SHEET 1 OF 2
		REL LEVEL: Released	SCALE: 1:1

REV: PE0200

DRAWING NO.
SA008947

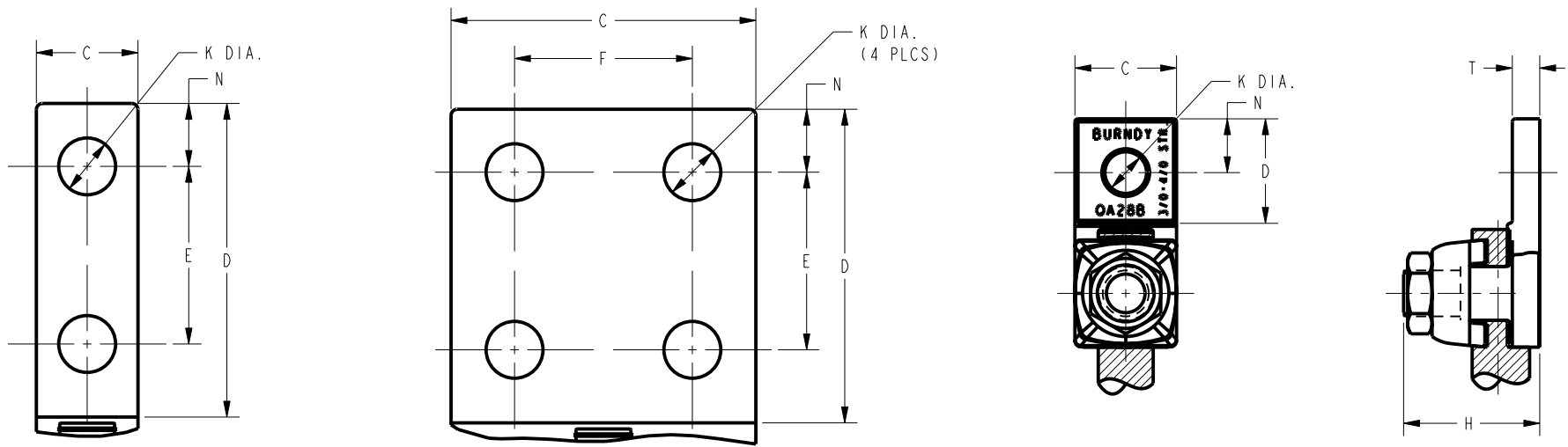
CABLE RANGE				NO. OF HOLES IN PAD	CATALOG NUMBER	APPROX. SHIP WT. IN LBS	DIMENSIONS IN INCHES							
COMMERCIAL AWG		NAVY					C	D	E, F	H	K	L	N	T
MIN.	MAX.	MIN.	MAX.				+ .06 - .03	+ .06 - .03	+ .06 - .03	+ .06 - .03	± .03	+ .06 - .03	± .03	+ .06 - .03
1/0 Str.	2/0 Str.	100	125	2	QA262B	.28	.81	1.94	1	1.12	.47	3	.44	.22
250kcmil	350 kcmil	250	350	2	QA312N	.72	.81	3.12	1.75	1.69	.56	4.44	.62	.31
400 kcmil	500 kcmil	400	500	2	QA342N	.98	1.62	3.12	1.75	1.94	.56	4.69	.62	.31
600 kcmil	800 kcmil	650	800	1	QA40B	1.3	1.88	1.88		2.62	.69	3.69	.94	.38
600 kcmil	800 kcmil	650	800	2	QA402N	1.5	1.88	3	1.75	2.31	.56	4.81	.62	.38

REV	DATE	DESCRIPTION	ECO	BY	C'H'K.
A	3/14/2009 12:00:00 AM	REDRAWN IN PROE	16123	DK	BSK

REV: PE0200

NOTES:

1. MOUNTING HOLES CONFORM TO NEMA STANDARDS.
2. FOR COLLINS RADIO ONLY.
3. SEE SHEET 1, FOR GENERAL DRAWING.



TO ORDER BURNDY® PRODUCTS CALL
 UNITED STATES:
 1-800-346-4175 (LONDONDERRY, NH)
 CANADA:
 1-800-361-6975 (QUEBEC)
 1-800-387-6487 (ALL OTHER PROVINCES)
 FOR PRODUCT INFO: <http://www.fciconnect.com>

Q1KLUGS	
ITEM NO:	N/A
CAT. NO:	QA-B (GENERAL)
DRAWN BY:	C.A.R. 09/25/75
CHECKER:	C.A.R. 09/25/75
DSN APPVL:	--
MFG APPVL:	--
QA APPVL:	--
MKT APPVL:	--
PROD FAM:	CM&R
PROJECT #:	--
DOCUMENT TYPE:	Sales
REL LEVEL:	Released
SCALE:	1:1
DRAWING NO	SA008947
REV	A
SHEET 2 OF 2	

