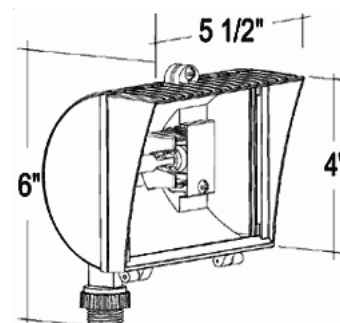


# QF150F

The Mini Curve. High quality die cast flood with rounded back and integral glare shield. Tempered glass lens. Gold plated socket contacts and 250°C Teflon coated wires for extended lamp life. 150 watt double ended 130 volt Quartz halogen lamp supplied.

Color: Bronze

Weight: 1.6 lbs



## Lamp Info

Type: T3  
 Watts: 150W  
 Shape/Size: N/A  
 Base: N/A  
 ANSI: N/A  
 Hours: 2,000  
 Lamp Lumens: 2,800  
 Efficacy: 19 LPW

## Ballast Info

Type: N/A  
 120V: N/A  
 208V: N/A  
 240V: N/A  
 277V: N/A  
 Input Watts: 150W  
 Efficiency: 100%

## Technical Specifications

### UL Listing:

Suitable for wet locations. Suitable for mounting within 1.2m (4ft) of the ground.

### Housing:

Precision die cast aluminum housing, 1/2" NPS threaded arm with locking swivel fits all standard mounting boxes. Round back design with fins for heat dissipation to extend lamp life.

### Lens Gasket:

High temperature silicone gasket stays in place during relamping.

### Reflector:

Semi-specular anodized aluminum.

### Sockets:

Porcelain RSC base sockets with gold plated, spring loaded contacts. Teflon coated wires to extend lamp life.

### Lens:

5 mm thick, tempered glass lens.

### Finish:

Durable polyester powder coat bronze or white finish.

### Lamp:

High quality 130 volt Quartz Halogen lamp for extended life. Accepts both 150 and 200 watt lamps.

### Replacement Lamp:

LQ150 .

### Hardware:

Stainless steel external hardware.

### Patents:

The unique RAB Quartz Curve is protected by U.S. Patent D565,223; China Patent ZL200730149209.5; Taiwan Patent D124,862 and Canada Patent D121,992

**RAB**  
LIGHTING

Tech Help Line: 888 RAB-1000

Email: [sales@rabweb.com](mailto:sales@rabweb.com)

On the web at: [www.rabweb.com](http://www.rabweb.com)

Copyright ©2013 RAB Lighting, Inc. All Rights Reserved

Note: Specifications are subject to change without notice

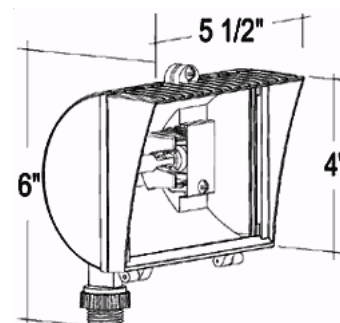
Page 1 of 1

# QF150F

The Mini Curve. High quality die cast flood with rounded back and integral glare shield. Tempered glass lens. Gold plated socket contacts and 250°C Teflon coated wires for extended lamp life. 150 watt double ended 130 volt Quartz halogen lamp supplied.

Color: Bronze

Weight: 1.6 lbs



## Lamp Info

Type: T3  
Watts: 150W  
Shape/Size: N/A  
Base: N/A  
ANSI: N/A  
Hours: 2,000  
Lamp Lumens: 2,800  
Efficacy: 19 LPW

## Ballast Info

Type: N/A  
120V: N/A  
208V: N/A  
240V: N/A  
277V: N/A  
Input Watts: 150W  
Efficiency: 100%

## Technical Specifications

### UL Listing:

Suitable for wet locations. Suitable for mounting within 1.2m (4ft) of the ground.

### Housing:

Precision die cast aluminum housing, 1/2" NPS threaded arm with locking swivel fits all standard mounting boxes. Round back design with fins for heat dissipation to extend lamp life.

### Lens Gasket:

High temperature silicone gasket stays in place during relamping.

### Reflector:

Semi-specular anodized aluminum.

### Sockets:

Porcelain RSC base sockets with gold plated, spring loaded contacts. Teflon coated wires to extend lamp life.

### Lens:

5 mm thick, tempered glass lens.

### Finish:

Durable polyester powder coat bronze or white finish.

### Lamp:

High quality 130 volt Quartz Halogen lamp for extended life. Accepts both 150 and 200 watt lamps.

### Replacement Lamp:

LQ150 .

### Hardware:

Stainless steel external hardware.

### Patents:

The unique RAB Quartz Curve is protected by U.S. Patent D565,223; China Patent ZL200730149209.5; Taiwan Patent D124,862 and Canada Patent D121,992

**RAB**  
LIGHTING

Tech Help Line: 888 RAB-1000

Email: [sales@rabweb.com](mailto:sales@rabweb.com)

On the web at: [www.rabweb.com](http://www.rabweb.com)

Copyright ©2013 RAB Lighting, Inc. All Rights Reserved

Note: Specifications are subject to change without notice

Page 1 of 1