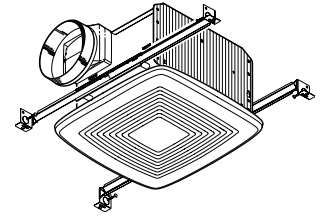


QTXE SERIES FANS

MODELS QTXE050, QTXE080, QTXE110, QTXE150



Ultra-quiet, high performance bath fan with a modern-styled grille.

FEATURES

BLOWER:

- Plug-in, permanently lubricated motor - engineered for continuous operation
- Dynamically balanced centrifugal blower wheel for quiet, efficient performance
- Maintains a high percentage of rated CFM in less than ideal installations
- Low RPM for quiet operation
- Resilient anti-vibration motor mounts (QTXE150 only)

HOUSING:

- Rugged, 26 gauge, galvanized steel construction
- 6" round ducting for superior performance
- Polymeric duct connector with tapered sleeve and no metallic clatter
- 7-5/8" height allows for 2" x 8" (nominal) joist installations
- Sturdy, easy, four-point mounting directly to joist
- Includes unique spacer (patent pending) for mounting to engineered "I" joists
- Includes hanger bars to position housing anywhere between 16" to 24"-on-center joists
- Two sets of mounting holes for hanger bars allow flush installation with bottom or top of drywall
- Can be mounted in ceilings up to 12/12 pitch

GRILLE:

- Polymeric construction
- Innovative design - the result of extensive research with designers and consumers

CONTROLS (Purchase separately):

- Model 69VL (Ivory) / 69WL (White) - One rocker switch with "on" indicator light
- Other controls available from Broan-NuTone

U.L. Listed for use over bathtubs and showers when connected to a GFCI protected branch circuit (ceiling mount only).

3-Year Warranty

TYPICAL SPECIFICATION

Ceiling Ventilator shall be Broan Model QTXE050 (QTXE080) (QTXE110) (QTXE150).

Ceiling Ventilator shall have corrosion resistant galvanized steel housing with four-point mounting capability. It shall be ducted to a roof or wall cap using 6" round ductwork.

Blower assembly shall be removable, have a centrifugal-type blower wheel and a permanently lubricated motor designed for continuous operation.

Non-metallic damper/duct connector shall be included.

Air delivery shall be no less than 50 (80) (110) (150) CFM and sound level no greater than <0.3 (0.3) (0.7) (1.4) Sones. All air and sound ratings shall be certified by HVI.

Ceiling ventilator shall be Energy Star® qualified and have an energy efficient permanent split capacitor motor.

Ceiling Ventilator shall be U.L. Listed for use over bathtubs and showers when connected to a GFCI protected branch circuit.



Broan-NuTone LLC Hartford, Wisconsin www.broan.com 800-558-1711

| REFERENCE | QTY. | REMARKS | Project | |
|-----------|------|---------|--------------|------|
| | | | Location | Date |
| | | | Architect | |
| | | | Engineer | |
| | | | Contractor | |
| | | | Submitted by | |

PERFORMANCE RATINGS QTXE SERIES FANS

HVI PERFORMANCE

| Model | Static Pressure (Ps) | CFM | Sones | Watts |
|---------|----------------------|-----|-------|-------|
| QTXE050 | 0.10 | 50 | < 0.3 | 19.7 |
| | 0.25 | 39 | | |
| QTXE080 | 0.10 | 80 | 0.3 | 23.3 |
| | 0.25 | 55 | | |
| QTXE110 | 0.10 | 110 | 0.7 | 33.5 |
| | 0.25 | 90 | | |
| QTXE150 | 0.10 | 150 | 1.4 | 51.3 |
| | 0.25 | 137 | | |



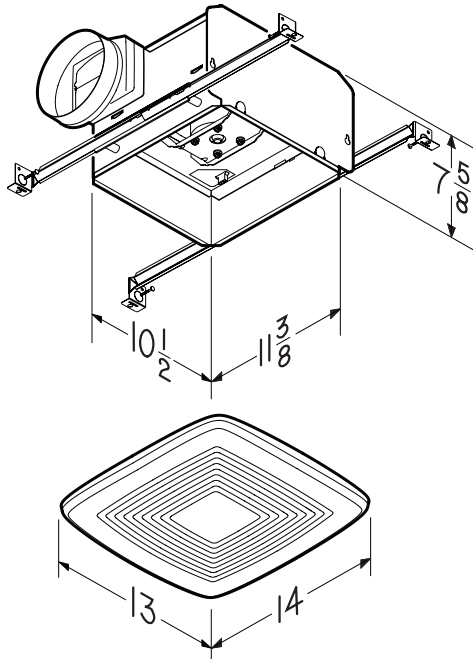
HVI-2100 CERTIFIED RATINGS comply with new testing technologies and procedures prescribed by the Home Ventilating Institute, for off-the-shelf products, as they are available to consumers. Product performance is rated at 0.1 in. static pressure, based on tests conducted in a state-of-the-art test laboratory. Sones are a measure of humanly-perceived loudness, based on laboratory measurements.

AMPS

| Model | Amps |
|---------|------|
| QTXE050 | 0.2 |
| QTXE080 | 0.2 |
| QTXE110 | 0.3 |
| QTXE150 | 0.5 |

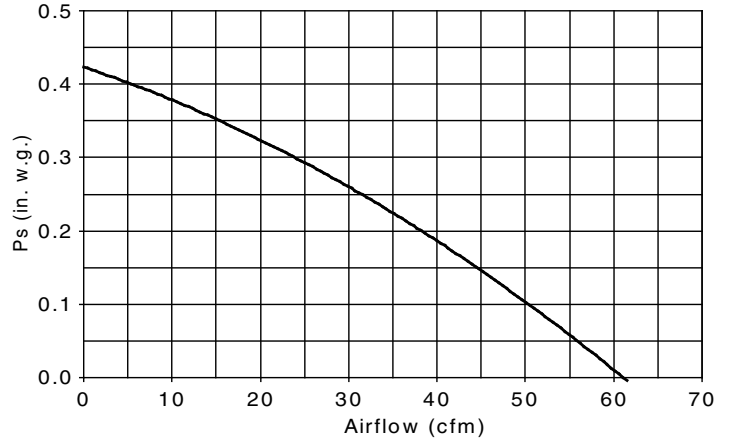
WEIGHT

| Model | Shipping Weight |
|---------|-----------------|
| QTXE050 | 12.4 lbs. |
| QTXE080 | 12.4 lbs. |
| QTXE110 | 13.0 lbs. |
| QTXE150 | 13.6 lbs. |

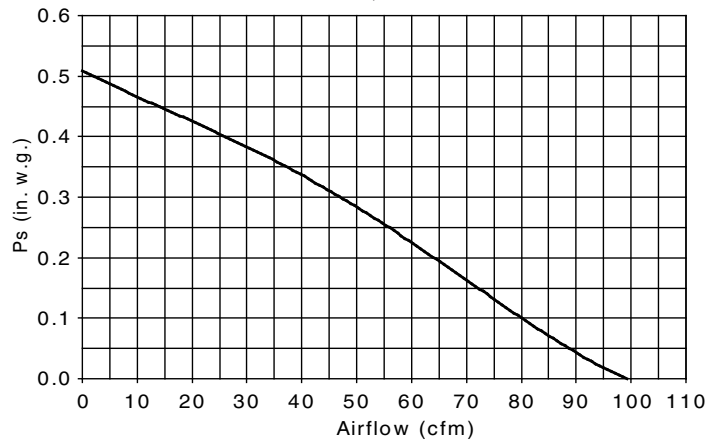


AIR FLOW PERFORMANCE

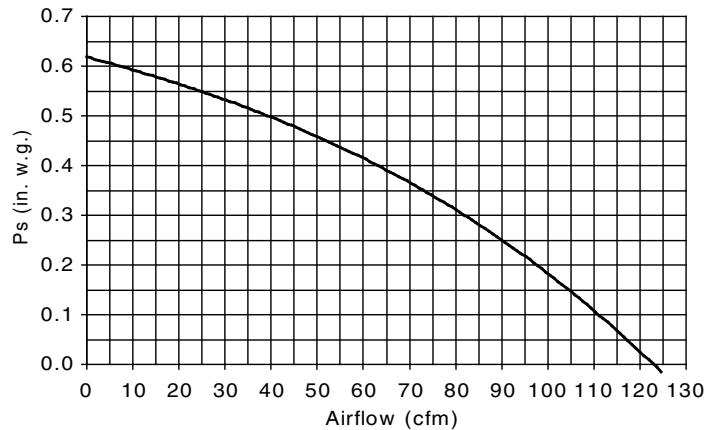
MODEL QTXE050



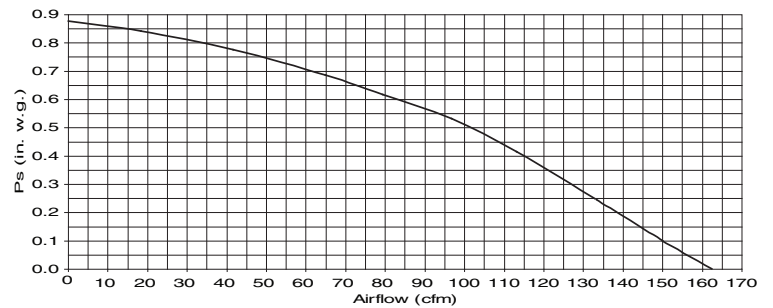
MODEL QTXE080



MODEL QTXE110

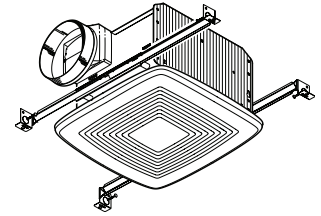


MODEL QTXE150



QTXE SERIES FANS

MODELS QTXE050, QTXE080, QTXE110, QTXE150



Ultra-quiet, high performance bath fan with a modern-styled grille.

FEATURES

BLOWER:

- Plug-in, permanently lubricated motor - engineered for continuous operation
- Dynamically balanced centrifugal blower wheel for quiet, efficient performance
- Maintains a high percentage of rated CFM in less than ideal installations
- Low RPM for quiet operation
- Resilient anti-vibration motor mounts (QTXE150 only)

HOUSING:

- Rugged, 26 gauge, galvanized steel construction
- 6" round ducting for superior performance
- Polymeric duct connector with tapered sleeve and no metallic clatter
- 7-5/8" height allows for 2" x 8" (nominal) joist installations
- Sturdy, easy, four-point mounting directly to joist
- Includes unique spacer (patent pending) for mounting to engineered "I" joists
- Includes hanger bars to position housing anywhere between 16" to 24"-on-center joists
- Two sets of mounting holes for hanger bars allow flush installation with bottom or top of drywall
- Can be mounted in ceilings up to 12/12 pitch

GRILLE:

- Polymeric construction
- Innovative design - the result of extensive research with designers and consumers

CONTROLS (Purchase separately):

- Model 69VL (Ivory) / 69WL (White) - One rocker switch with "on" indicator light
- Other controls available from Broan-NuTone

U.L. Listed for use over bathtubs and showers when connected to a GFCI protected branch circuit (ceiling mount only).

3-Year Warranty

TYPICAL SPECIFICATION

Ceiling Ventilator shall be Broan Model QTXE050 (QTXE080) (QTXE110) (QTXE150).

Ceiling Ventilator shall have corrosion resistant galvanized steel housing with four-point mounting capability. It shall be ducted to a roof or wall cap using 6" round ductwork.

Blower assembly shall be removable, have a centrifugal-type blower wheel and a permanently lubricated motor designed for continuous operation.

Non-metallic damper/duct connector shall be included.

Air delivery shall be no less than 50 (80) (110) (150) CFM and sound level no greater than <0.3 (0.3) (0.7) (1.4) Sones. All air and sound ratings shall be certified by HVI.

Ceiling ventilator shall be Energy Star® qualified and have an energy efficient permanent split capacitor motor.

Ceiling Ventilator shall be U.L. Listed for use over bathtubs and showers when connected to a GFCI protected branch circuit.



Broan-NuTone LLC Hartford, Wisconsin www.broan.com 800-558-1711

| REFERENCE | QTY. | REMARKS | Project | |
|-----------|------|---------|--------------|------|
| | | | Location | Date |
| | | | Architect | |
| | | | Engineer | |
| | | | Contractor | |
| | | | Submitted by | Date |

PERFORMANCE RATINGS QTXE SERIES FANS

HVI PERFORMANCE

| Model | Static Pressure (Ps) | CFM | Sones | Watts |
|---------|----------------------|-----|-------|-------|
| QTXE050 | 0.10 | 50 | < 0.3 | 19.7 |
| | 0.25 | 39 | | |
| QTXE080 | 0.10 | 80 | 0.3 | 23.3 |
| | 0.25 | 55 | | |
| QTXE110 | 0.10 | 110 | 0.7 | 33.5 |
| | 0.25 | 90 | | |
| QTXE150 | 0.10 | 150 | 1.4 | 51.3 |
| | 0.25 | 137 | | |



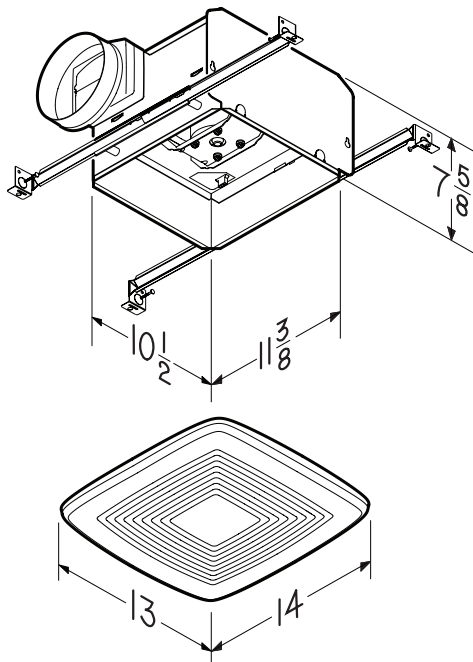
HVI-2100 CERTIFIED RATINGS comply with new testing technologies and procedures prescribed by the Home Ventilating Institute, for off-the-shelf products, as they are available to consumers. Product performance is rated at 0.1 in. static pressure, based on tests conducted in a state-of-the-art test laboratory. Sones are a measure of humanly-perceived loudness, based on laboratory measurements.

AMPS

| Model | Amps |
|---------|------|
| QTXE050 | 0.2 |
| QTXE080 | 0.2 |
| QTXE110 | 0.3 |
| QTXE150 | 0.5 |

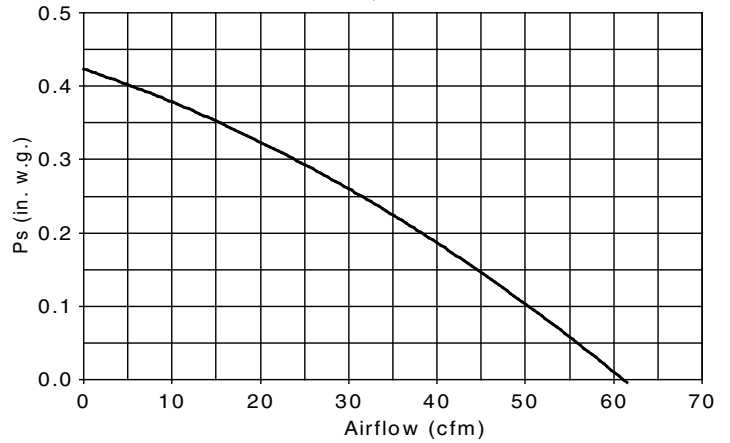
WEIGHT

| Model | Shipping Weight |
|---------|-----------------|
| QTXE050 | 12.4 lbs. |
| QTXE080 | 12.4 lbs. |
| QTXE110 | 13.0 lbs. |
| QTXE150 | 13.6 lbs. |

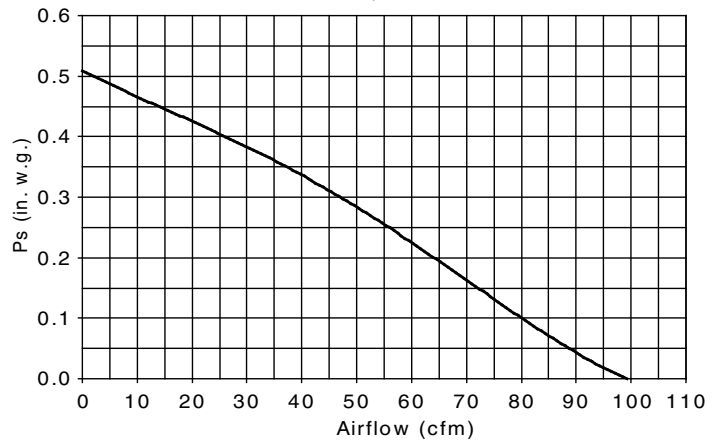


AIR FLOW PERFORMANCE

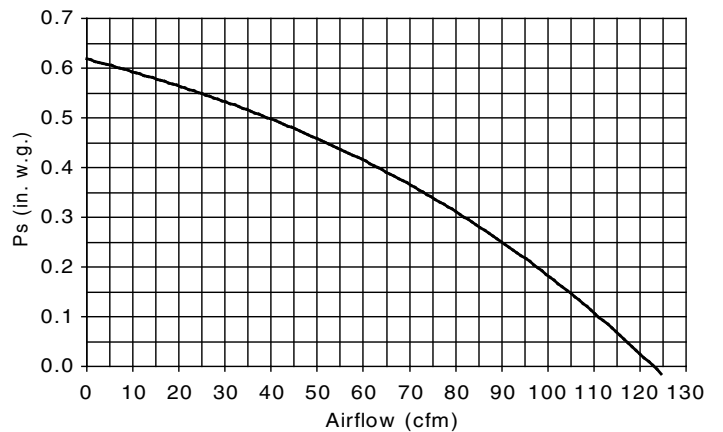
MODEL QTXE050



MODEL QTXE080



MODEL QTXE110



MODEL QTXE150

