

| | | | | | |
|-------------|--|-----------|--|------|--|
| Project | | Catalog # | | Type | |
| Prepared by | | Notes | | Date | |



HALO

RL56 | LED 600 Series

5"/6" LED Recessed Retrofit Module-Trim

Typical Applications

Residential

Interactive Menu

- Order Information [page 2](#)
- Product Specifications [page 3](#)
- Photometric Data [page 4](#)
- Energy & Performance Data [page 4](#)
- Product Warranty

Top Product Features

- ENERGY STAR® certified
- 90 CRI: 2700K, 3000K, 3500K, 4000K, or 5000K CCT
- Lumens: 600, 900, 1200
- Retrofits existing 5 or 6" housings with screwbase adapter included"
- Use with 5 and 6" LED housings – new construction and remodel"

Product Certification

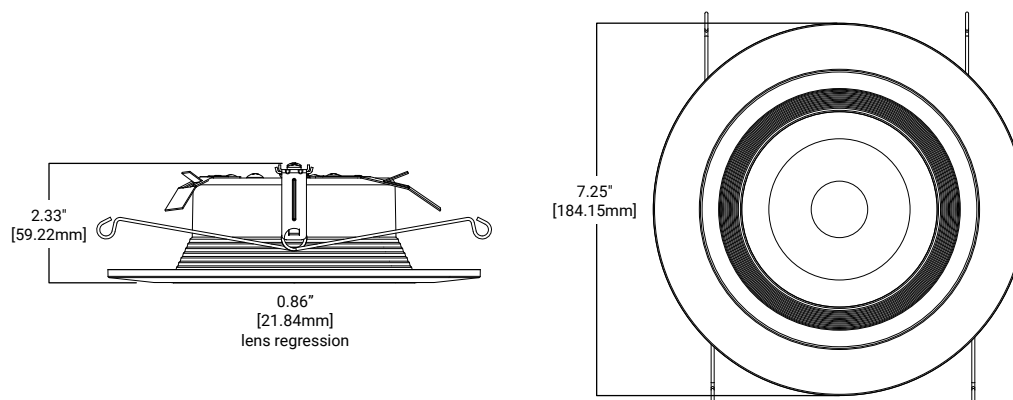


Refer to ENERGY STAR® Certified Products List.
Can be used to comply with California Title 24 High Efficacy requirements.
Certified to California Appliance Efficiency Database under J48.

Product Features



RL56 Dimensions




[additional product diagrams](#)

Order Information

SAMPLE ORDER NUMBER: **RL560WH6927-RL56TRMWHB**

Complete unit includes a RL56 Baffle-Trim LED Module and a 5" or 6" compatible housing, ordered separately. Optional accessory designer trim ring ordered separately.

| RL56 600 Series | Accessories (order separately) |
|---|---|
| RL56 600 Series | Accessories (order separately) |
| <p>RL560WH6927= 5"/6" Retrofit Baffle - Trim LED Module, 90CRI, 2700K, Matte White RL560WH6930= 5"/6" Retrofit Baffle - Trim LED Module, 90CRI, 3000K, Matte White RL560WH6935= 5"/6" Retrofit Baffle - Trim LED Module, 90CRI, 3500K, Matte White RL560WH6940= 5"/6" Retrofit Baffle - Trim LED Module, 90CRI, 4000K, Matte White RL560WH6950= 5"/6" Retrofit Baffle - Trim LED Module, 90CRI, 5000K, Matte White</p> | <p>Designer Trims RL56TRMSNB= 5/6" Satin Nickel Trim Ring, Baffle RL56TRMTBZB= 5/6" Tuscan Bronze Trim Ring, Baffle RL56TRMWHB= 5/6" White Paintable Trim Ring, Baffle RL56TRMMBB= 5/6" Matte Black Trim Ring, Baffle RL56TRMSN= 5/6" Satin Nickel Trim Ring RL56TRMTBZ= 5/6" Tuscan Bronze Trim Ring RL56TRMWH= 5/6" White Paintable Trim Ring RL56TRMMB= 5/6" Matte Black Trim Ring OT400P= Oversize Flat White Metal Trim Ring 6" I.D. x 9-1/4" O.D. (ring slips behind RL56 ring, in stepped configuration) OT403P= Oversize White Plastic Trim Ring 6" I.D. x 8" O.D. (ring slips behind RL56 ring, in stepped configuration) TRM690WH= Oversize Matte White Metal Trim Ring. Designed for RL560 ring to inset into oversize ring for an even (non-stepped) trim surface HE26LED= Replacement screw base adapter (one included with unit)</p>  <p>E26 Screw base adapter for retrofit (included)</p> |

Housing Compatibility

Compatible Halo LED Housings with LED luminaire connector (high-efficacy compliant)

| | |
|---|--|
| <p>Halo LED 5-inch H550ICAT= 5" LED, Insulated Ceiling, Air-Tite, New Construction Housing H550RICAT= 5" LED, Insulated Ceiling, Air-Tite, Remodel Housing E550ICAT= 5" LED, Insulated Ceiling, Air-Tite, New Construction Housing E550RICAT= 5" LED, Insulated Ceiling, Air-Tite, Remodel Housing</p> | <p>Halo LED 6-inch H750ICAT= 6" LED, Insulated Ceiling, Air-Tite, New Construction Housing H750RICAT= 6" LED, Insulated Ceiling, Air-Tite, Remodel Housing H750T= 6" LED, Non-IC, Air-Tite, New Construction Housing H750TCP= 6" LED, Non-IC, New Construction/Remodel Chicago Plenum Housing H750RINTD010= 6" LED, Non-IC, New Construction/Remodel Chicago Plenum Housing H2750ICAT= 6" LED, Shallow, Insulated Ceiling, Air-Tite, New Construction (use with 691X, 694X, 696X trims only) H2750RICAT= 6" LED, Shallow, Insulated Ceiling, Air-Tite, Remodel (use with 691X, 694X, 696X trims only) E750ICAT= 6" LED, Insulated Ceiling, Air-Tite, New Construction Housing E750RICAT= 6" LED, Insulated Ceiling, Air-Tite, Remodel Housing</p> |
|---|--|

Housing Compatibility

Halo LED Retrofit Enclosures

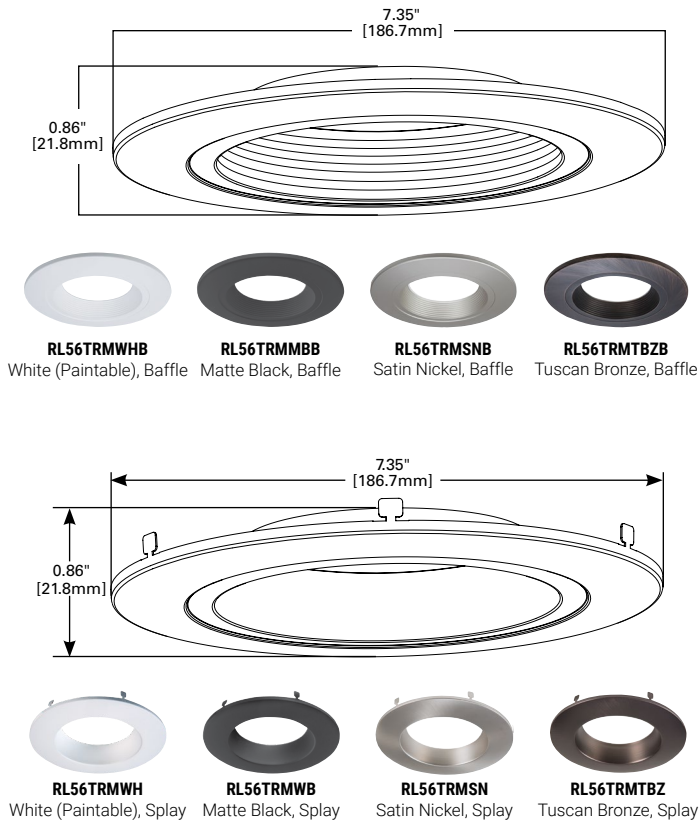
| | |
|---|--|
| <p>Halo LED retrofit ML7BRXFK= 6" Retrofit Enclosure, Non-IC, BX Whip ML7E26RFK= 6" Retrofit Enclosure, Non-IC, E26 Screw base Interface</p> | |
|---|--|

Housing Compatibility

Compatible Halo Incandescent E26 Screwbase Housings

| | |
|---|---|
| <p>Halo Standard Housings 5-inch H5ICAT= 5" Insulated Ceiling, Air-Tite New Construction Housing H5RICAT= 5" Insulated Ceiling, Air-Tite Remodel Housing H5ICATNB= 5" Insulated Ceiling, Air-Tite New Construction Housing, No Socket Bracket H5T= 5" Non-IC, New Construction Housing H5RT= 5" Non-IC, Remodel Housing H25ICAT= 5" Shallow, Insulated Ceiling, Air-Tite New Construction H25ICATNB= 5" Shallow, Insulated Ceiling, Air-Tite New Construction, No Socket Bracket H5TNB= 5" Non-IC, New Construction Housing, No Socket Bracket E5ICAT= 5" Insulated Ceiling, Air-Tite New Construction Housing E5RICAT= 5" Insulated Ceiling, Air-Tite Remodel Housing E5ICATNB= 5" Insulated Ceiling, Air-Tite New Construction Housing, No Socket Bracket E5TAT= 5" Non-IC, New Construction Housing E5RTAT= 5" Non-IC, Remodel Housing E5TATNB= 5" Non-IC, New Construction Housing, No Socket Bracket</p> <p>Halo Standard Housings 6-inch H7ICAT= 6" Insulated Ceiling, Air-Tite New Construction Housing H7RICAT= 6" Insulated Ceiling, Air-Tite Remodel Housing H7ICT= 6" Insulated Ceiling, New Construction Housing H7RICT= 6" Insulated Ceiling, Remodel Housing H7ICATNB= 6" Insulated Ceiling, Air-Tite New Construction Housing, No Socket Bracket</p> | <p>H7ICTNB= 6" Insulated Ceiling, New Construction Housing, No Socket Bracket H7T= 6" Non-IC, New Construction Housing H7RT= 6" Non-IC, Remodel Housing H7TNB= 6" Non-IC, New Construction Housing, No Socket Bracket H7TCP= 6" Non-IC, Chicago Plenum, New Construction/Remodel Housing H7UICAT= 6" Insulated Ceiling, Universal, Air-Tite, New Construction Housing H27ICAT= 6" Shallow, Insulated Ceiling, Air-Tite New Construction H27RICAT= 6" Shallow, Insulated Ceiling, Air-Tite Remodel Housing H27T= 6" Shallow, Non-IC, New Construction Housing H27RT= 6" Shallow, Non-IC, Remodel Housing E27ICAT= 6" Shallow, Insulated Ceiling, Air-Tite New Construction E27RICAT= 6" Shallow, Insulated Ceiling, Air-Tite Remodel Housing E27TAT= 6" Shallow, Non-IC, New Construction Housing E27RTAT= 6" Shallow, Non-IC, Remodel Housing E7ICAT= 6" Insulated Ceiling, Air-Tite New Construction Housing E7RICAT= 6" Insulated Ceiling, Air-Tite Remodel Housing E7ICATNB= 6" Insulated Ceiling, Air-Tite New Construction Housing, No Socket Bracket E7TAT= 6" Non-IC, New Construction Housing E7RTAT= 6" Non-IC, Remodel Housing E7TATNB= 6" Non-IC, New Construction Housing, No Socket Bracket</p> |
|---|---|

Designer Trim Dimensions



Energy Data

| RL56 Series (Values at non-dimming line voltage) | |
|--|---|
| Minimum Starting Temp: | -30°C (-22°F) |
| EMI/RFI: | FCC Title 47 CFR, Part 15, Class B (Consumer) |
| Sound Rating: | Class A |
| Input Voltage: | 120V |
| Power Factor: | >0.90 |
| Input Frequency: | 60Hz |
| THD: | <20% |
| Input Power: | 7.6W – RL560WH6827 7.3W – RL560WH6830, RL560WH6835, RL560WH6840 9.7W – RL560WH6927 8.7W – RL560WH6930, RL560WH6940 9.0W – RL560WH6935 |
| Input Current: | 0.15A |
| Maximum IC (Insulated Ceiling) Ambient Continuous Operating Temperature: | 25°C (77°F) |
| Maximum Non-IC Ambient Continuous Operating Temperature: | 40°C (104°F) |

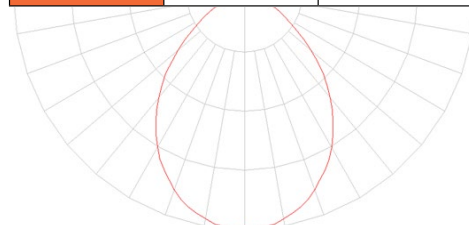
Product and Photometric Data

RL56 - 600 Series

| Cat No. | CRI | CCT | Lumens | Power (W) | LPW |
|-------------|-----|------|--------|-----------|-----|
| RL560WH6927 | 92 | 2700 | 630 | 8.7 | 72 |
| RL560WH6930 | 91 | 3000 | 645 | 8.8 | 73 |
| RL560WH6935 | 92 | 3500 | 650 | 8.9 | 73 |
| RL560WH6940 | 92 | 4000 | 690 | 9.2 | 75 |
| RL560WH6950 | 90 | 5000 | 715 | 8.9 | 80 |

RL56-600 Series Photometric*

| RL560WH6930 | | |
|-----------------------|----------|----------|
| Luminaire lumens | | 645 |
| Input watts | | 8.8 |
| LER (LPW) | | 73.3 |
| Spacing Criteria | 0-180 | 1.14 |
| | 90-270 | 1.14 |
| | Diagonal | 1.22 |
| Beam angle (degrees) | | 87.8 |
| Field angle (degrees) | | 139 |
| Zonal lumen | Lumens | % Lumens |
| 0-30 | 240 | 37.2 |
| 0-40 | 375 | 58.2 |
| 0-60 | 577 | 89.4 |
| 0-90 | 645 | 100 |



* Tested in accordance with IES LM63. Field results may vary.

Product Specifications

Mechanical

Module - Trim

- Module construction includes LED, heat sink, reflector, lens, baffle and trim ring
- Regressed baffle
- Heat sink designed to conduct heat away from the LED keeping the junction temperatures below specified maximums, even when installed in insulated ceiling environments. L70 at 50,000 hours.
- Designer trim finish options (sold separately)
 - White (Paintable) Trim Ring
 - Satin Nickel Trim Ring
 - Tuscan Bronze Trim Ring

Lens

- Regressed lens
- Impact-resistant polycarbonate
- Convex form for lamp-like appearance
- Diffusing for even illumination

Mounting

- Integral torsion springs and Push-N-Twist clips offer two mounting options
 - Torsion springs are pre-installed and adjust to fit 5" or 6" compatible housings
 - Push-N-Twist universal installation clips are pre-installed and designed to fit 5" or 6" compatible housings

Housing Compatibility

See Housing Compatibility

LED

- Color Temperature (CCT)† Options:
 - 90 CRI: 2700K, 3000K, 3500K, 4000K, and 5000K
- Can be used to comply with California Title 24 High Efficacy requirements. Certified to California Appliance Efficiency Database under JA8.

LED Chromaticity

- A tight chromaticity specification ensures LED color uniformity, sustainable Color Rendering Index (CRI) and Correlated Color Temperature (CCT) over the useful life of the LED
- LED chromaticity of 3 SDCM exceeds ENERGY STAR® color standards per ANSI C78.377- 2008
- High color performance with R9 greater than 50
- Every Halo LED is quality tested, measured, and serialized in a permanent record to register lumens, wattage, CRI and CCT
- Halo LED serialized testing and measurement ensures color and lumen consistency on a
- per-unit basis, and validates long-term product consistency over time

Electrical

Power Connections

- LED connector is a non-screw base luminaire disconnect offering easy installation with the matching Halo 5" and 6" LED housings
- LED Connector meets California Title-24 high

efficacy luminaire requirement for a non-screw base socket, and where required to qualify as a high efficacy luminaire

- The included E26 medium screw-base Edison adapter provides easy retrofit of incandescent housings (see Housing Compatibility)

Ground Connection

- Separate grounding cable included
- on the module for attachment to the
- housing during installation.

LED Driver

- With the latest "driver-on-board" electronic technology, the driver is integrated in the module.
- 120V 50/60 Hz constant current dimmable driver provides high-efficiency operation
- Driver meets FCC 47CFR Part 15 EMI/RFI consumer limits for use in residential and commercial installations
- Driver features high power factor and low THD and has integral thermal protection in the event of over temperature or internal failure
- If dimming is not required the fixture can be operated from a standard wall switch

Dimming

- Designed for continuous dimming capability to nominally 5% with many 120V Leading Edge (LE) and Trailing Edge (TE) Phase Control dimmers. (Dimmers with low end trim adjustment offer greater assurance of achieving 5% level.)
- Consult dimmer manufacturer for compatibility and conditions of use Note: some dimmers require a neutral in the wallbox.

Warranty

Eaton provides a five year limited warranty on RL56 LED.

Compliance Labels

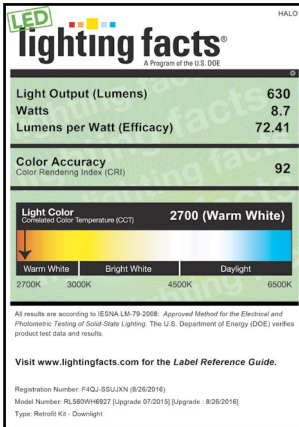
- UL Certified 1598 Luminaire with Halo housings and others – see Housing Compatibility
- UL Certified for Damp Location
- IP56 Ingress Protection rated
- May be installed in housings in direct contact with insulation** and combustible material

Compliance

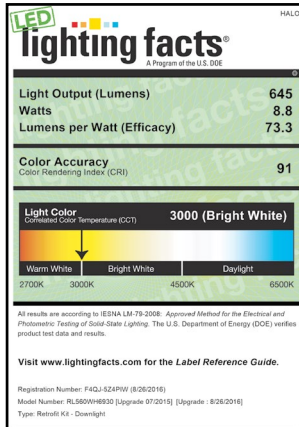
- Airtight certified per ASTM E283 (not exceeding 2.0 CFM under 75 Pascals pressure difference)
- 90 CRI: Can be used to comply with California Title 24 High Efficacy requirements. Certified to California Title 20 Appliance Efficiency Database.*
- Can be used for International Energy Conservation Code (IECC) high efficiency luminaire compliance.
- Suitable for use in closets. Compliant with NFPA 70, NEC Sec. 410.16 (A)(1) and 410.16 (C)(3).
- ENERGY STAR® Certified luminaire – consult ENERGY STAR® Certified Product List*
- EMI/RFI per FCC 47CFR Part 15 Class B Consumer limits, suitable for use in residential and commercial installations
- Contains no mercury or lead and RoHS compliant.
- Photometric testing in accordance with IES LM-79
- Lumen maintenance projections in accordance with IES LM-80 and TM-21

Lighting Facts

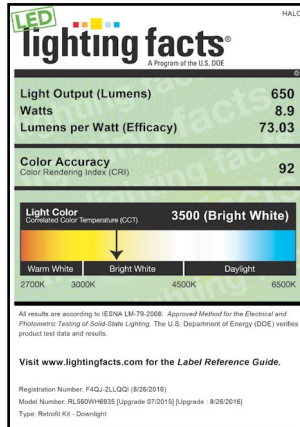
RL560WH6927
2700K Source



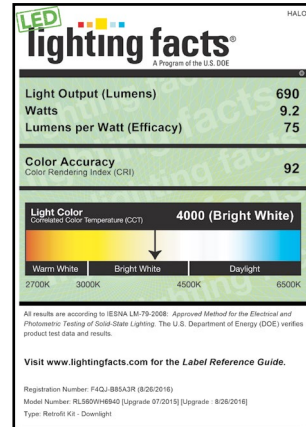
RL560WH6930
3000K Source



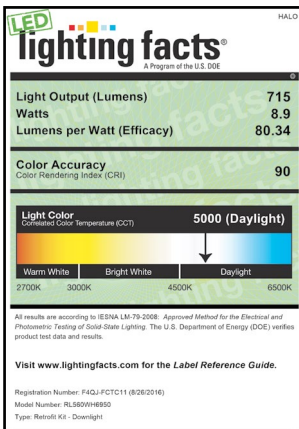
RL560WH6935
3500K Source



RL560WH6940
4000K Source



RL560WH6950
5000K Source



| | | | | | |
|-------------|--|-----------|--|------|--|
| Project | | Catalog # | | Type | |
| Prepared by | | Notes | | Date | |



HALO

RL56 | LED 600 Series

5"/6" LED Recessed Retrofit Module-Trim

Typical Applications

Residential

Interactive Menu

- Order Information [page 2](#)
- Product Specifications [page 3](#)
- Photometric Data [page 4](#)
- Energy & Performance Data [page 4](#)
- Product Warranty

Top Product Features

- ENERGY STAR® certified
- 90 CRI: 2700K, 3000K, 3500K, 4000K, or 5000K CCT
- Lumens: 600, 900, 1200
- Retrofits existing 5 or 6" housings with screwbase adapter included"
- Use with 5 and 6" LED housings – new construction and remodel"

Product Certification

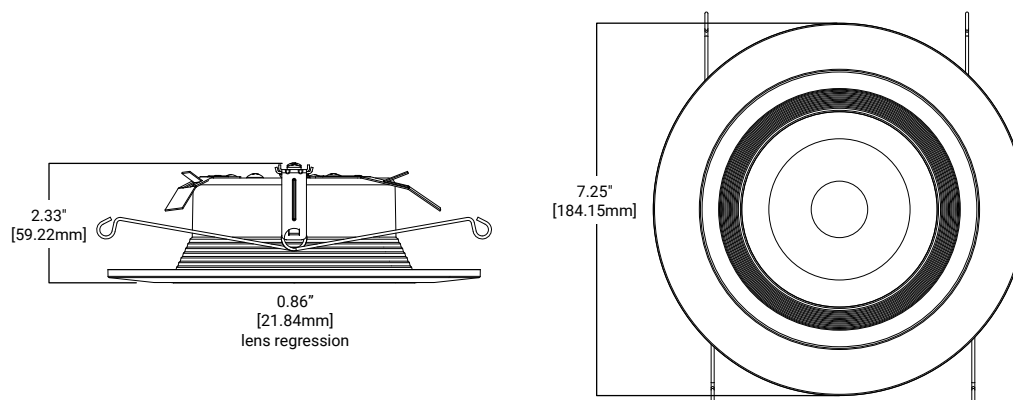


Refer to ENERGY STAR® Certified Products List.
Can be used to comply with California Title 24 High Efficacy requirements.
Certified to California Appliance Efficiency Database under J48.

Product Features



RL56 Dimensions




[additional product diagrams](#)

Order Information

SAMPLE ORDER NUMBER: **RL560WH6927-RL56TRMWHB**

Complete unit includes a RL56 Baffle-Trim LED Module and a 5" or 6" compatible housing, ordered separately. Optional accessory designer trim ring ordered separately.

| RL56 600 Series | Accessories (order separately) |
|---|---|
| RL56 600 Series | Accessories (order separately) |
| <p>RL560WH6927= 5"/6" Retrofit Baffle - Trim LED Module, 90CRI, 2700K, Matte White RL560WH6930= 5"/6" Retrofit Baffle - Trim LED Module, 90CRI, 3000K, Matte White RL560WH6935= 5"/6" Retrofit Baffle - Trim LED Module, 90CRI, 3500K, Matte White RL560WH6940= 5"/6" Retrofit Baffle - Trim LED Module, 90CRI, 4000K, Matte White RL560WH6950= 5"/6" Retrofit Baffle - Trim LED Module, 90CRI, 5000K, Matte White</p> | <p>Designer Trims RL56TRMSNB= 5/6" Satin Nickel Trim Ring, Baffle RL56TRMTBZB= 5/6" Tuscan Bronze Trim Ring, Baffle RL56TRMWHB= 5/6" White Paintable Trim Ring, Baffle RL56TRMMBB= 5/6" Matte Black Trim Ring, Baffle RL56TRMSN= 5/6" Satin Nickel Trim Ring RL56TRMTBZ= 5/6" Tuscan Bronze Trim Ring RL56TRMWH= 5/6" White Paintable Trim Ring RL56TRMMB= 5/6" Matte Black Trim Ring OT400P= Oversize Flat White Metal Trim Ring 6" I.D. x 9-1/4" O.D. (ring slips behind RL56 ring, in stepped configuration) OT403P= Oversize White Plastic Trim Ring 6" I.D. x 8" O.D. (ring slips behind RL56 ring, in stepped configuration) TRM690WH= Oversize Matte White Metal Trim Ring. Designed for RL560 ring to inset into oversize ring for an even (non-stepped) trim surface HE26LED= Replacement screw base adapter (one included with unit)</p>  <p>E26 Screw base adapter for retrofit (included)</p> |

Housing Compatibility

Compatible Halo LED Housings with LED luminaire connector (high-efficacy compliant)

| | |
|---|--|
| <p>Halo LED 5-inch H550ICAT= 5" LED, Insulated Ceiling, Air-Tite, New Construction Housing H550RICAT= 5" LED, Insulated Ceiling, Air-Tite, Remodel Housing E550ICAT= 5" LED, Insulated Ceiling, Air-Tite, New Construction Housing E550RICAT= 5" LED, Insulated Ceiling, Air-Tite, Remodel Housing</p> | <p>Halo LED 6-inch H750ICAT= 6" LED, Insulated Ceiling, Air-Tite, New Construction Housing H750RICAT= 6" LED, Insulated Ceiling, Air-Tite, Remodel Housing H750T= 6" LED, Non-IC, Air-Tite, New Construction Housing H750TCP= 6" LED, Non-IC, New Construction/Remodel Chicago Plenum Housing H750RINTD010= 6" LED, Non-IC, New Construction/Remodel Chicago Plenum Housing H2750ICAT= 6" LED, Shallow, Insulated Ceiling, Air-Tite, New Construction (use with 691X, 694X, 696X trims only) H2750RICAT= 6" LED, Shallow, Insulated Ceiling, Air-Tite, Remodel (use with 691X, 694X, 696X trims only) E750ICAT= 6" LED, Insulated Ceiling, Air-Tite, New Construction Housing E750RICAT= 6" LED, Insulated Ceiling, Air-Tite, Remodel Housing</p> |
|---|--|

Housing Compatibility

Halo LED Retrofit Enclosures

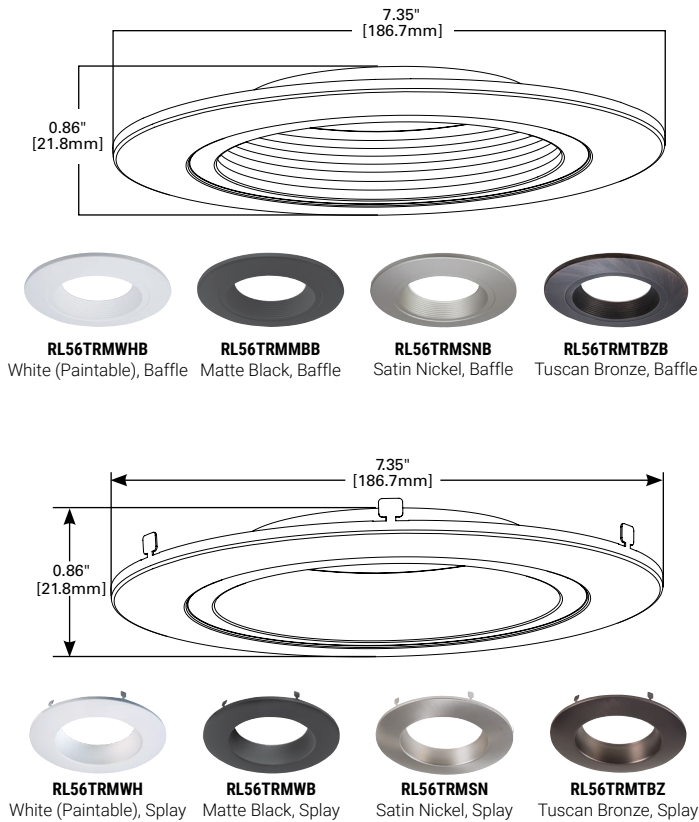
| | |
|---|--|
| <p>Halo LED retrofit ML7BRXFK= 6" Retrofit Enclosure, Non-IC, BX Whip ML7E26RFK= 6" Retrofit Enclosure, Non-IC, E26 Screw base Interface</p> | |
|---|--|

Housing Compatibility

Compatible Halo Incandescent E26 Screwbase Housings

| | |
|---|---|
| <p>Halo Standard Housings 5-inch H5ICAT= 5" Insulated Ceiling, Air-Tite New Construction Housing H5RICAT= 5" Insulated Ceiling, Air-Tite Remodel Housing H5ICATNB= 5" Insulated Ceiling, Air-Tite New Construction Housing, No Socket Bracket H5T= 5" Non-IC, New Construction Housing H5RT= 5" Non-IC, Remodel Housing H25ICAT= 5" Shallow, Insulated Ceiling, Air-Tite New Construction H25ICATNB= 5" Shallow, Insulated Ceiling, Air-Tite New Construction, No Socket Bracket H5TNB= 5" Non-IC, New Construction Housing, No Socket Bracket E5ICAT= 5" Insulated Ceiling, Air-Tite New Construction Housing E5RICAT= 5" Insulated Ceiling, Air-Tite Remodel Housing E5ICATNB= 5" Insulated Ceiling, Air-Tite New Construction Housing, No Socket Bracket E5TAT= 5" Non-IC, New Construction Housing E5RTAT= 5" Non-IC, Remodel Housing E5TATNB= 5" Non-IC, New Construction Housing, No Socket Bracket</p> <p>Halo Standard Housings 6-inch H7ICAT= 6" Insulated Ceiling, Air-Tite New Construction Housing H7RICAT= 6" Insulated Ceiling, Air-Tite Remodel Housing H7ICT= 6" Insulated Ceiling, New Construction Housing H7RICT= 6" Insulated Ceiling, Remodel Housing H7ICATNB= 6" Insulated Ceiling, Air-Tite New Construction Housing, No Socket Bracket</p> | <p>H7ICTNB= 6" Insulated Ceiling, New Construction Housing, No Socket Bracket H7T= 6" Non-IC, New Construction Housing H7RT= 6" Non-IC, Remodel Housing H7TNB= 6" Non-IC, New Construction Housing, No Socket Bracket H7TCP= 6" Non-IC, Chicago Plenum, New Construction/Remodel Housing H7UICAT= 6" Insulated Ceiling, Universal, Air-Tite, New Construction Housing H27ICAT= 6" Shallow, Insulated Ceiling, Air-Tite New Construction H27RICAT= 6" Shallow, Insulated Ceiling, Air-Tite Remodel Housing H27T= 6" Shallow, Non-IC, New Construction Housing H27RT= 6" Shallow, Non-IC, Remodel Housing E27ICAT= 6" Shallow, Insulated Ceiling, Air-Tite New Construction E27RICAT= 6" Shallow, Insulated Ceiling, Air-Tite Remodel Housing E27TAT= 6" Shallow, Non-IC, New Construction Housing E27RTAT= 6" Shallow, Non-IC, Remodel Housing E7ICAT= 6" Insulated Ceiling, Air-Tite New Construction Housing E7RICAT= 6" Insulated Ceiling, Air-Tite Remodel Housing E7ICATNB= 6" Insulated Ceiling, Air-Tite New Construction Housing, No Socket Bracket E7TAT= 6" Non-IC, New Construction Housing E7RTAT= 6" Non-IC, Remodel Housing E7TATNB= 6" Non-IC, New Construction Housing, No Socket Bracket</p> |
|---|---|

Designer Trim Dimensions



Energy Data

| RL56 Series (Values at non-dimming line voltage) | |
|--|--|
| Minimum Starting Temp: -30°C (-22°F) | |
| EMI/RFI: FCC Title 47 CFR, Part 15, Class B (Consumer) | |
| Sound Rating: Class A | |
| Input Voltage: 120V | |
| Power Factor: >0.90 | |
| Input Frequency: 60Hz | |
| THD: <20% | |
| Input Power: 7.6W – RL560WH6827 7.3W – RL560WH6830, RL560WH6835, RL560WH6840 9.7W – RL560WH6927 8.7W – RL560WH6930, RL560WH6940 9.0W – RL560WH6935 | |
| Input Current: 0.15A | |
| Maximum IC (Insulated Ceiling) Ambient Continuous Operating Temperature: 25°C (77°F) | |
| Maximum Non-IC Ambient Continuous Operating Temperature 40°C (104°F) | |

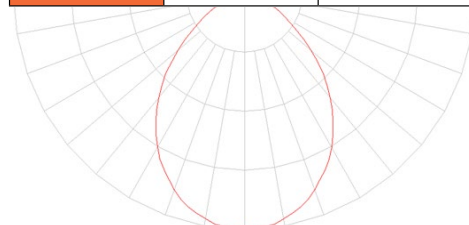
Product and Photometric Data

RL56 - 600 Series

| Cat No. | CRI | CCT | Lumens | Power (W) | LPW |
|-------------|-----|------|--------|-----------|-----|
| RL560WH6927 | 92 | 2700 | 630 | 8.7 | 72 |
| RL560WH6930 | 91 | 3000 | 645 | 8.8 | 73 |
| RL560WH6935 | 92 | 3500 | 650 | 8.9 | 73 |
| RL560WH6940 | 92 | 4000 | 690 | 9.2 | 75 |
| RL560WH6950 | 90 | 5000 | 715 | 8.9 | 80 |

RL56-600 Series Photometric*

| RL560WH6930 | | |
|-----------------------|----------|----------|
| Luminaire lumens | | 645 |
| Input watts | | 8.8 |
| LER (LPW) | | 73.3 |
| Spacing Criteria | 0-180 | 1.14 |
| | 90-270 | 1.14 |
| | Diagonal | 1.22 |
| Beam angle (degrees) | | 87.8 |
| Field angle (degrees) | | 139 |
| Zonal lumen | Lumens | % Lumens |
| 0-30 | 240 | 37.2 |
| 0-40 | 375 | 58.2 |
| 0-60 | 577 | 89.4 |
| 0-90 | 645 | 100 |



* Tested in accordance with IES LM63. Field results may vary.

Product Specifications

Mechanical

Module - Trim

- Module construction includes LED, heat sink, reflector, lens, baffle and trim ring
- Regressed baffle
- Heat sink designed to conduct heat away from the LED keeping the junction temperatures below specified maximums, even when installed in insulated ceiling environments. L70 at 50,000 hours.
- Designer trim finish options (sold separately)
 - White (Paintable) Trim Ring
 - Satin Nickel Trim Ring
 - Tuscan Bronze Trim Ring

Lens

- Regressed lens
- Impact-resistant polycarbonate
- Convex form for lamp-like appearance
- Diffusing for even illumination

Mounting

- Integral torsion springs and Push-N-Twist clips offer two mounting options
 - Torsion springs are pre-installed and adjust to fit 5" or 6" compatible housings
 - Push-N-Twist universal installation clips are pre-installed and designed to fit 5" or 6" compatible housings

Housing Compatibility

See Housing Compatibility

LED

- Color Temperature (CCT)† Options:
 - 90 CRI: 2700K, 3000K, 3500K, 4000K, and 5000K
- Can be used to comply with California Title 24 High Efficacy requirements. Certified to California Appliance Efficiency Database under JA8.

LED Chromaticity

- A tight chromaticity specification ensures LED color uniformity, sustainable Color Rendering Index (CRI) and Correlated Color Temperature (CCT) over the useful life of the LED
- LED chromaticity of 3 SDCM exceeds ENERGY STAR® color standards per ANSI C78.377- 2008
- High color performance with R9 greater than 50
- Every Halo LED is quality tested, measured, and serialized in a permanent record to register lumens, wattage, CRI and CCT
- Halo LED serialized testing and measurement ensures color and lumen consistency on a
- per-unit basis, and validates long-term product consistency over time

Electrical

Power Connections

- LED connector is a non-screw base luminaire disconnect offering easy installation with the matching Halo 5" and 6" LED housings
- LED Connector meets California Title-24 high

efficacy luminaire requirement for a non-screw base socket, and where required to qualify as a high efficacy luminaire

- The included E26 medium screw-base Edison adapter provides easy retrofit of incandescent housings (see Housing Compatibility)

Ground Connection

- Separate grounding cable included
- on the module for attachment to the
- housing during installation.

LED Driver

- With the latest "driver-on-board" electronic technology, the driver is integrated in the module.
- 120V 50/60 Hz constant current dimmable driver provides high-efficiency operation
- Driver meets FCC 47CFR Part 15 EMI/RFI consumer limits for use in residential and commercial installations
- Driver features high power factor and low THD and has integral thermal protection in the event of over temperature or internal failure
- If dimming is not required the fixture can be operated from a standard wall switch

Dimming

- Designed for continuous dimming capability to nominally 5% with many 120V Leading Edge (LE) and Trailing Edge (TE) Phase Control dimmers. (Dimmers with low end trim adjustment offer greater assurance of achieving 5% level.)
- Consult dimmer manufacturer for compatibility and conditions of use Note: some dimmers require a neutral in the wallbox.

Warranty

Eaton provides a five year limited warranty on RL56 LED.

Compliance Labels

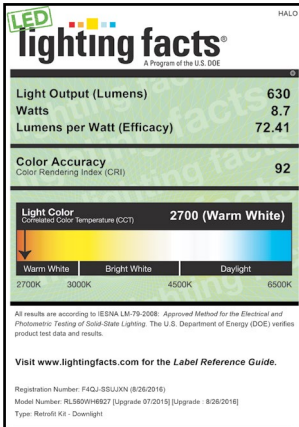
- UL Certified 1598 Luminaire with Halo housings and others – see Housing Compatibility
- UL Certified for Damp Location
- IP56 Ingress Protection rated
- May be installed in housings in direct contact with insulation** and combustible material

Compliance

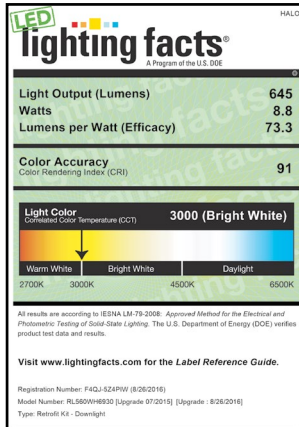
- Airtight certified per ASTM E283 (not exceeding 2.0 CFM under 75 Pascals pressure difference)
- 90 CRI: Can be used to comply with California Title 24 High Efficacy requirements. Certified to California Title 20 Appliance Efficiency Database.*
- Can be used for International Energy Conservation Code (IECC) high efficiency luminaire compliance.
- Suitable for use in closets. Compliant with NFPA 70, NEC Sec. 410.16 (A)(1) and 410.16 (C)(3).
- ENERGY STAR® Certified luminaire – consult ENERGY STAR® Certified Product List*
- EMI/RFI per FCC 47CFR Part 15 Class B Consumer limits, suitable for use in residential and commercial installations
- Contains no mercury or lead and RoHS compliant.
- Photometric testing in accordance with IES LM-79
- Lumen maintenance projections in accordance with IES LM-80 and TM-21

Lighting Facts

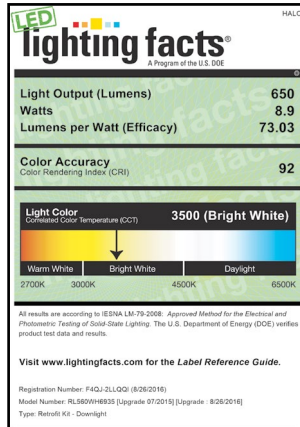
RL560WH6927
2700K Source



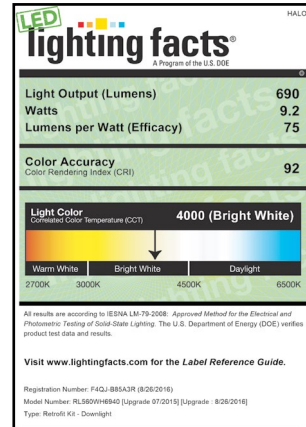
RL560WH6930
3000K Source



RL560WH6935
3500K Source



RL560WH6940
4000K Source



RL560WH6950
5000K Source

