

Project		Catalog #		Type	
Prepared by		Notes		Date	



HALO

NightLight RL6-DM

6" Night Light LED Retrofit Direct Mount
w/ Remote Driver/Junction Box
1000 Lumen Series

Typical Applications

Residential

Product Certification



Refer to ENERGY STAR® Certified Products List.
Can be used to comply with California Title 24 High Efficiency requirements.
Certified to California Appliance Efficiency Database under JAB.

Product Features



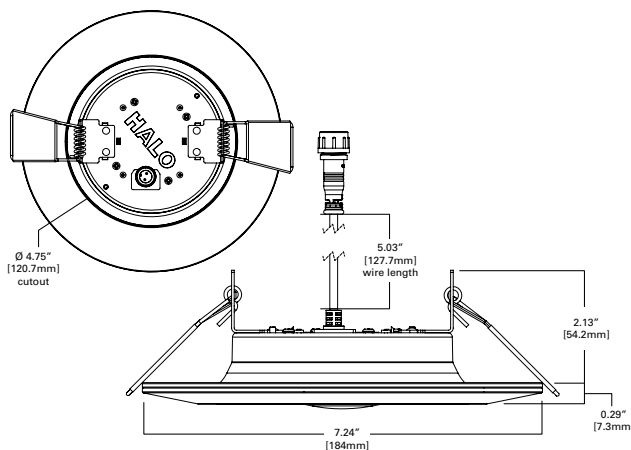
Interactive Menu

- Order Information page 2
- Product Specifications page 3
- Photometric Data page 4
- Energy & Performance Data page 4
- Product Warranty

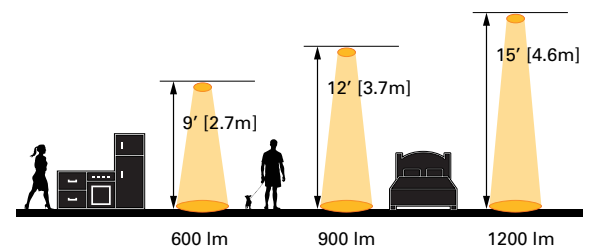
Top Product Features

- 6" LED Direct Mount Night Light with Field Selectable CCT
- Direct mount - does not require recessed housing or junction box
- Select from 5 CCTs via switch: 2700K, 3000K, 3500K, 4000K, 5000K CCT
- Night light provides soft glow at 2000K CCT
- Wet location listed for showers and protected ceilings
- Dimmable to 5% with 120V dimmers

Dimensional and Mounting Details



Scale



additional product diagrams

Order Information

SAMPLE ORDER NUMBER: **RL6069NLWHDMR**

A complete luminaire consists of an LED module and remote driver/junction box.

Models	CRI/CCT	Finish	Mounting	Packaging
RL606 = 6" All-Purpose Retrofit LED module, 1000 lumens (nominal)	9NL = 90 CRI minimum, 2000K Night Light and white tuning, selectable CCT 2700K-5000K	WH = Matte white baffle	DM = Direct Mount	R = recyclable 4-color unit carton suitable for point of purchase merchandising display
Notes	Notes	Notes	Notes	Notes

Accessories

Accessories

Mounting Frame

HL6RSMF = 6" round and square mounting frame

Extension Cable | seleCCTable Driver/Jbox

HLB06FSEC - 6 ft. extension cable

HLB12FSEC - 12 ft. extension cable

HLB20FSEC - 20 ft. extension cable

Light Modes

Flip wall switch On/Off/On under 1.5 seconds to change light mode.

Downlight



Night Light



Product Specifications

Night Light System

- Choose mode of light based on toggle of light switch

NIGHTLIGHT MODE:

- With wall switch in 'ON' position (downtlight on), cycle wall switch 'OFF' and back to 'ON' within 0.2-1.5 seconds. Fixture should illuminate in nightlight mode.
- Fixture will default back to downtlight mode when wall switch is cycled 'OFF' then 'ON'.

DOWNLIGHT MODE:

- Cycle wall switch to 'ON' position to turn on downtlight.
- Cycle wall switch to 'OFF' position to turn off downtlight.

CCT Select System

- SeleCCTable models use the switch to choose between 2700K, 3000K, 3500K, 4000K, and 5000K CCT

Module - Trim

- Module construction includes LED Array, heat sink, reflector, lens, baffle/trim ring and ceiling ring
- Regressed baffle
- Heat sink designed to conduct heat away from the LED array

LED Array

- Mid power LED array provides a uniform source with high efficiency and no pixilation
- 90 CRI minimum, R9 greater than 50
- Color accuracy within 3 SDCM at the CCT endpoints and 4 SDCM in between endpoints, provide color accuracy and uniformity.
- Color Temperature (CCT) has an selectable range from 2700K to 5000K (factory default 3000K)

Optical Assembly

- Regressed lens
- Impact-resistant polycarbonate
- Convex form and lamp-like appearance
- Diffuse for even illumination

Remote Driver/ Junction Box

- Aluminum driver / junction box with captive hinged junction box cover
- Listed for (6) #12 AWG 90° C splice conductors, 2-in, 2-out plus (2) ground
- (2) ½" conduit pry-outs
- (2) Slide-N-Side™ non-metallic (NM) wire traps all
- Accepts 14-2, 14-3, 12-2, 12-3 U.S and 14-2, 14-3, 12-2 Canadian NM cable
- (3) 4-port push wire nuts with clear caps for quick and reliable mains voltage connections
- Integral keyhole mounting slots facilitate direct mounting to building structure or new construction mounting frame

Driver

- Remote 120V 60 Hz constant current driver provides noise free operation
- Continuous, flicker-free dimming from 100% to 5%.
- Plenum rated inline electrical quick connect provides low voltage connection to fixture fitting

Installation

- Can be installed in 1/2" to 1-1/4" thick ceilings
- Cutout can utilize standard round hole saw sizes, cutout template provided
- Heat treated springs hold fixture fitting securely in the ceiling eliminating light leaks
- Can be removed from below the ceiling for service or replacement

Mounting / Retention

- The RL-DM requires no housing or third party junction box
- The remote enclosure may be used in direct contact with insulation
- Installer must cut template out of drywall and install into aperture with the clips compressed
- When released, the spring clips will rest on to the back side of the drywall
- Not for installation in recessed cans

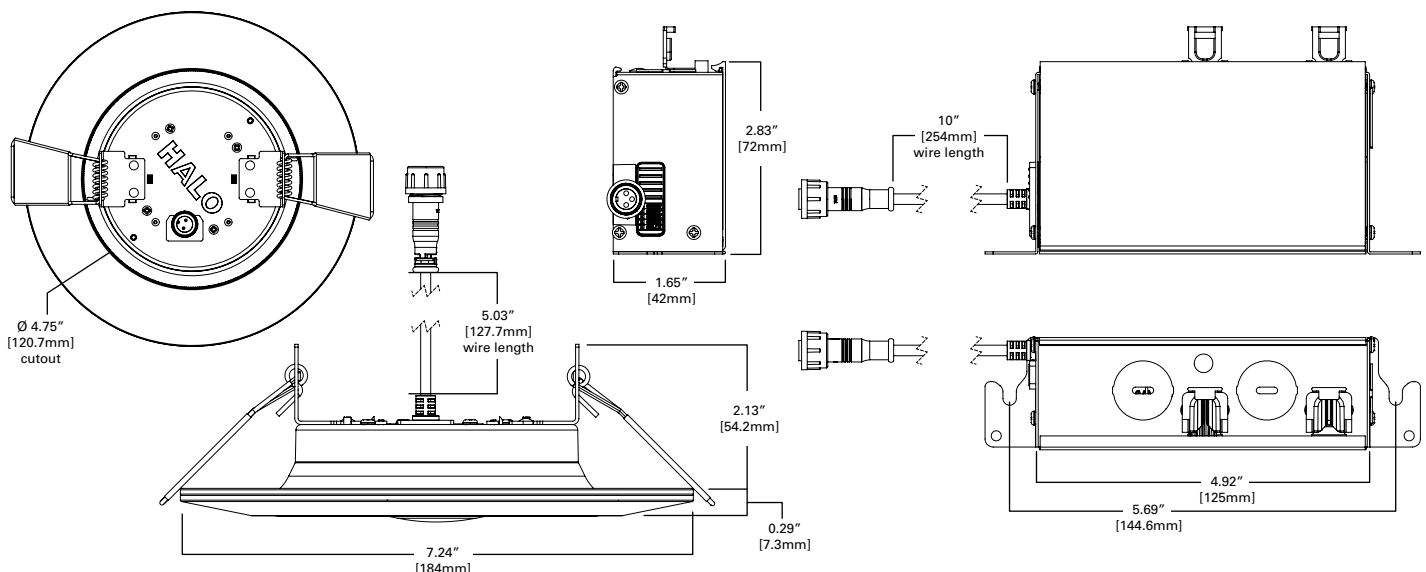
Compliance

- UL Certified for US and Canada
- Wet and Damp location listed
- Airtight certified per ASTM-E283
- Suitable for use in closets when installed in accordance with the NEC 410.16 spacing requirements
- EMI/RFI emissions per FCC 47CFR Part 15 consumer limits
- Contains no mercury or lead and is RoHS compliant
- Photometric testing in accordance with IES LM- 79-08
- Lumen maintenance projections in accordance with IES LM-80-08 and TM-21-11
- Complies with State of California Title 24 JA8-2019-E as a high efficacy luminaire
- International Energy Conservation CoDe (IECC) and Washington State Energy Code compliant
- ENERGY STAR® listed, reference database for current listings

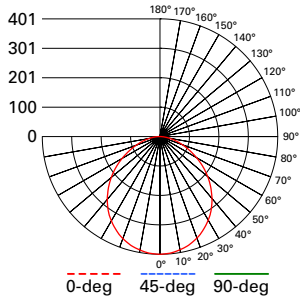
Warranty

- Five year limited warranty, consult website for details. www.cooperlighting.com/legal

Dimensional and Mounting Details



Photometric Data



RL6069NLWHDMR-3000K

Spacing criterion: (0-180) 1.22
(90-270) 1.22
(Diagonal) 1.32

Beam Angle: 104°

Field Angle: 158.1°

Lumens: 1040.9

Input Watts: 11.5 W

Efficacy: 90.5 LPW

Test Report:
RL4069S1EWHR-3000K.ies

Zonal Lumen	Lumens	% Lumens
0-30	308	30
0-40	499	48
0-60	850	82
0-90	1041	100

TM-30-15	Rf = 95
	Rg = 101
CRI/CIE	Ra = 94
	R9 = 68

CCT - Range of 2700K- 5000K



104°

Energy Data

Energy Data @ 3000K	
Lumens	600 Series
Input Voltage	120V
Input Current	98 (mA)
Input Power	11.5 (W)
Efficiency	90.4 (LPW)
Inrush (A)	1.35 (A)
THD: ≤ 20%	
PF: ≥ 0.90	
T Ambient -30 - +40°C	
Sound Rating ≤ 22dBA	

RL6-DM	CCT	Lumens	Power (W)	LPW
Field Selectable CCT	2700K	1005	11.5	87.4
	3000K	1040	11.5	90.4
	3500K	1065	11.5	92.6
	4000K	1085	11.5	94.3
	5000K	1115	11.5	97.0

Product Specifications

RL6069NLWHDMR

PRODUCT SPECIFICATIONS	
Lumens	1040
Watts	11.5
Lumens Per Watt (Efficacy)	90.4
Color Accuracy (CRI)	94
Light Color (CCT) Correlated Color Temperature (CCT)	3000K
	2700K 3000K 4500K 6500K