

400AMP

Features

Service Equipment

- UL Listed “Suitable for use as service equipment” (Panelboard No. 67 and Meter Sockets No. 414).
- Units supplied with factory installed main breakers rated 22KAIC where applicable.
- Units available with or without load center with 8 circuit models being standard. Other configurations available, Consult Manufacturer.
- Load centers are provided with copper bus, 22 KAIC bus bracing, and 100% neutral terminations. Feed-through lugs provided on load centers with main breakers.
- 320 amp continuous duty meter socket, available in ring-type, K-4 bolt on, or ringless (lever bypass).
- All terminals accept copper or aluminum wire for added installation flexibility.
- Utility meter socket compartment has barrier from main circuit breakers for utility power protection.
- Provided with factory-installed flange for easy semi-flush or surface installation.
- Heavy galvanized “G90” steel with highest quality powder coat finish that resists corrosion and fading, NEMA 3R.
- Underground feed only, series wired, 240V Single Phase, Branch circuits accept combinations up to 200A.
- 5th Jaw Optional - Order Model # MS5MIL
- Line side 1/2” stud termination provided, however, crimp-on/connector lug not provided by Midwest.
- No Hub Provision. Bottom Feed Only.



RS45508C

400AMP - Ring Type**

MODEL NUMBER	INSTALLED BREAKER		1st OCP Device Rating	2nd OCP Device Rating	MAX 1" C/B	WIRE RANGE*	CABINET SIZE	LOAD CENTER	UNIT WT.	STD. PKG.	UL
MS45500C	B	B	200 AMP	200 AMP	--	*	31 x 33	----	95	1	Y
MS45508C	B	B	200 AMP	200 AMP	8	*	31 x 33	8 Circuits	99	1	Y

400AMP - Ringless with Lever Bypass**

MODEL NUMBER	INSTALLED BREAKER		1st OCP Device Rating	2nd OCP Device Rating	MAX 1" C/B	WIRE RANGE*	CABINET SIZE	LOAD CENTER	UNIT WT.	STD. PKG.	UL
RS43308C	A	A	150 AMP	150 AMP	8	*	31 x 33	8 Circuits	99	1	Y
RS45500C	B	B	200 AMP	200 AMP	--	*	31 x 33	----	95	1	Y
RS45508C	B	B	200 AMP	200 AMP	8	*	31 x 33	8 Circuits	99	1	Y

* Wire Range and Knockout Configuration on page 31.

** Consult manufacturer for Florida Metering Group (FMG) approved models.

Installed Breakers:

A) CB2151H

B) CB2201H

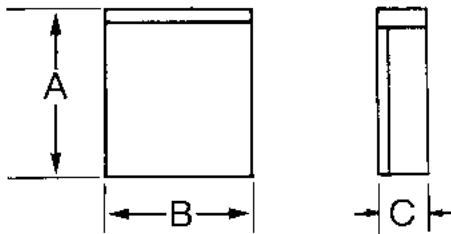
Technical Data

Service Equipment

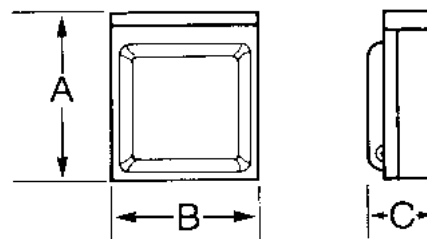
MODEL NUMBER*	HUB OPENING	REPLACEMENT PARTS		CABINET SIZE	ENCLOSURE STYLE page 28	CABINET DIMENSIONS			KNOCKOUT FIGURE page 29	AIC
		METER SOCKET	POST LUGS			HEIGHT	WIDTH	DEPTH		
						A	B	C		
R481C1P6H034	N	265A5264P8	LT200S350	6H034	See page 31					22,000
RS150C	Y	MW200R	—	17 X 26	E	26-1/4"	17-1/2"	5-1/2"	10	10,000
RS250C	Y	MW200R	—	17 X 26	E	26-1/4"	17-1/2"	5-1/2"	10	10,000
RS251C	Y	MW200R	—	17 X 26	E	26-1/4"	17-1/2"	5-1/2"	10	10,000
RS43308C	N	265A5264P10	—	31 X 33	E	33-1/10"	30-1/2"	6-1/10"	P. 32	22,000
RS45500C	N	265A5264P10	—	31 X 33	E	33-1/10"	30-1/2"	6-1/10"	P. 32	22,000
RS45508C	N	265A5264P10	—	31 X 33	E	33-1/10"	30-1/2"	6-1/10"	P. 32	22,000
U101C	Y	—	—	9 X 17	B	17-3/8"	9-3/4"	5-3/16"	3	10,000
U101CP6	N	—	LT100S250	9PT	See page 30					10,000
U102E	Y	—	—	9 X 17	B	17-3/8"	9-3/4"	5-3/16"	3	10,000
U102EP6	N	—	LT100S250	9PT	See page 30					10,000
U180C1	Y	—	—	9 X 21	A	21-3/4"	9-5/16"	4-3/4"	11	22,000
U181C1	Y	—	—	9 X 21	A	21-3/4"	9-5/16"	4-3/4"	11	22,000
U208C	Y	—	—	14 X 21	B	21-3/8"	14-3/4"	6-7/16"	5	10,000
U208CP6HP	N	—	LT200S350	14HP	See page 30					10,000
U254C	Y	—	—	14 X 21	A	21-3/8"	14-3/4"	6-7/16"	*	10,000
U280C1	Y	—	—	9 X 21	A	21-3/4"	9-5/16"	4-3/4"	11	22,000
U281C1	Y	—	—	9 X 21	A	21-3/4"	9-5/16"	4-3/4"	11	22,000
U281C1P6H	Y	—	LT200S350	6H	See page 31					22,000
U281E1	Y	—	—	9 X 21	A	21-3/4"	9-5/16"	4-3/4"	11	22,000
U281E1P6H	Y	—	LT200S350	6H	See page 31					22,000
U354C	Y	—	—	9 X 17	B	17-3/8"	9-3/4"	5-3/16"	1	10,000
UL412RMW	Y	—	—	7 X 10	A	10"	7-1/4"	4"	2	10,000

* Not all models listed; contact local representative for other models and details.

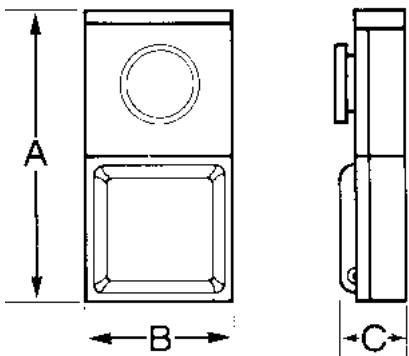
Cabinet Dimensions



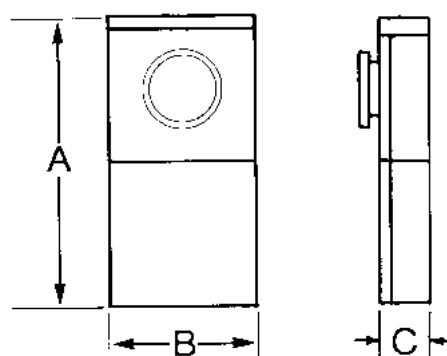
(Fig. A)



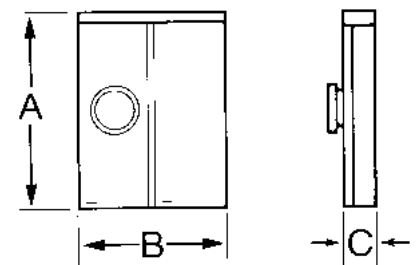
(Fig. B)



(Fig. C)



(Fig. D)



(Fig. E)