

# Accessories

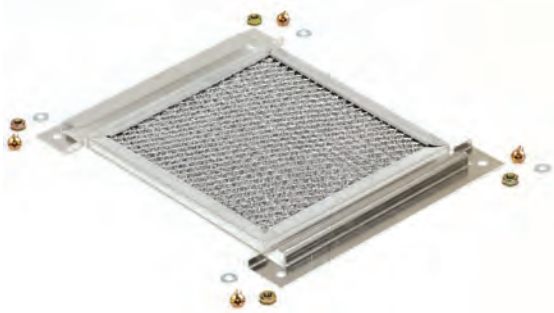
## Bolt-On Accessories

Illustration Sheet and Catalog Number

Discount Schedule: C2

Subclass: DSO

## Filters & Filter Adhesive



Designed for use with Louver Plate Kits. The Filter mounts securely inside of the enclosure using the brackets and hardware furnished with the kit. The Filter is comprised of finely woven aluminum strips which offers protection against airborne dust and dirt. Periodic washing with warm water is needed to keep the Filter clean. For best results, coating with Cooper B-Line Systems Air Filter Adhesive is recommended.

Filters	
Filter Catalog Number	Used with Louver Plate Catalog Number
FLT33	LPK33
FLT34	LPK34
FLT43	LPK43
FLT44	LPK44
FLT64	LPK64
FLT66	LPK66
FLT84	LPK84
FLT86	LPK86
FLT88	LPK88
FLT812	LPK812

## Filter Adhesive



Filter Adhesive	
Catalog Number	Description
FAS-412	14 oz. Aerosol Spray

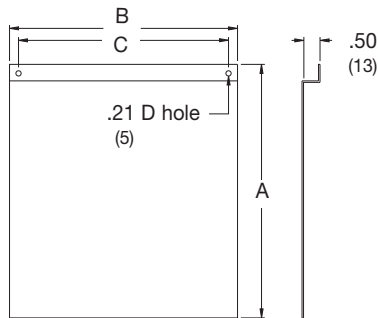
Use the filter adhesive to help increase efficiency of air filters. The adhesive spray helps trap small particles that normally pass through the filter and helps protect the elements within.

**Notes:** Dimensions are in inches. Millimeters shown are for reference only. Data subject to change without notice.

## Bolt-On Accessories Illustration Sheet and Catalog Number

Discount Schedule: C2  
Subclass: DSO

### Baffle Plates



Baffle Plate Catalog Number	A		B		C		Used with Louver Plate Catalog Number
	in.	mm	in.	mm	in.	mm	
BP23	3.25	83	3.25	83	2.50	64	LKP23
BP33	3.87	98	4.50	114	3.75	95	LPK33
BP34	4.75	121	4.50	114	3.75	95	LPK34
BP43	4.50	114	5.50	140	4.75	121	LPK43
BP44	5.62	143	5.50	140	4.75	121	LPK44
BP64	5.12	130	7.50	191	6.75	171	LPK64
BP66	7.37	187	7.50	191	6.75	171	LPK66
BP84	5.31	135	9.50	241	8.75	222	LPK84
BP86	7.68	195	9.50	241	8.75	222	LPK86
BP88	10.06	256	9.50	241	8.75	222	LPK88
BP812	14.81	376	9.50	241	8.75	222	LPK812

Baffle Plates are intended to be used with Louver Plates when it is necessary to prevent direct access into the enclosure through the louver opening. The plate is designed to mount to the inside of the enclosure using the same cut-out and mounting holes required to mount the Louver Plate Kit. Plates are (16) gauge steel and have an ANSI 61 gray polyester powder finish. UL Listed.

### Hole Seals



Painted Steel - U.L. listed as Type 3R, 12, 13, & 4



Stainless Steel - U.L. listed as Type 4X

Oil-Tight Hole Seals							
Catalog Number		Application	Max. Hole Diameter		Hole Seal Diameter		
Steel	Stainless		in.	mm	in.	mm	
SPBG	SPBGSS	Miniature oil-tight pushbutton holes	0.88	22	1.22	31	
SPB	SPBSS	Standard oil-tight pushbutton holes	1.25	32	1.75	44	
S050	S050SS	1/2-inch conduit holes	.88	22	1.38	35	
S075	S075SS	3/4-inch conduit holes	1.06	27	1.56	40	
S100	S100SS	1-inch conduit holes	1.38	35	1.88	48	
S125	S125SS	1 1/4-inch conduit holes	1.69	43	2.19	56	
S150	S150SS	1 1/2-inch conduit holes	2.00	51	2.50	64	
S200	S200SS	2-inch conduit holes	2.50	64	3.00	76	
S250	S250SS	2 1/2-inch conduit holes	3.00	76	3.50	89	
S300	S300SS	3-inch conduit holes	3.62	92	4.12	105	
S350	S350SS	3 1/2-inch conduit hole	4.12	105	4.62	117	
S400	S400SS	4-inch conduit holes	4.62	117	5.12	130	

Protects knockout openings and extra pushbutton or conduit openings from dirt, oil, dust and water. Each hole seal has oil-resistant gasketing and plated stud and wing nut. Available in steel finished with ANSI 61 polyester powder or unpainted stainless steel.

Notes: Dimensions are in inches. Millimeters shown are for reference only. Data subject to change without notice.

# Accessories

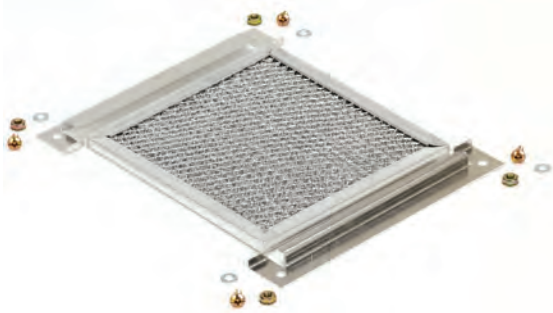
## Bolt-On Accessories

Illustration Sheet and Catalog Number

Discount Schedule: C2

Subclass: DSO

## Filters & Filter Adhesive



Designed for use with Louver Plate Kits. The Filter mounts securely inside of the enclosure using the brackets and hardware furnished with the kit. The Filter is comprised of finely woven aluminum strips which offers protection against airborne dust and dirt. Periodic washing with warm water is needed to keep the Filter clean. For best results, coating with Cooper B-Line Systems Air Filter Adhesive is recommended.

Filters	
Filter Catalog Number	Used with Louver Plate Catalog Number
FLT33	LPK33
FLT34	LPK34
FLT43	LPK43
FLT44	LPK44
FLT64	LPK64
FLT66	LPK66
FLT84	LPK84
FLT86	LPK86
FLT88	LPK88
FLT812	LPK812

## Filter Adhesive



Filter Adhesive	
Catalog Number	Description
FAS-412	14 oz. Aerosol Spray

Use the filter adhesive to help increase efficiency of air filters. The adhesive spray helps trap small particles that normally pass through the filter and helps protect the elements within.

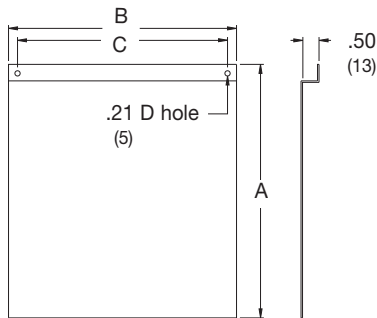
**Notes:** Dimensions are in inches. Millimeters shown are for reference only. Data subject to change without notice.

## Bolt-On Accessories

### Illustration Sheet and Catalog Number

Discount Schedule: C2  
Subclass: DSO

### Baffle Plates



Baffle Plate Catalog Number	A		B		C		Used with Louver Plate Catalog Number
	in.	mm	in.	mm	in.	mm	
BP23	3.25	83	3.25	83	2.50	64	LKP23
BP33	3.87	98	4.50	114	3.75	95	LPK33
BP34	4.75	121	4.50	114	3.75	95	LPK34
BP43	4.50	114	5.50	140	4.75	121	LPK43
BP44	5.62	143	5.50	140	4.75	121	LPK44
BP64	5.12	130	7.50	191	6.75	171	LPK64
BP66	7.37	187	7.50	191	6.75	171	LPK66
BP84	5.31	135	9.50	241	8.75	222	LPK84
BP86	7.68	195	9.50	241	8.75	222	LPK86
BP88	10.06	256	9.50	241	8.75	222	LPK88
BP812	14.81	376	9.50	241	8.75	222	LPK812

Baffle Plates are intended to be used with Louver Plates when it is necessary to prevent direct access into the enclosure through the louver opening. The plate is designed to mount to the inside of the enclosure using the same cut-out and mounting holes required to mount the Louver Plate Kit. Plates are (16) gauge steel and have an ANSI 61 gray polyester powder finish. UL Listed.

### Hole Seals



Painted Steel - U.L. listed as Type 3R, 12, 13, & 4



Stainless Steel - U.L. listed as Type 4X

Oil-Tight Hole Seals							
Catalog Number		Application	Max. Hole Diameter		Hole Seal Diameter		
Steel	Stainless		in.	mm	in.	mm	
SPBG	SPBGSS	Miniature oil-tight pushbutton holes	0.88	22	1.22	31	
SPB	SPBSS	Standard oil-tight pushbutton holes	1.25	32	1.75	44	
S050	S050SS	1/2-inch conduit holes	.88	22	1.38	35	
S075	S075SS	3/4-inch conduit holes	1.06	27	1.56	40	
S100	S100SS	1-inch conduit holes	1.38	35	1.88	48	
S125	S125SS	1 1/4-inch conduit holes	1.69	43	2.19	56	
S150	S150SS	1 1/2-inch conduit holes	2.00	51	2.50	64	
S200	S200SS	2-inch conduit holes	2.50	64	3.00	76	
S250	S250SS	2 1/2-inch conduit holes	3.00	76	3.50	89	
S300	S300SS	3-inch conduit holes	3.62	92	4.12	105	
S350	S350SS	3 1/2-inch conduit hole	4.12	105	4.62	117	
S400	S400SS	4-inch conduit holes	4.62	117	5.12	130	

Protects knockout openings and extra pushbutton or conduit openings from dirt, oil, dust and water. Each hole seal has oil-resistant gasketing and plated stud and wing nut. Available in steel finished with ANSI 61 polyester powder or unpainted stainless steel.

Notes: Dimensions are in inches. Millimeters shown are for reference only. Data subject to change without notice.