

Calbrite™

Stainless Steel Conduit Systems

Stainless Steel Beam Clamps

Features:

- Manufactured in type 316 stainless steel to meet any stringent sanitary condition
- Polished with standard "brite" finish to increase corrosion resistance and aesthetic appearance
- Set screw included
- No package qty. required

Certifications and Compliances:

Material: Body - CF8M (316)

Hardware: 316SS

Standards: ASTM A351, ASTM F593

Min. tensile strength is 485 MPa or 70 Ksi

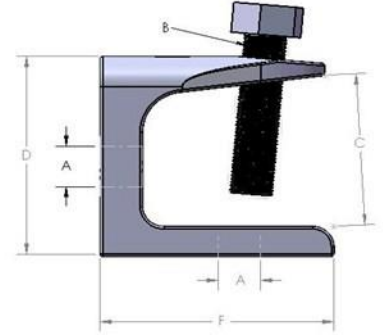


Applications:

This heavy-duty beam clamp is cast in type 316 stainless for superior strength and corrosion resistance. Designed for use to hang conduit or cables from a wall or ceiling. Attachment holes are located on the back & bottom.

Industries Commonly Served:

- Food & Beverage Production & Distribution
- Chemical Plants
- Water & Wastewater Treatment
- Pharmaceuticals & Cosmetics
- Refining & Extraction Sites
- Petrochemical Operations
- Marine & Coastal Facilities
- Pulp and Paper Mills
- Along with other corrosive environments



Size	Part Number	A	Total Jaw Opening	B	C	D	E	F	Load Rating (lbs.)	Weight ea. (lbs.)
1/4"	S60200BC00	¼"-20	1.050"	5/16"-18	1.150"	1.375"	.940"	1.220"	150	.19
3/8"	S60300BC00	3/8"-16	1.270"	½"-13	1.500"	1.800"	1.810"	1.970"	750	.75
1/2"	S60500BC00	½"-13	1.320"	5/8"-11	1.570"	2.100"	2.080"	2.230"	1100	1.30

All dimensions are for informational purposes only *Tolerances +/-5%

Calbrite™

Stainless Steel Conduit Systems

Stainless Steel Beam Clamps

Features:

- Manufactured in type 316 stainless steel to meet any stringent sanitary condition
- Polished with standard "brite" finish to increase corrosion resistance and aesthetic appearance
- Set screw included
- No package qty. required

Certifications and Compliances:

Material: Body - CF8M (316)

Hardware: 316SS

Standards: ASTM A351, ASTM F593

Min. tensile strength is 485 MPa or 70 Ksi

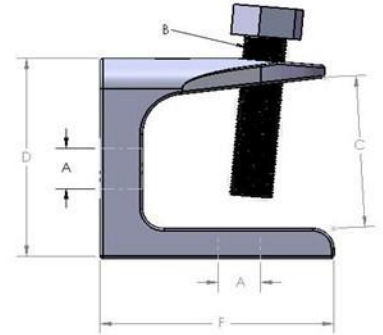


Applications:

This heavy-duty beam clamp is cast in type 316 stainless for superior strength and corrosion resistance. Designed for use to hang conduit or cables from a wall or ceiling. Attachment holes are located on the back & bottom.

Industries Commonly Served:

- Food & Beverage Production & Distribution
- Chemical Plants
- Water & Wastewater Treatment
- Pharmaceuticals & Cosmetics
- Refining & Extraction Sites
- Petrochemical Operations
- Marine & Coastal Facilities
- Pulp and Paper Mills
- Along with other corrosive environments



Size	Part Number	A	Total Jaw Opening	B	C	D	E	F	Load Rating (lbs.)	Weight ea. (lbs.)
1/4"	S60200BC00	¼"-20	1.050"	5/16"-18	1.150"	1.375"	.940"	1.220"	150	.19
3/8"	S60300BC00	3/8"-16	1.270"	½"-13	1.500"	1.800"	1.810"	1.970"	750	.75
1/2"	S60500BC00	½"-13	1.320"	5/8"-11	1.570"	2.100"	2.080"	2.230"	1100	1.30

All dimensions are for informational purposes only *Tolerances +/-5%