

# INSTALLATION INSTRUCTIONS

## SUBFEED BREAKER COVER

### 400A & 600A POW-R-XPRESS PRL1X OR PRL2X PANELBOARD

**WARNING**

DO NOT ATTEMPT TO INSTALL OR PERFORM MAINTENANCE ON EQUIPMENT WHILE IT IS ENERGIZED. DEATH, SEVERE PERSONAL INJURY, OR SUBSTANTIAL PROPERTY DAMAGE CAN RESULT FROM CONTACT WITH ENERGIZED EQUIPMENT. ALWAYS VERIFY THAT NO VOLTAGE IS PRESENT BEFORE PROCEEDING WITH THE TASK, AND ALWAYS FOLLOW GENERALLY ACCEPTED SAFETY PROCEDURES.

EATON IS NOT LIABLE FOR THE MISAPPLICATION OR MISINSTALLATION OF ITS PRODUCTS.

The user is cautioned to observe all recommendations, warnings, and cautions relating to the safety of personnel and equipment as well as all general and local health and safety laws, codes, and procedures.

**DANGER:** HAZARDOUS VOLTAGES WILL CAUSE SEVERE INJURY OR DEATH.

TURN OFF ALL POWER SUPPLYING THE PANELBOARD BEFORE INSTALLING OR REMOVING THE SWITCH OR CONNECTORS. (See inset to the left)

**NOTICE:** THESE INSTRUCTIONS ARE DESIGNED FOR USE ON 400A OR 600A POW-R-XPRESS PANELS ONLY.

SUB-FEED BREAKER OPTIONS ARE AS FOLLOWS:

- 225A BREAKER (TYPE: PDD2XF, PDD2XG, PDG2XM, PDG2XG) INSTALLED IN 400A PANEL (Ref. FIGURE 1 – Sheet 2)
- 225A BREAKER (TYPE: PDD2XF, PDD2XG, PDG2XM, PDG2XG) INSTALLED IN 600A PANEL (Ref. FIGURE 2 – Sheet 2)
- 400A BREAKER (TYPE: PDD3XG, PDG3XG, PDG3XM) INSTALLED IN 600A PANEL (Ref. FIGURE 3 for Top Mounted, FIGURE 4 for Bottom Mounted – Sheet 3)

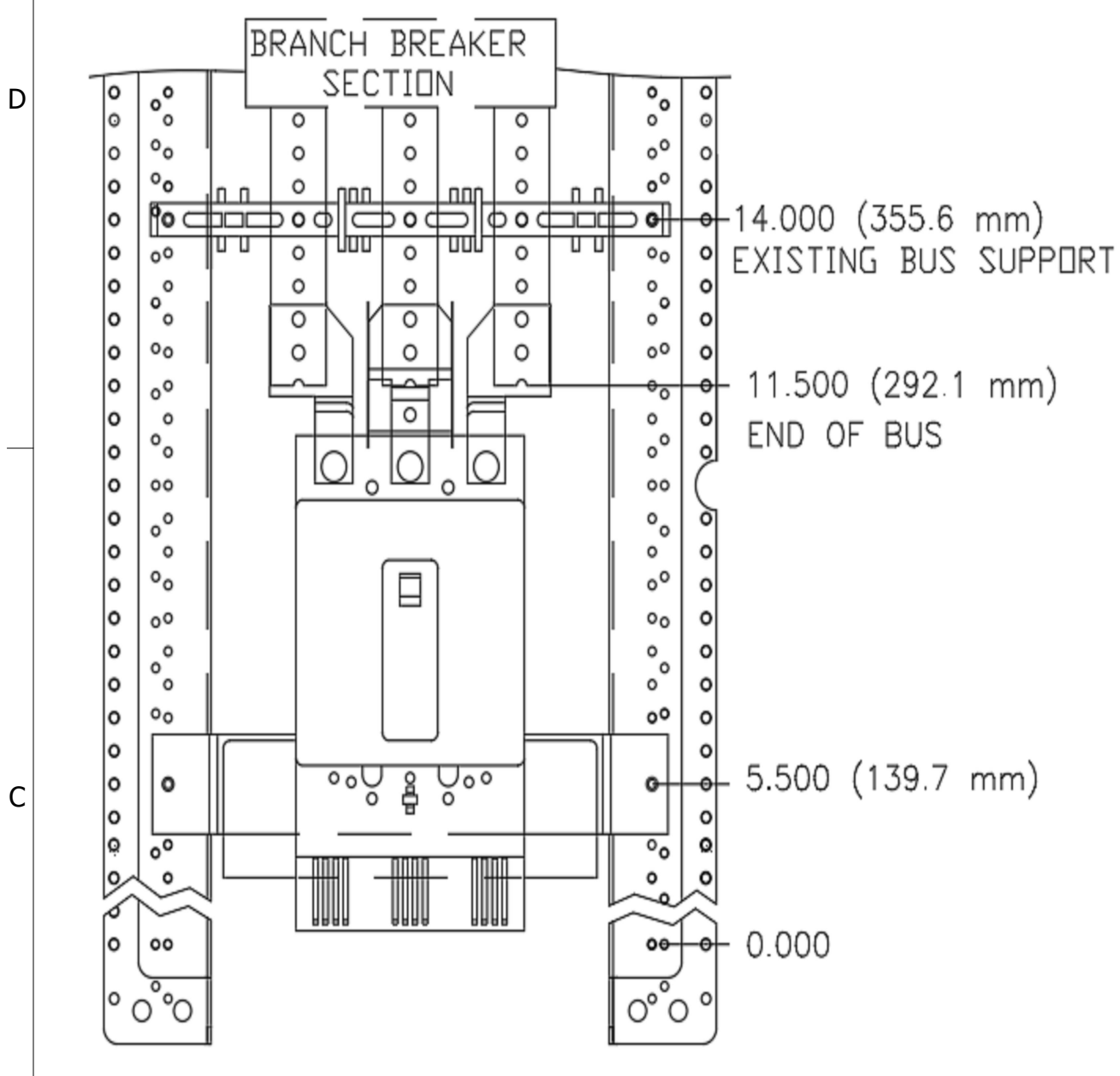
**PARTS REQUIRED:**

- (1) Breaker Kit
- (1) Sub-Feed Breaker Cover(s) – as described per application

1. Use a tester to be sure that no voltage is present on the panelboard.
2. Remove trim if necessary.
3. Remove Deadfront Cover Assembly.
4. Place and install breaker assembly onto panelboard per instructions received in Breaker Kit.
5. Install new breaker cover in the Deadfront Cover Assembly.
6. BE SURE THAT ALL TOOLS AND ANY OTHER LOOSE ITEMS ARE REMOVED FROM THE PANELBOARD BEFORE REPLACING THE TRIM AND TURNING ON THE POWER.

1 REVISION HISTORY	THE INFORMATION ON THIS DOCUMENT IS CREATED BY EATON CORPORATION. IT IS DISCLOSED IN CONFIDENCE AND IS ONLY TO BE USED FOR THE PURPOSE IN WHICH IT IS SUPPLIED.			DRAFTER DSF	DATE 8/28/2020	<b>EATON</b> SUMTER, SC	
				ENGINEER RH	DATE 8/28/2020		TITLE INSTALLATION INSTRUCTIONS SUB-FEED BREAKER KITS
				REVISION 1	PARTS LIST	DWG NO. <b>1A32094</b>	
	FEDERAL ID NO.	PRODUCT	SCALE NTS	MODEL FILENAME	MODEL REV	TYPE STANDARD	UNLESS SPECIFIED TOLERANCES PER 5078A01

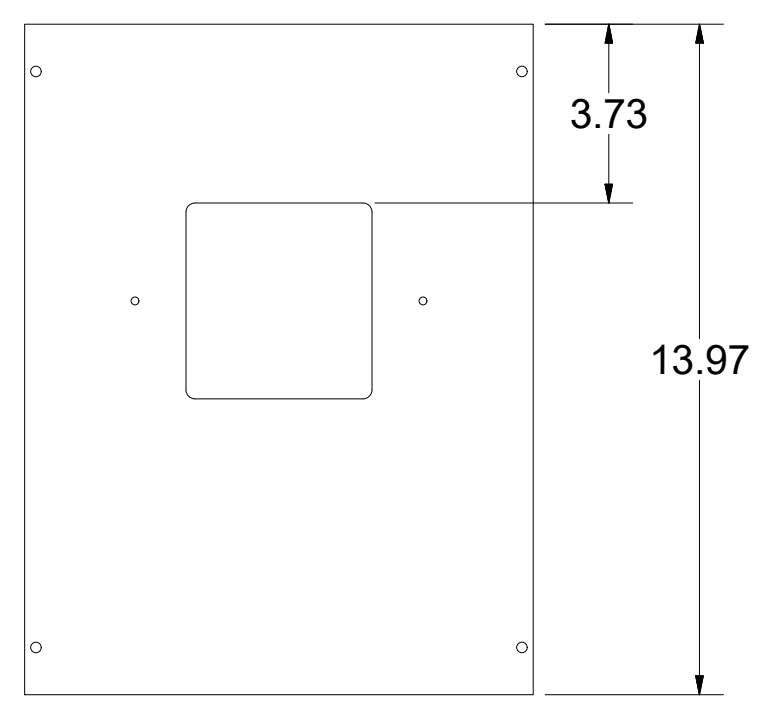
**FIGURE 1**  
**(225A SUB-FEED BREAKER IN 400A PANEL)**



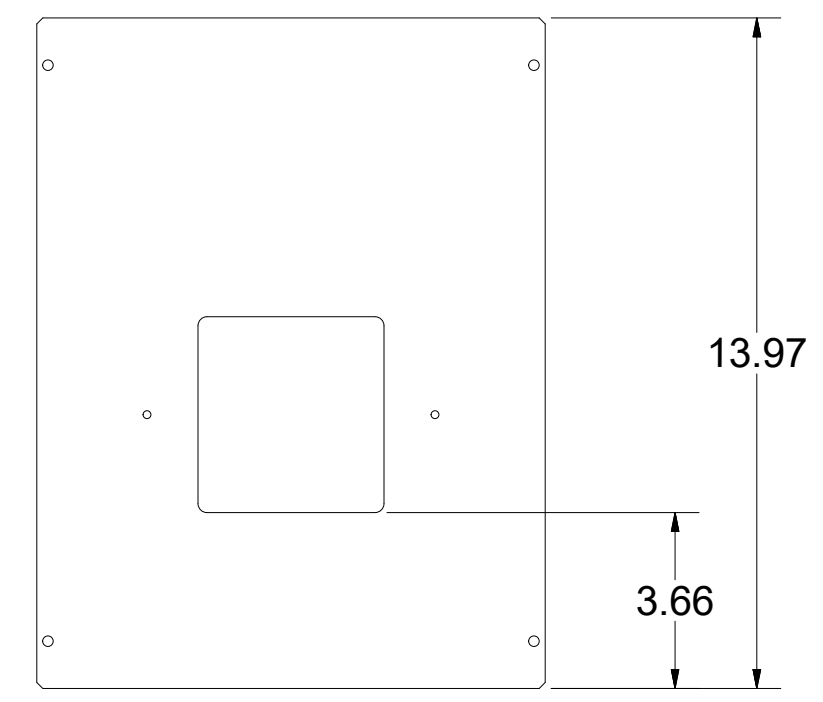
**INSTRUCTIONS:**

- Remove existing 11" cover
- Remove existing 3" cover
- Replace with new cover

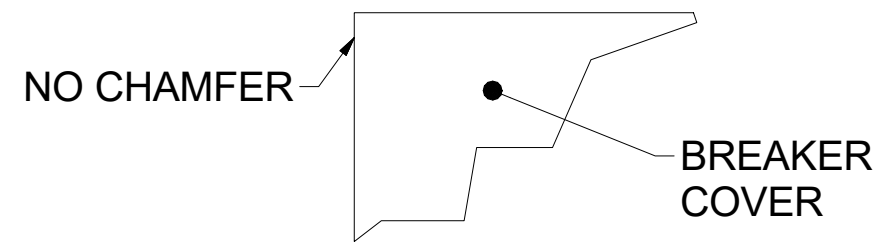
**BOTTOM MOUNTED COVER**



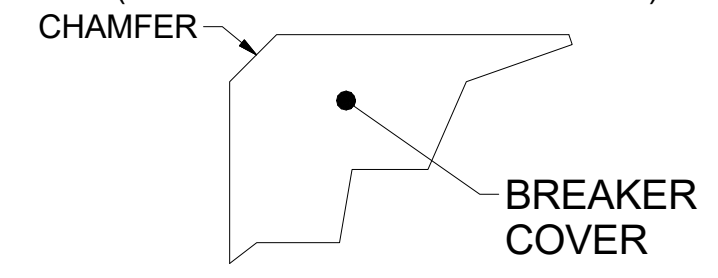
**TOP MOUNTED COVER**



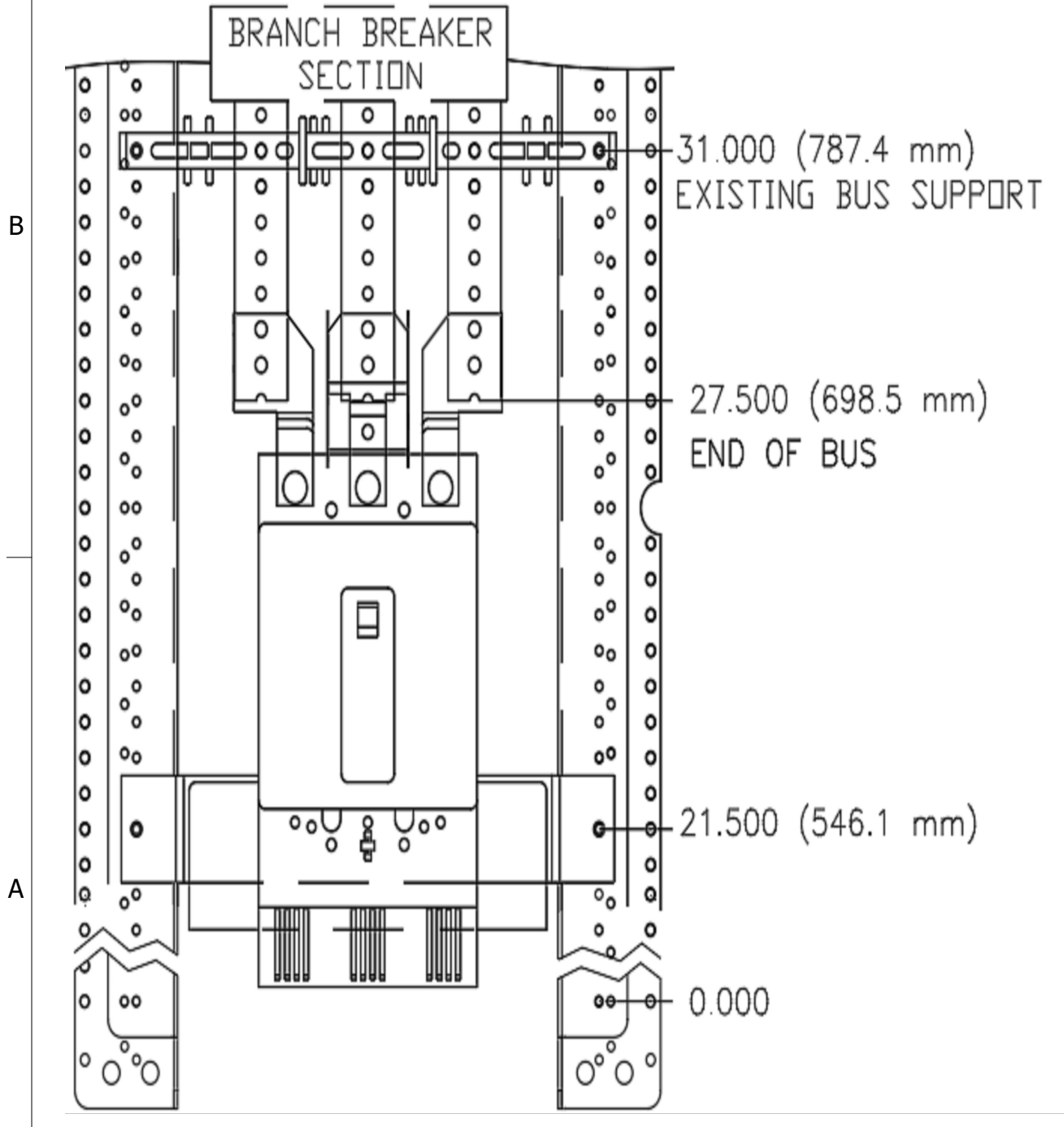
**BOTTOM COVER CORNER DETAIL**  
(TYPICAL ALL OUTSIDE CORNERS)



**TOP COVER CORNER DETAIL**  
(TYPICAL ALL OUTSIDE CORNERS)



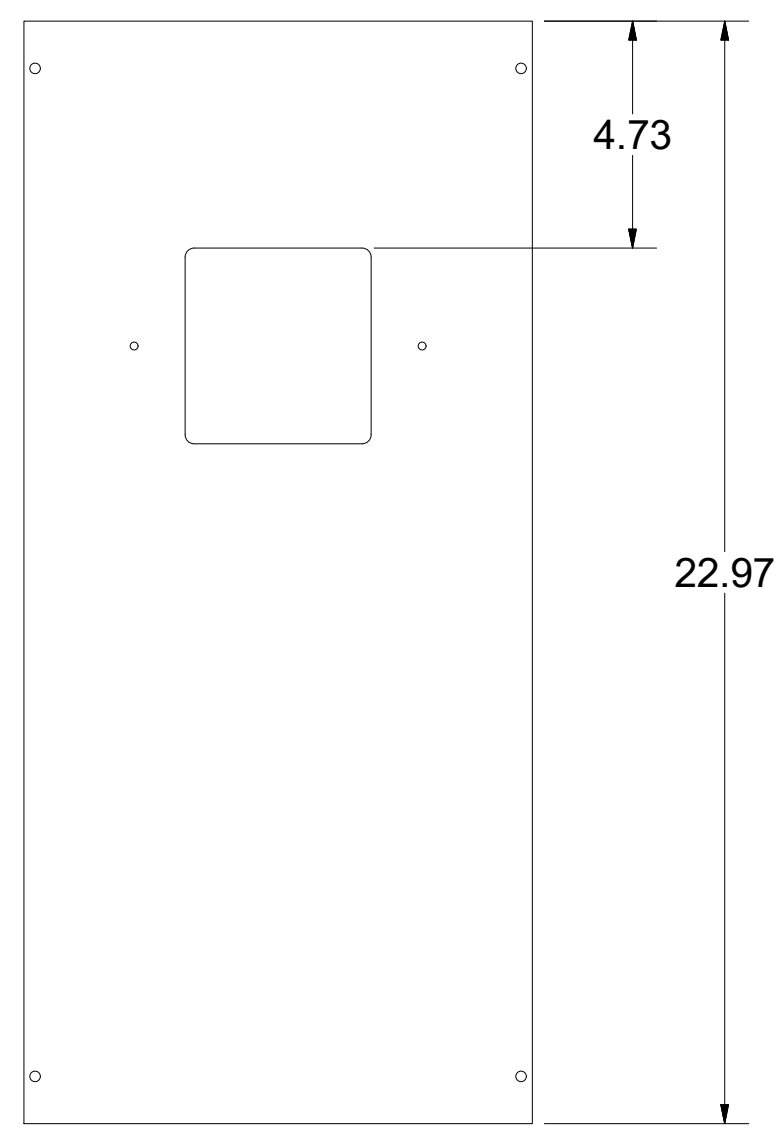
**FIGURE 2**  
**(225A SUB-FEED BREAKER IN 600A PANEL)**



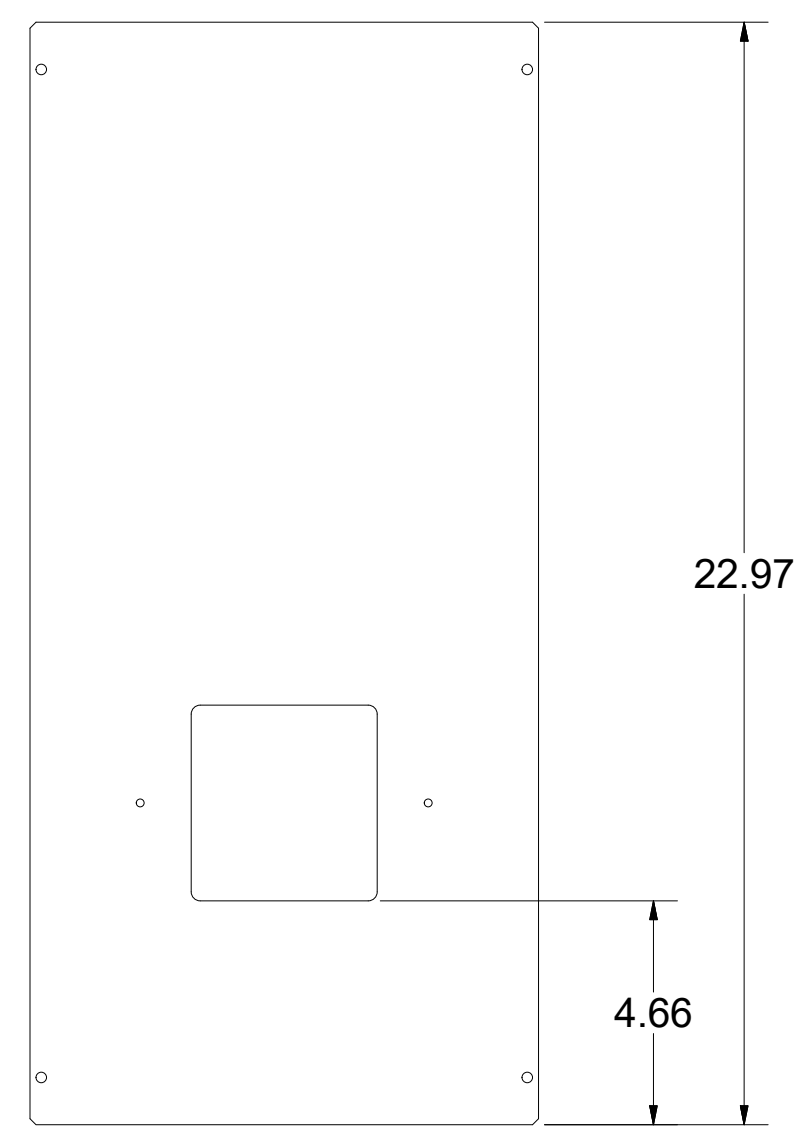
**INSTRUCTIONS:**

- Remove existing 12" cover
- Remove existing 11" cover
- Replace with new cover
- Existing 8" cover will remain in panel

**BOTTOM MOUNTED COVER**



**TOP MOUNTED COVER**

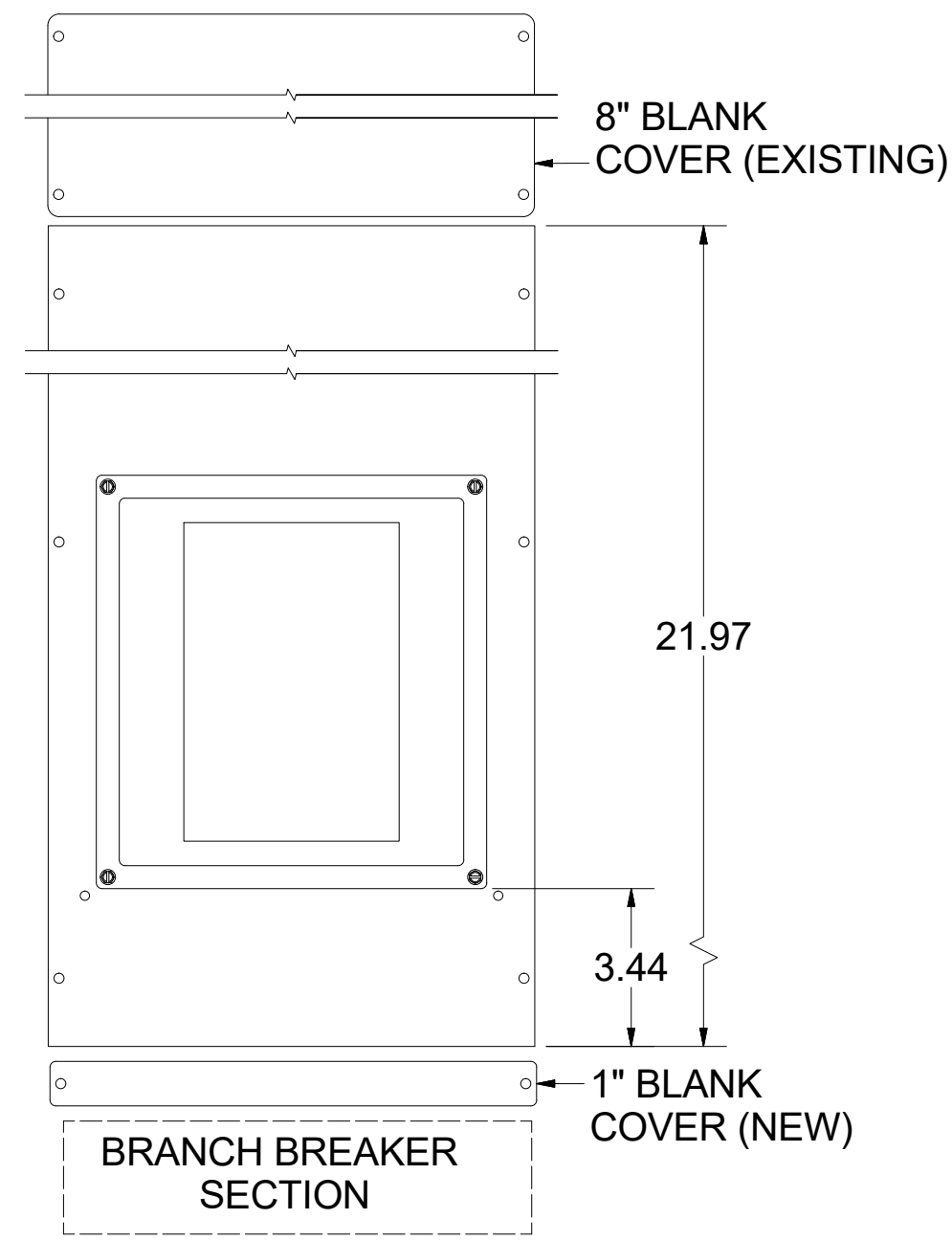
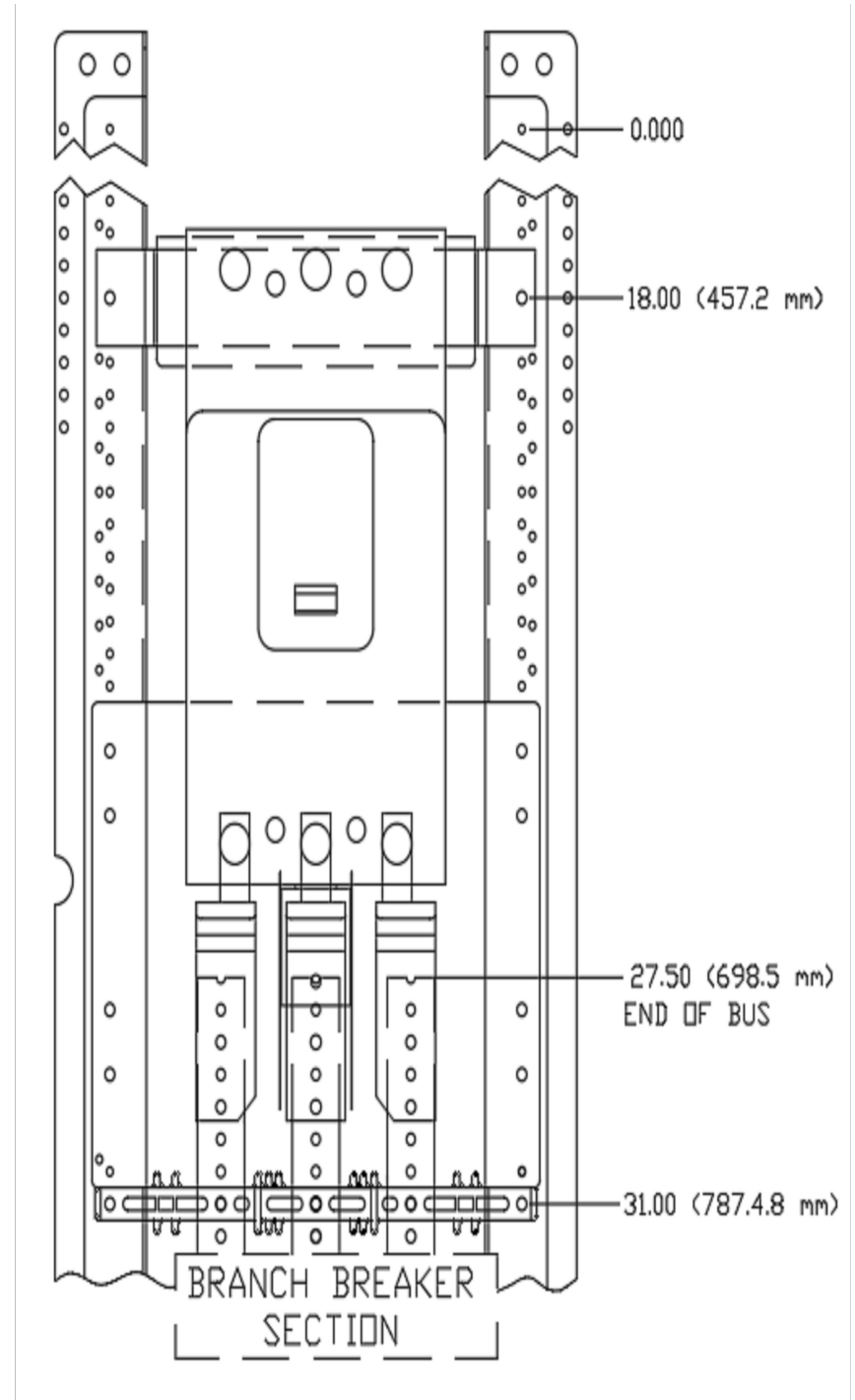


TITLE	225A MAX VERTICAL MTD. SR2 PD2, 225A, INSTR. SHT	ALL REV. NOTES LISTED ON SHT. 1	DWG NO	1A32094
MODEL FILENAME	42C8073H02.ipt	MODEL REV	1	C T.BLK REV-4
			FATON	SHEET 2 OF 3 REV 1

### FIGURE 3 400A SUB-FEED BREAKER IN 600A PANEL (TOP MOUNTED)

**INSTRUCTIONS:**

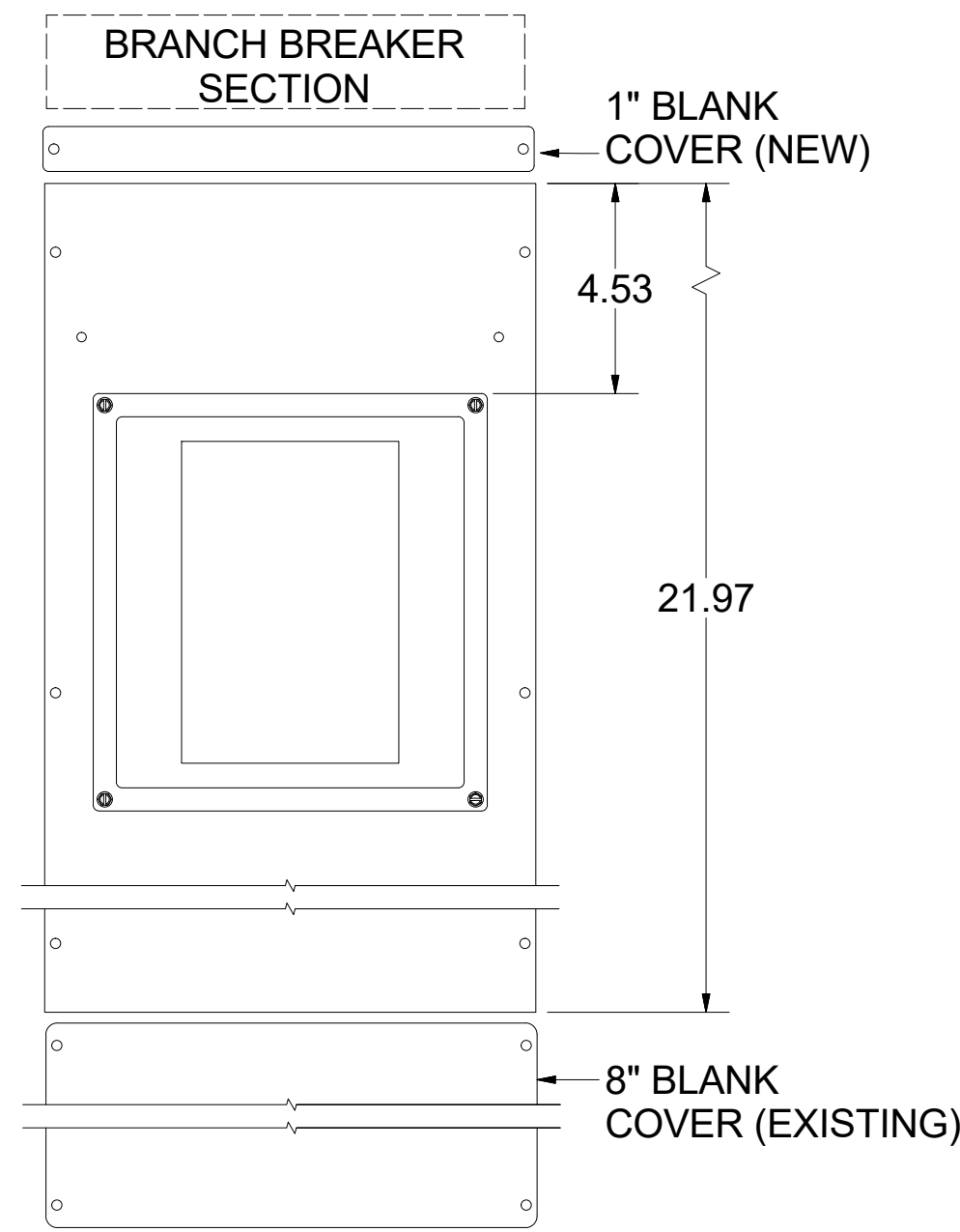
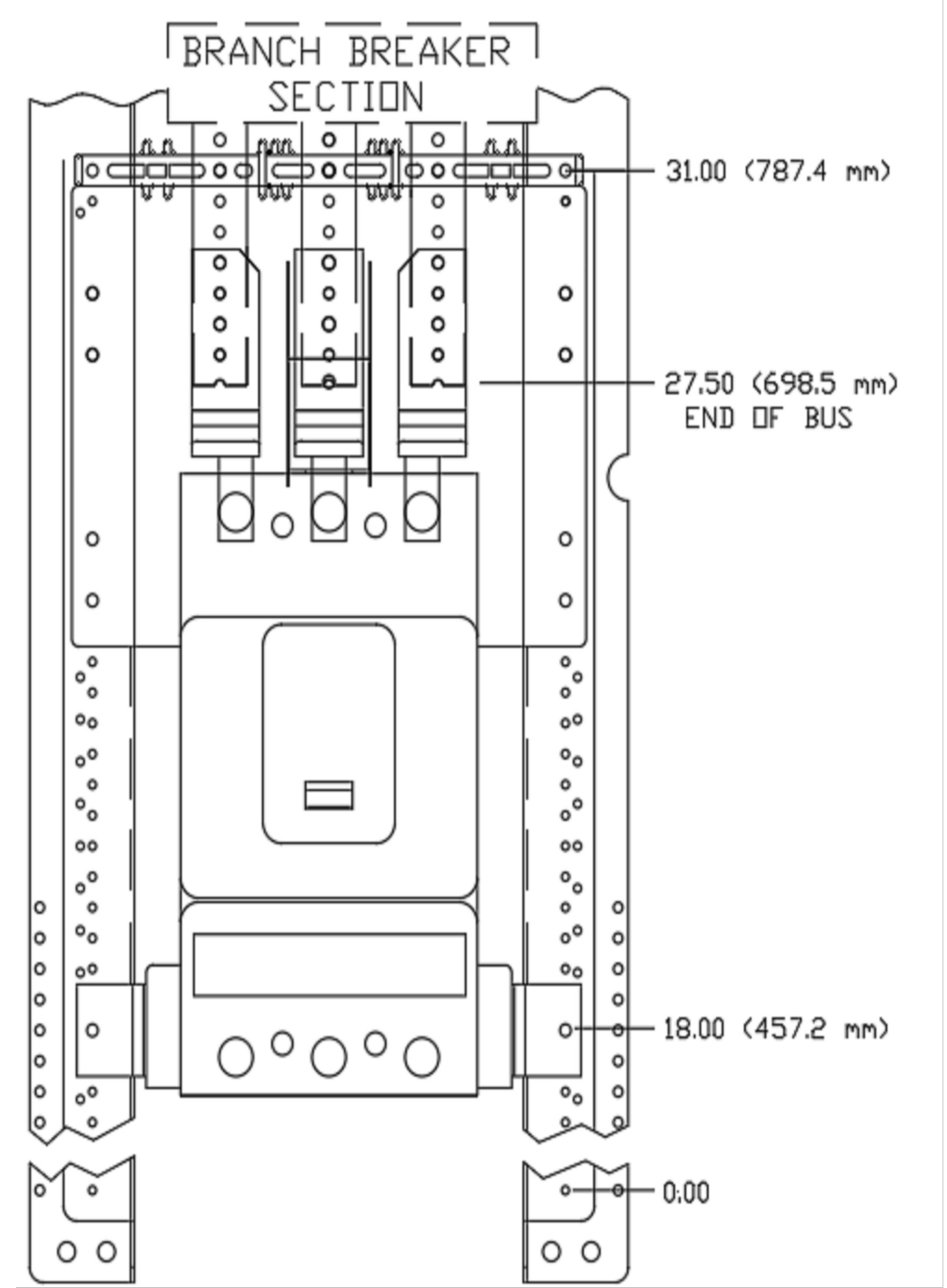
- Remove existing 12" cover
- Remove existing 11" cover
- Replace with new Breaker Cover and 1" Blank Cover
- Existing 8" cover will remain in panel



### FIGURE 4 400A SUB-FEED BREAKER IN 600A PANEL (BOTTOM MOUNTED)

**INSTRUCTIONS:**

- Remove existing 12" cover
- Remove existing 11" cover
- Replace with new Breaker Cover and 1" Blank Cover
- Existing 8" cover will remain in panel



TITLE	VERTICAL, SR3A SR3 400A INSTR. SHT	ALL REV. NOTES LISTED ON SHT. 1	DWG NO 1A32094
MODEL FILENAME	42C8051G01.iam	MODEL REV 1	C T.BLK REV-4
		FATON	SHEET 3 OF 3 REV 1