



SK SINGLE PIECE STRUT CLAMP FOR CONDUIT, STEEL, EG, 1/2" EMT, 1/2" RIGID/PIPE

CATALOG NUMBER

SK85I



CERTIFICATIONS



FEATURES

One piece break apart strut clamp for EMT and Rigid conduit

Includes thread impression and captured screw

PRODUCT ATTRIBUTES

Material: Steel

Finish: Electrogalvanized

EMT Conduit Size: 1/2"

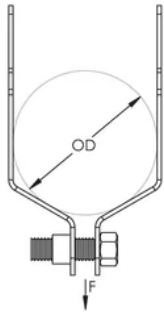
Rigid Conduit/Pipe Size: 1/2"

Outer Diameter (OD): 0.710" - 0.84"

Width (W): 1 1/4"

Static Load (F): 200lb

DIAGRAMS



WARNING

nVent products shall be installed and used only as indicated in nVent's product instruction sheets and training materials. Instruction sheets are available at www.nvent.com and from your nVent customer service representative. Improper installation, misuse, misapplication or other failure to completely follow nVent's instructions and warnings may cause product malfunction, property damage, serious bodily injury and death and/or void your warranty.

North America

+1.800.753.9221
Option 1 – Customer Care
Option 2 – Technical Support

Europe

Netherlands:
+31 800-0200135
France:
+33 800 901 793

Europe

Germany:
800 1890272
Other Countries:
+31 13 5835404

APAC

Shanghai:
+ 86 21 2412 1618/19
Sydney:
+61 2 9751 8500



Our powerful portfolio of brands:
nVent.com CADDY ERICO HOFFMAN RAYCHEM SCHROFF
TRACER



SK SINGLE PIECE STRUT CLAMP FOR CONDUIT, STEEL, EG, 1/2" EMT, 1/2" RIGID/PIPE

CATALOG NUMBER

SK85I



CERTIFICATIONS



FEATURES

One piece break apart strut clamp for EMT and Rigid conduit

Includes thread impression and captured screw

PRODUCT ATTRIBUTES

Material: Steel

Finish: Electrogalvanized

EMT Conduit Size: 1/2"

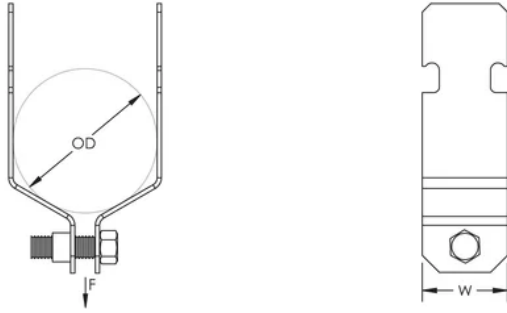
Rigid Conduit/Pipe Size: 1/2"

Outer Diameter (OD): 0.710" - 0.84"

Width (W): 1 1/4"

Static Load (F): 200lb

DIAGRAMS



WARNING

nVent products shall be installed and used only as indicated in nVent's product instruction sheets and training materials. Instruction sheets are available at www.nvent.com and from your nVent customer service representative. Improper installation, misuse, misapplication or other failure to completely follow nVent's instructions and warnings may cause product malfunction, property damage, serious bodily injury and death and/or void your warranty.

North America

+1.800.753.9221
Option 1 – Customer Care
Option 2 – Technical Support

Europe

Netherlands:
+31 800-0200135
France:
+33 800 901 793

Europe

Germany:
800 1890272
Other Countries:
+31 13 5835404

APAC

Shanghai:
+ 86 21 2412 1618/19
Sydney:
+61 2 9751 8500



Our powerful portfolio of brands:
nVent.com **CADDY ERICO HOFFMAN RAYCHEM SCHROFF**
TRACER