

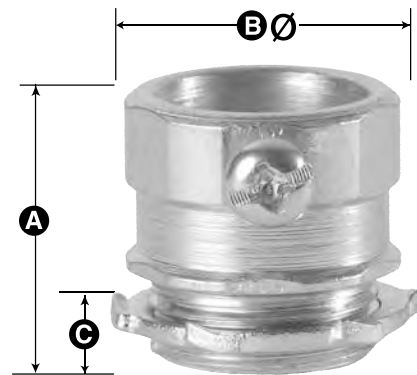


Made in the USA Since 1946

## EMT Connectors Set Screw Type

- For connecting & bonding electrical metallic tubing to a box or enclosure
- Steel, zinc plated \*
- UL rated concrete tight when taped

## SPEC-grade



### EMT Connectors - Set Screw (SS)

Cat. #	Size	Unit Ctn	Std Pkg	WT/ 100
SS50US	1/2"	50	250	10
SS51US	3/4"	25	125	14
SS52US	1"	20	100	23
SS53US	1-1/4"	5	25	40
SS54US	1-1/2"	5	25	52
SS55US	2"	-	20	80
SS56US	2-1/2"	-	6	142
SS57US	3"	-	6	183
SS58US	3-1/2"	-	3	250
SS59US	4"	-	3	283

\* Fittings 2-1/2" & larger may be steel or malleable iron

### Dimensional Table

Cat. #	A Overall Length	B Diameter	C Length of Thread
SS50/BUS	1.130	1.125	.375
SS51/BUS	1.250	1.380	.375
SS52/BUS	1.500	1.630	.500
SS53/BUS	2.750	2.000	.500
SS54/BUS	2.880	2.250	.500
SS55/BUS	2.000	2.750	.625
SS56/BUS	3.940	3.220	1.250
SS57/BUS	3.060	4.840	1.375
SS58/BUS	3.380	4.360	1.375
SS59/BUS	3.560	4.860	1.500

### With Insulated Throat

Cat. #	Size	Unit Ctn	Std Pkg	WT/ 100
SS50BUS	1/2"	50	250	10
SS51BUS	3/4"	25	125	14
SS52BUS	1"	20	100	23
SS53BUS	1-1/4"	5	25	40
SS54BUS	1-1/2"	5	25	52
SS55BUS	2"	-	20	80
SS56BUS	2-1/2"	-	6	142
SS57BUS	3"	-	6	183
SS58BUS	3-1/2"	-	3	250
SS59BUS	4"	-	3	283

EMT Conduit Fittings 5

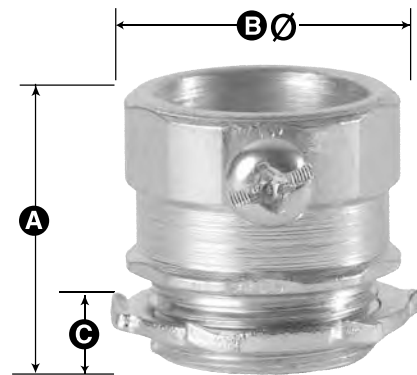


Made in the USA Since 1946

## EMT Connectors Set Screw Type

- For connecting & bonding electrical metallic tubing to a box or enclosure
- Steel, zinc plated \*
- UL rated concrete tight when taped

## SPEC-grade



### EMT Connectors - Set Screw (SS)

Cat. #	Size	Unit Ctn	Std Pkg	WT/ 100
SS50US	1/2"	50	250	10
SS51US	3/4"	25	125	14
SS52US	1"	20	100	23
SS53US	1-1/4"	5	25	40
SS54US	1-1/2"	5	25	52
SS55US	2"	-	20	80
SS56US	2-1/2"	-	6	142
SS57US	3"	-	6	183
SS58US	3-1/2"	-	3	250
SS59US	4"	-	3	283

\* Fittings 2-1/2" & larger may be steel or malleable iron

### Dimensional Table

Cat. #	A Overall Length	B Diameter	C Length of Thread
SS50/BUS	1.130	1.125	.375
SS51/BUS	1.250	1.380	.375
SS52/BUS	1.500	1.630	.500
SS53/BUS	2.750	2.000	.500
SS54/BUS	2.880	2.250	.500
SS55/BUS	2.000	2.750	.625
SS56/BUS	3.940	3.220	1.250
SS57/BUS	3.060	4.840	1.375
SS58/BUS	3.380	4.360	1.375
SS59/BUS	3.560	4.860	1.500

### With Insulated Throat

Cat. #	Size	Unit Ctn	Std Pkg	WT/ 100
SS50BUS	1/2"	50	250	10
SS51BUS	3/4"	25	125	14
SS52BUS	1"	20	100	23
SS53BUS	1-1/4"	5	25	40
SS54BUS	1-1/2"	5	25	52
SS55BUS	2"	-	20	80
SS56BUS	2-1/2"	-	6	142
SS57BUS	3"	-	6	183
SS58BUS	3-1/2"	-	3	250
SS59BUS	4"	-	3	283

EMT Conduit Fittings 5