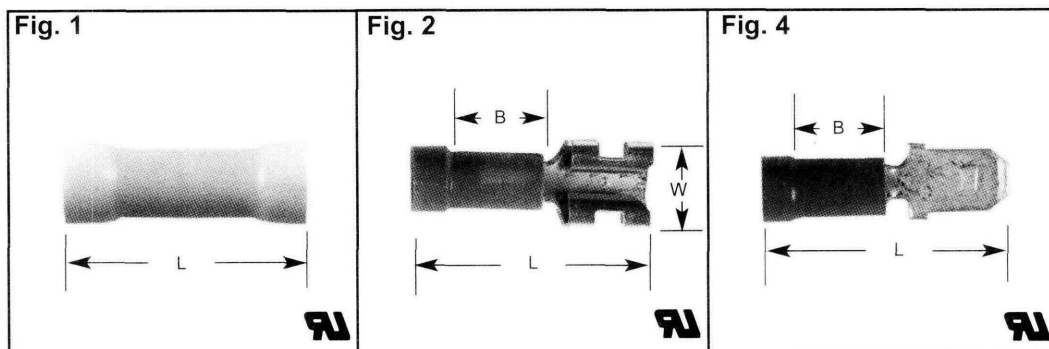


## Butt Connectors/Female & Male Quick Connect Slides



Butt Connectors

Wire Size/ CMA Range	Color Code	Insulation Dia. (inches)	Basic Terminal Dimension			Vinyl Insulated Butted Seam Flared Barrel Part Number*	Pcs. per Bag <sup>1</sup>	Fig. No.
			ID Inches	OD Inches	L Inches			
12-10 5180-13,100	Yellow	.255	.142	----	1.01	ST-17	70	1
16-14 2050-5180	Blue	.190	.090	----	1.02	ST-19	100	1
22-18 509-3260	Red	.160	.055	----	.95	ST-18	100	1

Female Quick Connect Slide

Wire Size CMA Range	Color Code	Insulation Dia. Inches	Basic Terminal Dimensions			Vinyl Insulated Butted Seam Funnel Barrel Part Number	Pcs. per Bag <sup>1</sup>	Fig. No.		
			Barrel Inside Dia. (Inches,mm)	NEMA Tab	W Inches				L Inches	B Inches
12-10 5180-13,100	Yellow	.25"	.136" 3,45	.032" x .250"	.310	0.93	.234	ST-36	80	2
16-14 2050-5180	Blue	.14"	.07" 1,78	.020" x .187"	.23	0.87	.172	ST-37	100	2
16-14 2050-5180	Blue	.14"	.07" 1,78	.032" x .250"	.310	0.87	.234	ST-16	100	2
18-14 1600-5180	----	----	.081"	.032" x .250"	.25	.50	----	ST-59**	100	---
22-18 509-2050	Red	.14"	.057" 1,45	.020" x .187"	.233	0.86	.172	ST-42	100	2
22-18 509-2050	Red	.14"	.070" 1,78	.032" x .250"	.310	0.93	.234	ST-21B	100	2

Male Quick Connect Slide

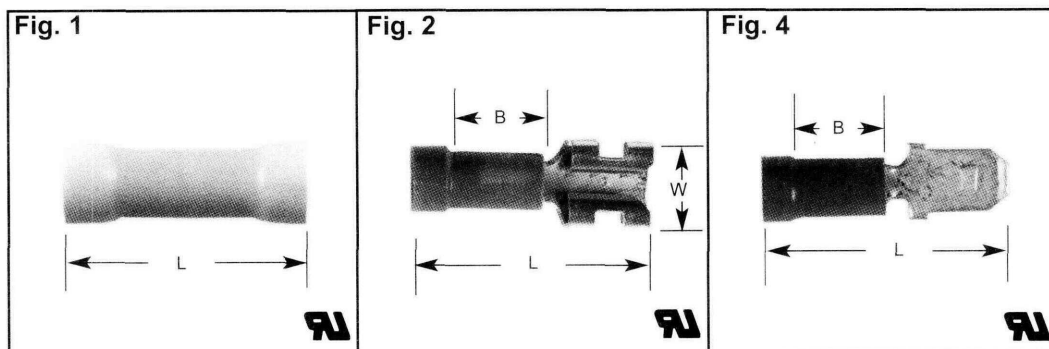
Wire Size CMA Range	Color Code	Insulation Dia. Inches	Basic Terminal Dimensions			Vinyl Insulated Butted Seam Funnel Barrel Part Number	Pcs. per Bag <sup>1</sup>	Fig. No.		
			Barrel Inside Dia. (Inches,mm)	NEMA Tab	W Inches				L Inches	B Inches
12-10 5180-13,100	Yellow	.250"	.130" 3,30	.032" x .250"	----	1.05	.250	ST-40	80	3
16-14 2050-5180	Blue	.17"	.09"	.032" x .250"	----	0.97	.250	ST-15	100	3
22-18 50-2050	Red	.14"	.05"	.032" x .250"	----	0.97	.250	ST-20B	100	3

\* Also available in Nylon Insulated & Non-Insulated Brazed Seam. Please Contact Sales Department for more information.

\*\* High temperatures terminal. 900°F Maximum Operating Temperature. Non-Insulated.

<sup>1</sup> Solderless Terminals are available in both Poly Zip-Lock Bag packaging and Bulk packaging. The "Pieces Per Bag" column refers to the Poly Zip-lock Bag packaging while the Bulk packaging has a 1,000 Pc. minimum multiples. Please indicate package preference by adding a "-BG" suffix or a "-BK" suffix for bulk.

## Butt Connectors/Female & Male Quick Connect Slides



Butt Connectors

Wire Size/ CMA Range	Color Code	Insulation Dia. (inches)	Basic Terminal Dimension			Vinyl Insulated Butted Seam Flared Barrel Part Number*	Pcs. per Bag <sup>1</sup>	Fig. No.
			ID Inches	OD Inches	L Inches			
12-10 5180-13,100	Yellow	.255	.142	----	1.01	ST-17	70	1
16-14 2050-5180	Blue	.190	.090	----	1.02	ST-19	100	1
22-18 509-3260	Red	.160	.055	----	.95	ST-18	100	1

Female Quick Connect Slide

Wire Size CMA Range	Color Code	Insulation Dia. Inches	Basic Terminal Dimensions			Vinyl Insulated Butted Seam Funnel Barrel Part Number	Pcs. per Bag <sup>1</sup>	Fig. No.		
			Barrel Inside Dia. (Inches,mm)	NEMA Tab	W Inches				L Inches	B Inches
12-10 5180-13,100	Yellow	.25"	.136" 3,45	.032" x .250"	.310	0.93	.234	ST-36	80	2
16-14 2050-5180	Blue	.14"	.07" 1,78	.020" x .187"	.23	0.87	.172	ST-37	100	2
16-14 2050-5180	Blue	.14"	.07" 1,78	.032" x .250"	.310	0.87	.234	ST-16	100	2
18-14 1600-5180	----	----	.081"	.032" x .250"	.25	.50	----	ST-59**	100	---
22-18 509-2050	Red	.14"	.057" 1,45	.020" x .187"	.233	0.86	.172	ST-42	100	2
22-18 509-2050	Red	.14"	.070" 1,78	.032" x .250"	.310	0.93	.234	ST-21B	100	2

Male Quick Connect Slide

Wire Size CMA Range	Color Code	Insulation Dia. Inches	Basic Terminal Dimensions			Vinyl Insulated Butted Seam Funnel Barrel Part Number	Pcs. per Bag <sup>1</sup>	Fig. No.		
			Barrel Inside Dia. (Inches,mm)	NEMA Tab	W Inches				L Inches	B Inches
12-10 5180-13,100	Yellow	.250"	.130" 3,30	.032" x .250"	----	1.05	.250	ST-40	80	3
16-14 2050-5180	Blue	.17"	.09"	.032" x .250"	----	0.97	.250	ST-15	100	3
22-18 50-2050	Red	.14"	.05"	.032" x .250"	----	0.97	.250	ST-20B	100	3

\* Also available in Nylon Insulated & Non-Insulated Brazed Seam. Please Contact Sales Department for more information.

\*\* High temperatures terminal. 900°F Maximum Operating Temperature. Non-Insulated.

<sup>1</sup> Solderless Terminals are available in both Poly Zip-Lock Bag packaging and Bulk packaging. The "Pieces Per Bag" column refers to the Poly Zip-lock Bag packaging while the Bulk packaging has a 1,000 Pc. minimum multiples. Please indicate package preference by adding a "-BG" suffix or a "-BK" suffix for bulk.