



Made in the USA Since 1946

Liquid Tight Connectors Reusable Fittings

- Industrial specification grade, screw machined steel, zinc plated
- UL Rated Liquid Tight
- Includes sealing washer
- Bonds conduit to box or enclosure
- Corrosion resistant protection from moisture & oils
- Designed to protect against excessive vibration

Straight Connectors (STR)

Cat. #	Size	Unit Ctn	Std Pkg	WT/ 100
STR38	3/8"	20	200	10
STR50	1/2"	20	200	13
STR75	3/4"	20	100	18
STR100	1"	5	50	32
STR125	1-1/4"	5	25	44
STR150	1-1/2"	5	25	66
STR200	2"	5	25	85
STR250**	2-1/2"	-	5	260
STR300**	3"	-	4	360
STR350**	3-1/2"	-	4	445
STR400**	4"	-	2	520
STR500**	5"	-	1	1150

6" connectors available upon request

** Malleable Iron

Dimensional Table

Cat. #	A Diameter	B Overall Length	C Length of Thread
STR38/B	1.09	1.19	.63
STR50/B	1.19	1.34	.63
STR75/B	1.43	1.43	.63
STR100/B	1.75	1.63	.66
STR125/B	2.16	1.84	.67
STR150/B	2.38	2.00	.72
STR200/B	2.88	2.13	.72
STR250/B	4.00	3.25	1.50
STR300/B	4.63	3.88	1.50
STR350/B	5.50	4.00	1.50
STR400/B	5.82	4.00	1.63
STR500/B	7.00	5.00	1.63

Liquid Tight Connectors 1

SPEC-grade



E93605



LR61799

UL rated suitable for hazardous locations
Class I, Div. 2; Class II, Div. 1 and 2;
Class III, Div. 1 and 2; NEC 501-4(b), 505-4(a), 503-3(a)

Featuring:
EZ-Torque Compression Nut

Straight Connectors with Insulated Throat

Cat. #	Size	Unit Ctn	Std Pkg	WT/ 100
STR38B	3/8"	20	200	10
STR50B	1/2"	20	200	13
STR75B	3/4"	20	100	18
STR100B	1"	5	50	32
STR125B	1-1/4"	5	25	44
STR150B	1-1/2"	5	25	66
STR200B	2"	5	25	85
STR250B**	2-1/2"	-	5	260
STR300B**	3"	-	4	360
STR350B**	3-1/2"	-	4	445
STR400B**	4"	-	2	520
STR500B**	5"	-	1	1150

6" connectors available upon request

** Malleable Iron



Made in the USA Since 1946

Liquid Tight Connectors 90° Reusable Fittings

- Industrial specification grade steel, zinc plated
- Malleable iron body
- UL rated Liquid Tight
- Includes sealing washer
- Bonds conduit to box or enclosure
- Corrosion resistant protection from moisture & oils
- Designed to protect against excessive vibration

90° Angle Connectors (STR)

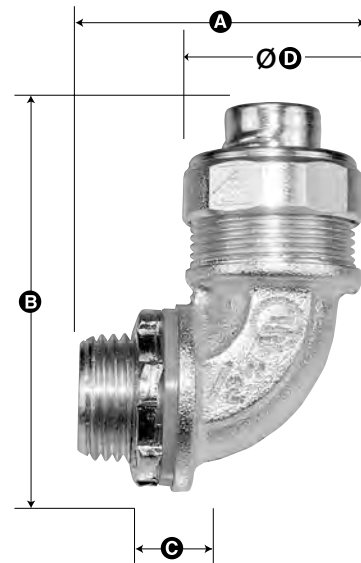
Cat. #	Size	Unit Ctn	Std Pkg	WT/ 100
STR3890**	3/8"	10	100	24
STR5090**	1/2"	10	100	24
STR7590**	3/4"	5	50	38
STR10090**	1"	5	25	70
STR12590**	1-1/4"	2	20	88
STR15090**	1-1/2"	1	10	125
STR20090**	2"	1	5	180
STR25090	2-1/2"	-	2	625
STR30090	3"	-	1	900
STR35090	3-1/2"	-	1	1000
STR40090	4"	-	2	1500

**Steel Nut

Dimensional Table

Cat. #	A	B	C Length of Thread	D Ø
STR3890/B	1.25	1.59	.59	1.09
STR5090/B	1.25	1.66	.59	1.19
STR7590/B	1.53	1.78	.59	1.43
STR10090/B	1.84	2.19	.66	1.75
STR12590/B	1.94	2.38	.69	2.16
STR15090/B	2.09	2.63	.72	2.38
STR20090/B	2.41	3.06	.72	2.88
STR25090/B	8.00	9.25	1.50	?
STR30090/B	8.75	10.50	1.50	?
STR35090/B	10.93	11.50	1.50	?
STR40090/B	12.63	13.00	1.50	?

SPEC-grade



E93605



LR61799

UL rated suitable for hazardous locations
Class I, Div. 2; Class II, Div. 1 and 2;
Class III, Div. 1 and 2; NEC 501-4(b), 505-4(a), 503-3(a)

Featuring:
EZ-Torque Compression Nut

90° Angle Connectors with Insulated Throat

Cat. #	Size	Unit Ctn	Std Pkg	WT/ 100
STR3890B**	3/8"	10	100	24
STR5090B**	1/2"	10	100	24
STR7590B**	3/4"	5	50	38
STR10090B**	1"	5	25	70
STR12590B**	1-1/4"	2	20	88
STR15090B**	1-1/2"	1	10	125
STR20090B**	2"	1	5	180
STR25090B	2-1/2"	-	2	625
STR30090B	3"	-	1	900
STR35090B	3-1/2"	-	1	1000
STR40090B	4"	-	2	1500

**Steel Nut



Made in the USA Since 1946

Liquid Tight Connectors 45° Reusable Fittings

- Industrial specification grade steel, zinc plated
- Malleable iron body
- UL rated Liquid Tight
- Includes sealing washer
- Bonds conduit to box or enclosure
- Corrosion resistant protection from moisture & oils
- Designed to protect against excessive vibration

45° Angle Connectors (STR)

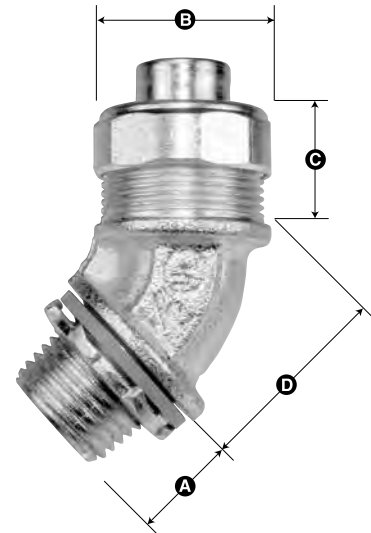
Cat. #	Size	Unit Ctn	Std Pkg	WT/ 100
STR3845**	3/8"	10	100	21
STR5045**	1/2"	10	100	23
STR7545**	3/4"	10	50	32
STR10045**	1"	5	50	53
STR12545**	1-1/4"	5	25	69
STR15045**	1-1/2"	3	15	99
STR20045**	2"	1	10	152
STR25045	2-1/2"	-	2	478
STR30045	3"	-	2	775
STR35045	3-1/2"	-	1	880
STR40045	4"	-	1	1000

** Steel Nut

Dimensional Table

Cat. #	A	B	C	D
STR3845/B	.59	1.09	1.22	1.03
STR5045/B	.59	1.19	1.32	1.03
STR7545/B	.59	1.43	1.38	1.13
STR10045/B	.66	1.75	1.66	1.25
STR12545/B	.69	2.16	1.72	1.34
STR15045/B	.72	2.38	2.00	1.47
STR20045/B	.72	2.88	2.28	1.63
STR25045/B	1.50	4.00	2.25	4.75
STR30045/B	1.50	4.63	2.50	5.50
STR35045/B	1.56	5.25	2.50	6.50
STR40045/B	1.63	5.81	2.50	7.75

SPEC-grade



E93605



LR61799

UL rated suitable for hazardous locations
Class I, Div. 2; Class II, Div. 1 and 2;
Class III, Div. 1 and 2; NEC 501-4(b), 502-4(a), 503-3(a)

Featuring:
EZ-Torque Compression Nut

45° Angle Connectors with Insulated Throat

Cat. #	Size	Unit Ctn	Std Pkg	WT/ 100
STR3845B**	3/8"	10	100	21
STR5045B**	1/2"	10	100	23
STR7545B**	3/4"	10	50	32
STR10045B**	1"	5	50	53
STR12545B**	1-1/4"	5	25	69
STR15045B**	1-1/2"	3	15	99
STR20045B**	2"	1	10	152
STR25045B	2-1/2"	-	2	478
STR30045B	3"	-	2	775
STR35045B	3-1/2"	-	1	880
STR40045B	4"	-	1	1000

** Steel Nut



Made in the USA Since 1946

Liquid Tight Connectors Grounding Type with Aluminum Lugs

- A quick, effective solution to connecting liquid tight conduit while terminating a bonding connector in one action
- Sleek screw machined bodies and nuts promote easy installation
- Strong construction and long ferrule prevent pullouts
- All components are reusable
- Furnished with locknut and sealing washer

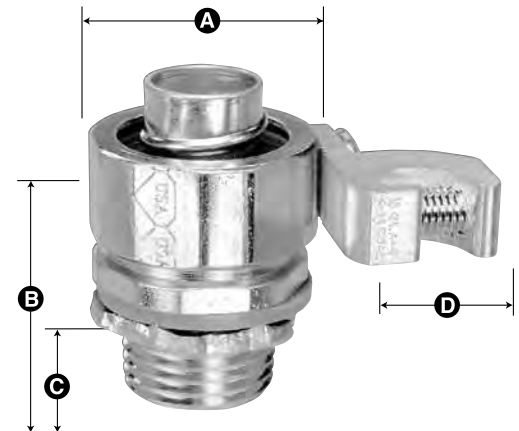
Straight Connectors (STR)

Cat. #	Size	Unit Ctn	Std Pkg	WT/100
STR38GL	3/8"	25	125	12
STR50GL	1/2"	25	125	15
STR75GL	3/4"	25	125	20
STR100GL	1"	10	50	34
STR125GL	1-1/4"	5	25	46
STR150GL	1-1/2"	5	25	68
STR200GL	2"	2	10	87
STR250GL	2-1/2"	-	5	267
STR300GL	3"	-	4	367
STR350GL	3-1/2"	-	3	464
STR400GL	4"	-	2	539

Dimensional Table

Cat. #	A	B	C	D	Wire Size	
	Diameter	Overall Length	Length of Thread	Length of Lug	Min	Max
STR38GL	1.09	1.19	.63	.750	14	4
STR50GL	1.19	1.34	.63	.750	14	4
STR75GL	1.43	1.43	.63	.750	14	4
STR100GL	1.75	1.63	.66	.750	14	4
STR125GL	2.16	1.84	.67	.750	14	4
STR150GL	2.38	2.00	.72	.750	14	4
STR200GL	2.88	2.13	.72	.750	14	4
STR250GL	4.00	3.25	1.50	1.093	8	110
STR300GL	4.63	3.88	1.50	1.093	8	110
STR350GL	5.50	4.00	1.50	1.687	6	250
STR400GL	5.82	4.00	1.63	1.687	6	250

SPEC-grade



UL rated suitable for hazardous locations
Class I, Div. 2; Class II, Div. 1 and 2;
Class III, Div. 1 and 2; NEC 501-4(b), 502-4(a), 503-3(a)

Featuring:
EZ-Torque Compression Nut

Straight Connectors with Insulated Throat

Cat. #	Size	Unit Ctn	Std Pkg	WT/100
STR38BGL	3/8"	25	125	12
STR50BGL	1/2"	25	125	15
STR75BGL	3/4"	25	125	20
STR100BGL	1"	10	50	34
STR125BGL	1-1/4"	5	25	46
STR150BGL	1-1/2"	5	25	68
STR200BGL	2"	2	10	87
STR250BGL	2-1/2"	-	5	267
STR300BGL	3"	-	4	367
STR350BGL	3-1/2"	-	3	464
STR400BGL	4"	-	2	539

AMERICAN FITTINGS Corporation



Made in the USA Since 1946

LIQUID TIGHT CONNECTORS
Grounding Type with Aluminum Lugs: 90° Angle
Size Range: 3/8" to 4"

Liquid Tight Connectors 90° Grounding Type with Aluminum Lugs

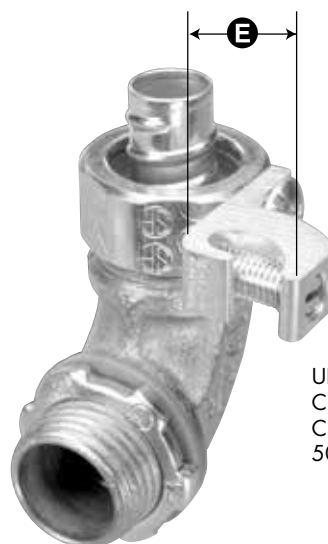
- A quick, effective solution to connecting liquid tight conduit while terminating a bonding connector in one action
- Strong construction and long ferrule prevent pullouts
- All components are reusable
- Furnished with locknut and sealing washer

90° Angle Connectors (STR)

Cat. #	Size	Unit Ctn	Std Pkg	WT/100
STR3890GL	3/8"	20	100	26
STR5090GL	1/2"	20	100	26
STR7590GL	3/4"	10	50	40
STR10090GL	1"	5	25	72
STR12590GL	1-1/4"	4	20	90
STR15090GL	1-1/2"	3	15	127
STR20090GL	2"	2	10	182
STR25090GL	2-1/2"	-	2	632
STR30090GL	3"	-	1	907
STR35090GL	3-1/2"	-	1	1019
STR40090GL	4"	-	2	1519

90° Angle Connectors with Insulated Throat

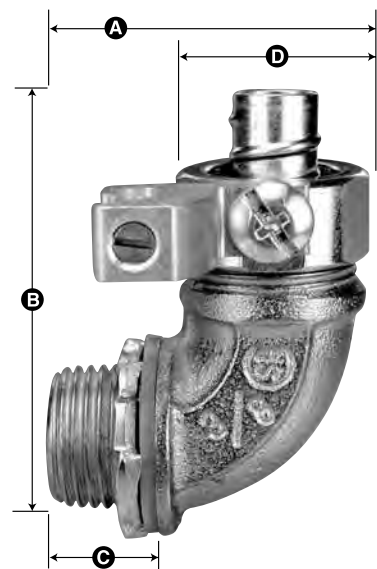
Cat. #	Size	Unit Ctn	Std Pkg	WT/100
STR3890GL	3/8"	20	100	26
STR5090GL	1/2"	20	100	26
STR7590GL	3/4"	10	50	40
STR10090GL	1"	5	25	72
STR12590GL	1-1/4"	4	20	90
STR15090GL	1-1/2"	3	15	127
STR20090GL	2"	2	10	182
STR25090GL	2-1/2"	-	2	632
STR30090GL	3"	-	1	907
STR35090GL	3-1/2"	-	1	1019
STR40090GL	4"	-	2	1519



SPEC-grade



UL rated suitable for hazardous locations
Class I, Div. 2; Class II, Div. 1 and 2;
Class III, Div. 1 and 2; NEC 501-4(b),
502-4(a), 503-3(a)



Featuring:
EZ-Torque Compression Nut

Dimensional Table

Cat. #	A	B	C	D	E	Wire Min	Size Max
STR3890GL	1.25	1.59	.59	1.09	.750	14	4
STR5090GL	1.25	1.66	.59	1.19	.750	14	4
STR7590GL	1.53	1.78	.59	1.43	.750	14	4
STR10090GL	1.84	2.19	.66	1.75	.750	14	4
STR12590GL	1.94	2.38	.69	2.16	.750	14	4
STR15090GL	2.09	2.63	.72	2.38	.750	14	4
STR20090GL	2.41	3.06	.72	2.88	.750	14	4
STR25090GL	8.00	9.25	1.50	4.00	1.093	8	110
STR30090GL	8.75	10.50	1.50	4.63	1.093	8	110
STR35090GL	10.93	11.50	1.50	5.50	1.687	6	250
STR40090GL	12.63	13.00	1.50	5.82	1.687	6	250

Liquid Tight Connectors 5

AMFTGS.com

t: 800-221-5268

e: info@amftgs.com

AMERICAN FITTINGS Corporation



Made in the USA Since 1946

LIQUID TIGHT CONNECTORS
Grounding Type with Aluminum Lugs: 45° Angle
Size Range: 3/8" to 4"

Liquid Tight Connectors 45° Grounding Type with Aluminum Lugs

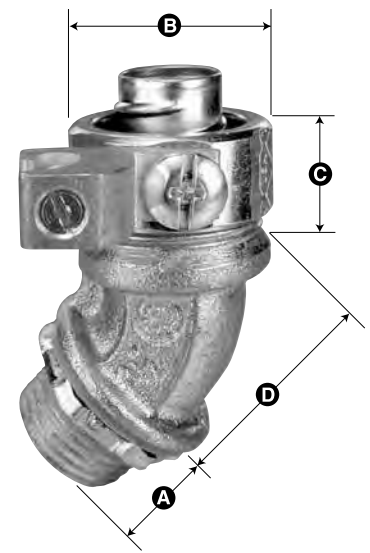
- A quick, effective solution to connecting liquid tight conduit while terminating a bonding connector in one action
- Strong construction and long ferrule prevent pullouts
- All components are reusable
- Furnished with locknut and sealing washer

45° Angle Connectors (STR)

Cat. #	Size	Unit Ctn	Std Pkg	WT/ 100
STR3845GL	3/8"	20	100	23
STR5045GL	1/2"	20	100	25
STR7545GL	3/4"	10	50	34
STR10045GL	1"	5	25	55
STR12545GL	1-1/4"	4	20	71
STR15045GL	1-1/2"	3	15	101
STR20045GL	2"	2	10	154
STR25045GL	2-1/2"	-	4	485
STR30045GL	3"	-	2	782
STR35045GL	3-1/2"	-	2	899
STR40045GL	4"	-	1	1019

45° Angle Connectors with Insulated Throat

Cat. #	Size	Unit Ctn	Std Pkg	WT/ 100
STR3845BGL	3/8"	20	100	23
STR5045BGL	1/2"	20	100	25
STR7545BGL	3/4"	10	50	34
STR10045BGL	1"	5	25	55
STR12545BGL	1-1/4"	4	20	71
STR15045BGL	1-1/2"	3	15	101
STR20045BGL	2"	2	10	154
STR25045BGL	2-1/2"	-	4	485
STR30045BGL	3"	-	2	782
STR35045BGL	3-1/2"	-	2	899
STR40045BGL	4"	-	1	1019



Featuring:
EZ-Torque Compression Nut

Dimensional Table

Cat. #	A	B	C	D	E
STR3845GL	.59	1.09	1.22	1.03	.750
STR5045GL	.59	1.19	1.32	1.03	.750
STR7545GL	.59	1.43	1.38	1.13	.750
STR10045GL	.66	1.75	1.66	1.25	.750
STR12545GL	.69	2.16	1.72	1.34	.750
STR15045GL	.72	2.38	2.00	1.47	.750
STR20045GL	.72	2.88	2.28	1.63	.750
STR25045GL	1.50	4.00	2.25	4.75	1.093
STR30045GL	1.50	4.63	2.50	5.50	1.093
STR35045GL	1.56	5.25	2.50	6.50	1.687
STR40045GL	1.63	5.81	2.50	7.75	1.687

Liquid Tight Connectors 6

AMFTGS.com

t: 800-221-5268

e: info@amftgs.com



Made in the USA Since 1946

Combination Couplings *Liquid Tight Conduit to EMT*

- Reusable ferrule
- For rooftop HVAC air conditioners and motor hook-ups
- Steel, zinc plated



UL rated suitable for hazardous locations
Class I, Div. 2; Class II, Div. 1 and 2;
Class III, Div. 1 and 2; NEC 501-4(b),
502-4(a), 503-3(a)

SPEC-grade



Featuring:
EZ-Torque Compression Nut

Cat. #	Size	Uni Ctn	Std Pkg	WT/ 100
STREMT50	1/2"	25	250	15
STREMT75	3/4"	10	100	22
STREMT100	1"	5	50	40



Made in the USA Since 1946

Raintight Combination Couplings Liquid Tight Conduit to Rigid Conduit-IMC

- Reusable ferrule
- Steel, zinc plated



UL rated suitable for hazardous locations
Class I, Div. 2; Class II, Div. 1 and 2;
Class III, Div. 1 and 2; NEC 501-4(b),
502-4(a), 503-3(a)

SPEC-grade



Featuring:
EZ-Torque Compression Nut

Combination Coupling (STR-EMT)

Cat. #	Size	Uni Ctn	Std Pkg	WT/ 100
STREMT50RT	1/2"	25	250	15
STREMT75RT	3/4"	10	100	22
STREMT100RT	1"	5	50	40



Liquid Tight Connectors with Female Threaded Hubs

- For Connecting Liquid Tight Conduit with Rigid/IMC Threaded Conduit
- Provides versatility in threaded hub or panelboard applications



SPEC-grade



Featuring:
EZ-Torque Compression Nut

Cat. #	Size	Unit Ctn	Std Pkg	WT/ 100
STR38FR	3/8"	25	125	13
STR50FR	1/2"	25	125	14
STR75FR	3/4"	25	125	21
STR100FR	1"	5	25	31
STR125FR	1 1/4"	5	25	56
STR150FR	1 1/2"	5	25	69
STR200FR	2"	5	25	88

Dimensional Table

Cat. #	A	B
STR38FR	1.08	1 1/8"
STR50FR	1.19	1 1/8"
STR75FR	1.43	1 3/8"
STR100FR	1.75	1 5/8"
STR125FR	2.16	2"
STR150FR	2.38	2 1/4"
STR200FR	2.88	2 3/4"

AMERICAN FITTINGS Corporation



Made in the USA Since 1946

LIQUID TIGHT CONNECTORS
Non-Metallic Liquid Tight Connectors Conduit
Size Range: 3/8" to 2"

Non-Metallic Liquid Tight Connectors For Use with Type B Non-metallic Liquid Tight Conduit

- For use in wet or dry locations where fittings are not subject to harsh physical conditions
- Compact & sturdy PVC fitting furnished with steel locknut and sealing gasket
- NPT Thread
- Corrosion resistant
- Protection from liquid, rain, & oils
- Smooth interior to speed installation and eliminate friction

Straight Connectors

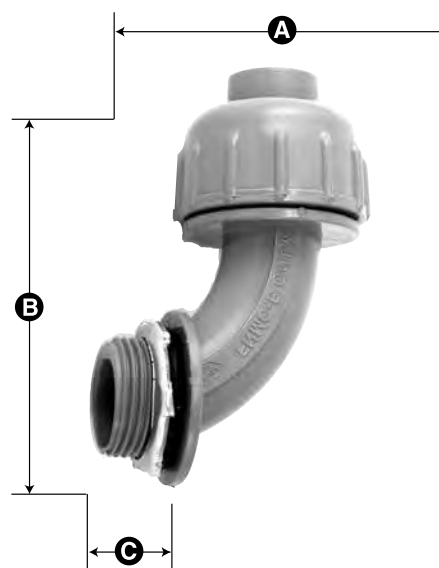
Cat. #	Size	Unit Ctn	Std Pkg	WT/ 100
NML38	3/8"	25	125	9
NML50	1/2" 2	5	125	8
NML75	3/4"	10	50	10
NML100	1"	10	50	14
NML125	1-1/4"	5	5	20
NML150	1-1/2"	4	20	26
NML200	2"	2	10	45

Dimensional Table

Cat. #	A	B	C
NML3890	2.56	2.14	1.09
NML5090	2.56	2.14	1.09
NML7590	2.84	2.38	1.30
NML10090	3.25	2.81	1.50
NML12590	3.96	3.36	2.40
NML15090	4.13	3.45	2.68
NML20090	4.68	4.04	3.35

90° Connectors

Cat. #	Size	Unit Ctn	Std Pkg	WT/ 100
NML3890	3/8"	10	50	9
NML5090	1/2"	10	50	8
NML7590	3/4"	10	50	12
NML10090	1"	5	25	18
NML12590	1-1/4"	2	10	37
NML15090	1-1/2"	2	10	39
NML20090	2"	1	5	70



Dimensional Table

Cat. #	A Diameter	B Overall Length	C Length of Thread
NML38	1.12	2.10	.45
NML50	1.12	2.10	.45
NML75	1.30	2.20	.47
NML100	1.60	2.30	.57
NML125	2.40	2.40	.57
NML150	2.60	2.75	.57
NML200	3.30	3.10	.67

AMERICAN FITTINGS Corporation



Made in the USA Since 1946

LIQUID TIGHT CONNECTORS
Flexible Metal MS Connectors
Cannon Type Plug Adaptor
Size Range: 3/8" to 3/4"

Liquid Tight Flexible Metal MS Connectors (Cannon Type Plug Adaptor)

- UL rated Liquid Tight conduit to female thread
- For industrial applications where liquid tight conduit needs to be connected to female multi pin plug (Cannon type)
- Made from corrosion resistant machined steel, zinc plated

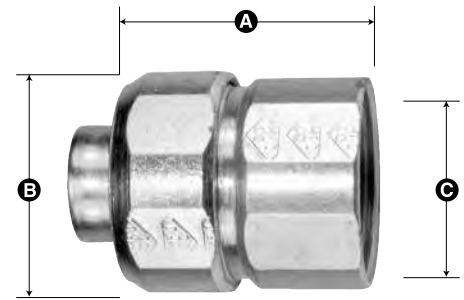


E93605



LR61799

SPEC-grade



Featuring:
EZ-Torque Compression Nut

Dimensional Table

Cat. #	A	B	C
STR38807MS	1.32	1.06	.50
STR3814MS	1.32	1.06	.50
STR3818MS	1.32	1.06	.50
STR5018MS	1.32	1.13	.53
STR5020MS	1.38	1.13	.66
STR7520MS	1.38	1.43	.67

Cat. #	Size	AN-MS Conn Shell Size	Thread Size	Unit Ctn	Std Pkg	WT/ 100
STR38807MS	3/8"		20.5mm x 1.25mm	25	125	10
STR3814MS	3/8"	14, 14S	3/4"-20 UNEF 2B	25	125	10
STR3818MS	3/8"	18	1"-20 UNEF 2B	25	125	10
STR5018MS	1/2"	18	1"-20 UNEF 2B	25	125	14
STR5020MS	1/2"	20, 22	1-3/16"-18 UNEF 2B	20	100	16
STR7520MS	3/4"	20, 22	1-3/16"-18 UNEF 2B	20	100	18

* Also available with stainless steel mesh

Raintight

Cat. #	Size	AN-MS Conn Shell Size	Thread Size	Unit Ctn	Std Pkg	WT/ 100
STR38807MSRT	3/8"		20.5mm x 1.25mm	25	125	10
STR3814MSRT	3/8"	14, 14S	3/4"-20 UNEF 2B	25	125	10
STR3818MSRT	3/8"	18	1"-20 UNEF 2B	25	125	10
STR5018MSRT	1/2"	18	1"-20 UNEF 2B	25	125	14
STR5020MSRT	1/2"	20, 22	1-3/16"-18 UNEF 2B	20	100	16
STR7520MSRT	3/4"	20, 22	1-3/16"-18 UNEF 2B	20	100	18

Liquid Tight Connectors 11

AMFTGS.com

t: 800-221-5268

e: info@amftgs.com



Liquid Tight Connectors with Female Threaded Hubs and Chase Nipples

- For connecting liquid tight conduit into electrical box - inside low profile
- Provides versatility in threaded hub or panelboard applications
- Includes a sealing washer



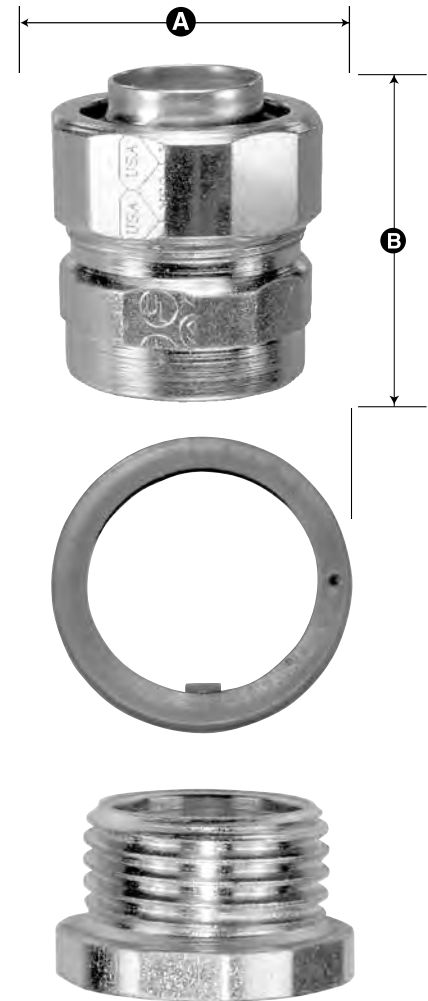
Liquid Tight Female Hub

Cat. #	Size	Unit Ctn	Std Pkg	WT/ 100
STR38FRCN	3/8"	25	125	16
STR50FRCN	1/2"	25	125	17
STR75FRCN	3/4"	25	125	25
STR100FRCN	1"	5	25	40
STR125FRCN	1 1/4"	5	25	73
STR150FRCN	1 1/2"	5	25	90
STR200FRCN	2"	5	25	117

Dimensional Table

Cat. #	A	B	C	D
STR38FRCN	1.09	1.14	.16	1"
STR50FRCN	1.19	1.21	.16	1"
STR75FRCN	1.43	1.24	.16	1 1/4"
STR100FRCN	1.75	1.57	.19	1 5/8"
STR125FRCN	2.16	1.86	.20	1 7/8"
STR150FRCN	2.38	1.97	.25	2 3/16"
STR200FRCN	2.88	2.07	.25	2 11/16"

SPEC-grade



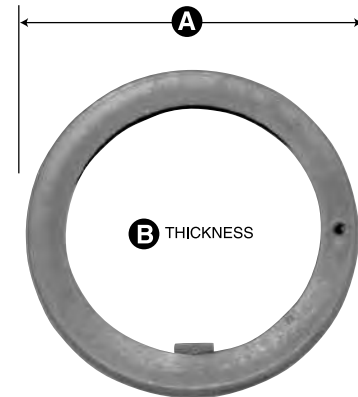
Featuring:
EZ-Torque Compression Nut



Sealing Washers

- Polyethylene
- Moisture resistant

SPEC-grade



Cat. #	Size	Std Pkg	WT/ 100
SW50	1/2"	500	.5
SW75	3/4"	500	.5
SW100	1"	250	1
SW125	1-1/4"	250	1
SW150	1-1/2"	250	1
SW200	2"	250	2
SW250	2-1/2"	100	2
SW300	3"	100	2
SW350	3-1/2"	50	2
SW400	4"	50	2

Dimensional Table

Cat. #	A Diameter	B Thickness
SW50	1.10	.075
SW75	1.34	.080
SW100	1.60	.080
SW125	1.93	.080
SW150	2.20	.080
SW200	2.57	.080
SW250	2.88	.125
SW300	3.52	.125
SW350	4.03	.125
SW400	4.52	.125



Liquid Tight Ferrules Replacements

- Reusable
- Steel, zinc plated
- For improved sealing and grounding

SPEC-grade



Replacement Ferrules

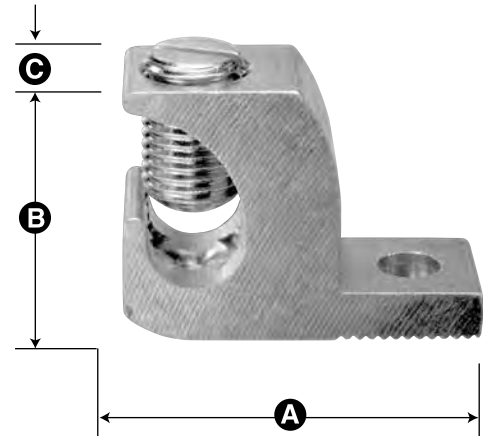
Cat. #	Size	Unit Ctn	Std Pkg	WT/ 100
STR38F	3/8"	100	500	2
STR50F	1/2"	100	500	2
STR75F	3/4"	100	500	3
STR100F	1"	50	250	3
STR125F	1-1/4"	25	125	5
STR150F	1-1/2"	10	50	6
STR200F	2"	5	25	11
STR250F	2-1/2"	-	1	23
STR300F	3"	-	1	16
STR350F	3-1/2"	-	1	50
STR400F	4"	-	1	38

Liquid Tight Connectors 14



Solderless Lugs - Copper and Aluminum

- Lay-in connectors
- High strength, high conductive



Aluminum Alloy 6061

Cat. #	Wire Range CU-AL	Unit Ctn	Std Pkg	WT/ 100
GLA4	4-14	50	500	2
GLA0	1/0-8	25	250	7
GLA250	250 mcm-6	10	100	19

Dimensional Table

Cat. #	A	B	C
GLA4	1.07	.75	.38
GLA0	1.50	1.10	.60
GLA250	2.20	1.70	.80

Copper

Cat. #	Wire Range CU-AL	Unit Ctn	Std Pkg	WT/ 100
GLCU4	4-14	50	500	6
GLCU2	2-8	50	500	5

Dimensional Table

Cat. #	A	B	C
GLCU4	1.30	.88	.40
GLCU2	1.47	.92	.48



Made in the USA Since 1946

Liquid Tight Connectors Reusable Fittings

- Industrial specification grade, screw machined steel, zinc plated
- UL Rated Liquid Tight
- Includes sealing washer
- Bonds conduit to box or enclosure
- Corrosion resistant protection from moisture & oils
- Designed to protect against excessive vibration

Straight Connectors (STR)

Cat. #	Size	Unit Ctn	Std Pkg	WT/ 100
STR38	3/8"	20	200	10
STR50	1/2"	20	200	13
STR75	3/4"	20	100	18
STR100	1"	5	50	32
STR125	1-1/4"	5	25	44
STR150	1-1/2"	5	25	66
STR200	2"	5	25	85
STR250**	2-1/2"	-	5	260
STR300**	3"	-	4	360
STR350**	3-1/2"	-	4	445
STR400**	4"	-	2	520
STR500**	5"	-	1	1150

6" connectors available upon request

** Malleable Iron

Dimensional Table

Cat. #	A Diameter	B Overall Length	C Length of Thread
STR38/B	1.09	1.19	.63
STR50/B	1.19	1.34	.63
STR75/B	1.43	1.43	.63
STR100/B	1.75	1.63	.66
STR125/B	2.16	1.84	.67
STR150/B	2.38	2.00	.72
STR200/B	2.88	2.13	.72
STR250/B	4.00	3.25	1.50
STR300/B	4.63	3.88	1.50
STR350/B	5.50	4.00	1.50
STR400/B	5.82	4.00	1.63
STR500/B	7.00	5.00	1.63

SPEC-grade



E93605



LR61799

UL rated suitable for hazardous locations
Class I, Div. 2; Class II, Div. 1 and 2;
Class III, Div. 1 and 2; NEC 501-4(b), 505-4(a), 503-3(a)

Featuring:
EZ-Torque Compression Nut

Straight Connectors with Insulated Throat

Cat. #	Size	Unit Ctn	Std Pkg	WT/ 100
STR38B	3/8"	20	200	10
STR50B	1/2"	20	200	13
STR75B	3/4"	20	100	18
STR100B	1"	5	50	32
STR125B	1-1/4"	5	25	44
STR150B	1-1/2"	5	25	66
STR200B	2"	5	25	85
STR250B**	2-1/2"	-	5	260
STR300B**	3"	-	4	360
STR350B**	3-1/2"	-	4	445
STR400B**	4"	-	2	520
STR500B**	5"	-	1	1150

6" connectors available upon request

** Malleable Iron



Made in the USA Since 1946

Liquid Tight Connectors 90° Reusable Fittings

- Industrial specification grade steel, zinc plated
- Malleable iron body
- UL rated Liquid Tight
- Includes sealing washer
- Bonds conduit to box or enclosure
- Corrosion resistant protection from moisture & oils
- Designed to protect against excessive vibration

90° Angle Connectors (STR)

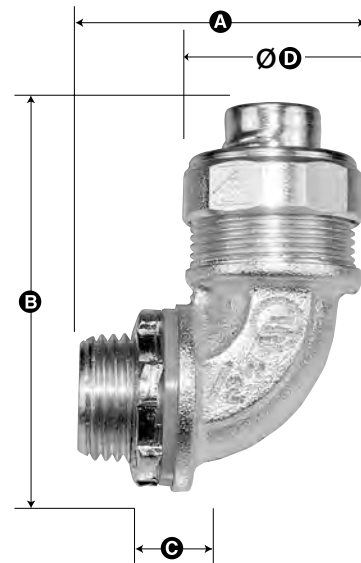
Cat. #	Size	Unit Ctn	Std Pkg	WT/ 100
STR3890**	3/8"	10	100	24
STR5090**	1/2"	10	100	24
STR7590**	3/4"	5	50	38
STR10090**	1"	5	25	70
STR12590**	1-1/4"	2	20	88
STR15090**	1-1/2"	1	10	125
STR20090**	2"	1	5	180
STR25090	2-1/2"	-	2	625
STR30090	3"	-	1	900
STR35090	3-1/2"	-	1	1000
STR40090	4"	-	2	1500

**Steel Nut

Dimensional Table

Cat. #	A	B	C Length of Thread	D Ø
STR3890/B	1.25	1.59	.59	1.09
STR5090/B	1.25	1.66	.59	1.19
STR7590/B	1.53	1.78	.59	1.43
STR10090/B	1.84	2.19	.66	1.75
STR12590/B	1.94	2.38	.69	2.16
STR15090/B	2.09	2.63	.72	2.38
STR20090/B	2.41	3.06	.72	2.88
STR25090/B	8.00	9.25	1.50	?
STR30090/B	8.75	10.50	1.50	?
STR35090/B	10.93	11.50	1.50	?
STR40090/B	12.63	13.00	1.50	?

SPEC-grade



E93605



LR61799

UL rated suitable for hazardous locations
Class I, Div. 2; Class II, Div. 1 and 2;
Class III, Div. 1 and 2; NEC 501-4(b), 505-4(a), 503-3(a)

Featuring:
EZ-Torque Compression Nut

90° Angle Connectors with Insulated Throat

Cat. #	Size	Unit Ctn	Std Pkg	WT/ 100
STR3890B**	3/8"	10	100	24
STR5090B**	1/2"	10	100	24
STR7590B**	3/4"	5	50	38
STR10090B**	1"	5	25	70
STR12590B**	1-1/4"	2	20	88
STR15090B**	1-1/2"	1	10	125
STR20090B**	2"	1	5	180
STR25090B	2-1/2"	-	2	625
STR30090B	3"	-	1	900
STR35090B	3-1/2"	-	1	1000
STR40090B	4"	-	2	1500

**Steel Nut



Made in the USA Since 1946

Liquid Tight Connectors 45° Reusable Fittings

- Industrial specification grade steel, zinc plated
- Malleable iron body
- UL rated Liquid Tight
- Includes sealing washer
- Bonds conduit to box or enclosure
- Corrosion resistant protection from moisture & oils
- Designed to protect against excessive vibration

45° Angle Connectors (STR)

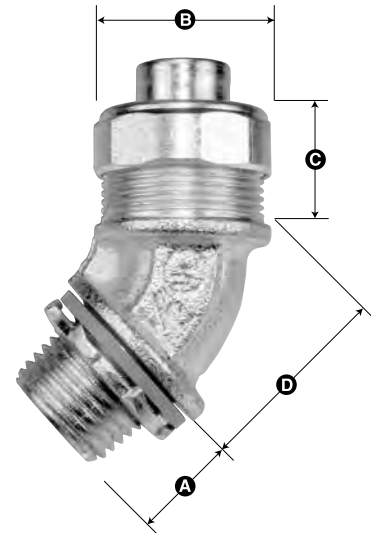
Cat. #	Size	Unit Ctn	Std Pkg	WT/100
STR3845**	3/8"	10	100	21
STR5045**	1/2"	10	100	23
STR7545**	3/4"	10	50	32
STR10045**	1"	5	50	53
STR12545**	1-1/4"	5	25	69
STR15045**	1-1/2"	3	15	99
STR20045**	2"	1	10	152
STR25045	2-1/2"	-	2	478
STR30045	3"	-	2	775
STR35045	3-1/2"	-	1	880
STR40045	4"	-	1	1000

** Steel Nut

Dimensional Table

Cat. #	A	B	C	D
STR3845/B	.59	1.09	1.22	1.03
STR5045/B	.59	1.19	1.32	1.03
STR7545/B	.59	1.43	1.38	1.13
STR10045/B	.66	1.75	1.66	1.25
STR12545/B	.69	2.16	1.72	1.34
STR15045/B	.72	2.38	2.00	1.47
STR20045/B	.72	2.88	2.28	1.63
STR25045/B	1.50	4.00	2.25	4.75
STR30045/B	1.50	4.63	2.50	5.50
STR35045/B	1.56	5.25	2.50	6.50
STR40045/B	1.63	5.81	2.50	7.75

SPEC-grade



E93605



LR61799

UL rated suitable for hazardous locations
Class I, Div. 2; Class II, Div. 1 and 2;
Class III, Div. 1 and 2; NEC 501-4(b), 502-4(a), 503-3(a)

Featuring:
EZ-Torque Compression Nut

45° Angle Connectors with Insulated Throat

Cat. #	Size	Unit Ctn	Std Pkg	WT/100
STR3845B**	3/8"	10	100	21
STR5045B**	1/2"	10	100	23
STR7545B**	3/4"	10	50	32
STR10045B**	1"	5	50	53
STR12545B**	1-1/4"	5	25	69
STR15045B**	1-1/2"	3	15	99
STR20045B**	2"	1	10	152
STR25045B	2-1/2"	-	2	478
STR30045B	3"	-	2	775
STR35045B	3-1/2"	-	1	880
STR40045B	4"	-	1	1000

** Steel Nut



Made in the USA Since 1946

Liquid Tight Connectors Grounding Type with Aluminum Lugs

- A quick, effective solution to connecting liquid tight conduit while terminating a bonding connector in one action
- Sleek screw machined bodies and nuts promote easy installation
- Strong construction and long ferrule prevent pullouts
- All components are reusable
- Furnished with locknut and sealing washer

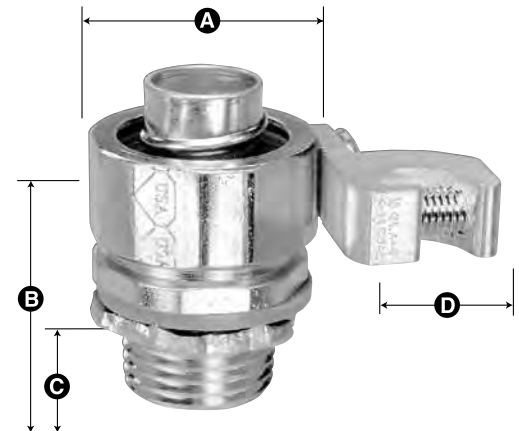
Straight Connectors (STR)

Cat. #	Size	Unit Ctn	Std Pkg	WT/100
STR38GL	3/8"	25	125	12
STR50GL	1/2"	25	125	15
STR75GL	3/4"	25	125	20
STR100GL	1"	10	50	34
STR125GL	1-1/4"	5	25	46
STR150GL	1-1/2"	5	25	68
STR200GL	2"	2	10	87
STR250GL	2-1/2"	-	5	267
STR300GL	3"	-	4	367
STR350GL	3-1/2"	-	3	464
STR400GL	4"	-	2	539

Dimensional Table

Cat. #	A	B	C	D	Wire Size	
	Diameter	Overall Length	Length of Thread	Length of Lug	Min	Max
STR38GL	1.09	1.19	.63	.750	14	4
STR50GL	1.19	1.34	.63	.750	14	4
STR75GL	1.43	1.43	.63	.750	14	4
STR100GL	1.75	1.63	.66	.750	14	4
STR125GL	2.16	1.84	.67	.750	14	4
STR150GL	2.38	2.00	.72	.750	14	4
STR200GL	2.88	2.13	.72	.750	14	4
STR250GL	4.00	3.25	1.50	1.093	8	110
STR300GL	4.63	3.88	1.50	1.093	8	110
STR350GL	5.50	4.00	1.50	1.687	6	250
STR400GL	5.82	4.00	1.63	1.687	6	250

SPEC-grade



UL rated suitable for hazardous locations
Class I, Div. 2; Class II, Div. 1 and 2;
Class III, Div. 1 and 2; NEC 501-4(b), 502-4(a), 503-3(a)

Featuring:
EZ-Torque Compression Nut

Straight Connectors with Insulated Throat

Cat. #	Size	Unit Ctn	Std Pkg	WT/100
STR38BGL	3/8"	25	125	12
STR50BGL	1/2"	25	125	15
STR75BGL	3/4"	25	125	20
STR100BGL	1"	10	50	34
STR125BGL	1-1/4"	5	25	46
STR150BGL	1-1/2"	5	25	68
STR200BGL	2"	2	10	87
STR250BGL	2-1/2"	-	5	267
STR300BGL	3"	-	4	367
STR350BGL	3-1/2"	-	3	464
STR400BGL	4"	-	2	539

AMERICAN FITTINGS Corporation



Made in the USA Since 1946

LIQUID TIGHT CONNECTORS
Grounding Type with Aluminum Lugs: 90° Angle
Size Range: 3/8" to 4"

Liquid Tight Connectors 90° Grounding Type with Aluminum Lugs

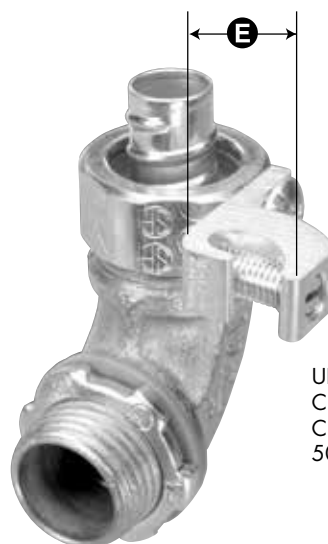
- A quick, effective solution to connecting liquid tight conduit while terminating a bonding connector in one action
- Strong construction and long ferrule prevent pullouts
- All components are reusable
- Furnished with locknut and sealing washer

90° Angle Connectors (STR)

Cat. #	Size	Unit Ctn	Std Pkg	WT/ 100
STR3890GL	3/8"	20	100	26
STR5090GL	1/2"	20	100	26
STR7590GL	3/4"	10	50	40
STR10090GL	1"	5	25	72
STR12590GL	1-1/4"	4	20	90
STR15090GL	1-1/2"	3	15	127
STR20090GL	2"	2	10	182
STR25090GL	2-1/2"	-	2	632
STR30090GL	3"	-	1	907
STR35090GL	3-1/2"	-	1	1019
STR40090GL	4"	-	2	1519

90° Angle Connectors with Insulated Throat

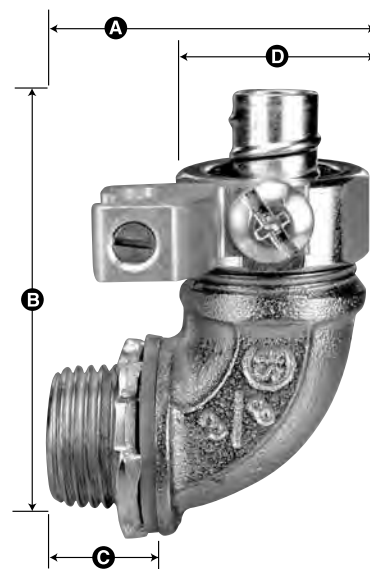
Cat. #	Size	Unit Ctn	Std Pkg	WT/ 100
STR3890GL	3/8"	20	100	26
STR5090GL	1/2"	20	100	26
STR7590GL	3/4"	10	50	40
STR10090GL	1"	5	25	72
STR12590GL	1-1/4"	4	20	90
STR15090GL	1-1/2"	3	15	127
STR20090GL	2"	2	10	182
STR25090GL	2-1/2"	-	2	632
STR30090GL	3"	-	1	907
STR35090GL	3-1/2"	-	1	1019
STR40090GL	4"	-	2	1519



SPEC-grade



UL rated suitable for hazardous locations
Class I, Div. 2; Class II, Div. 1 and 2;
Class III, Div. 1 and 2; NEC 501-4(b),
502-4(a), 503-3(a)



Featuring:
EZ-Torque Compression Nut

Dimensional Table

Cat. #	A	B	C	D	E	Wire Min	Size Max
STR3890GL	1.25	1.59	.59	1.09	.750	14	4
STR5090GL	1.25	1.66	.59	1.19	.750	14	4
STR7590GL	1.53	1.78	.59	1.43	.750	14	4
STR10090GL	1.84	2.19	.66	1.75	.750	14	4
STR12590GL	1.94	2.38	.69	2.16	.750	14	4
STR15090GL	2.09	2.63	.72	2.38	.750	14	4
STR20090GL	2.41	3.06	.72	2.88	.750	14	4
STR25090GL	8.00	9.25	1.50	4.00	1.093	8	110
STR30090GL	8.75	10.50	1.50	4.63	1.093	8	110
STR35090GL	10.93	11.50	1.50	5.50	1.687	6	250
STR40090GL	12.63	13.00	1.50	5.82	1.687	6	250

Liquid Tight Connectors 5

AMFTGS.com

t: 800-221-5268

e: info@amftgs.com

AMERICAN FITTINGS Corporation



Made in the USA Since 1946

LIQUID TIGHT CONNECTORS
Grounding Type with Aluminum Lugs: 45° Angle
Size Range: 3/8" to 4"

Liquid Tight Connectors 45° Grounding Type with Aluminum Lugs

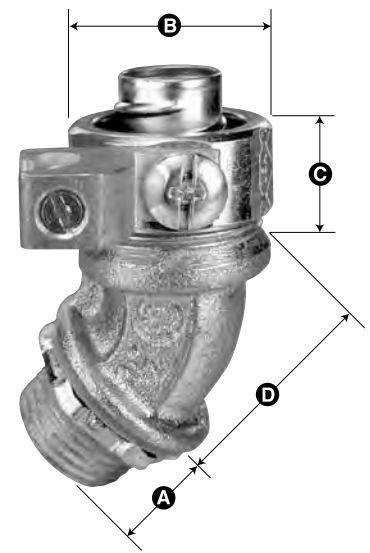
- A quick, effective solution to connecting liquid tight conduit while terminating a bonding connector in one action
- Strong construction and long ferrule prevent pullouts
- All components are reusable
- Furnished with locknut and sealing washer

45° Angle Connectors (STR)

Cat. #	Size	Unit Ctn	Std Pkg	WT/ 100
STR3845GL	3/8"	20	100	23
STR5045GL	1/2"	20	100	25
STR7545GL	3/4"	10	50	34
STR10045GL	1"	5	25	55
STR12545GL	1-1/4"	4	20	71
STR15045GL	1-1/2"	3	15	101
STR20045GL	2"	2	10	154
STR25045GL	2-1/2"	-	4	485
STR30045GL	3"	-	2	782
STR35045GL	3-1/2"	-	2	899
STR40045GL	4"	-	1	1019

45° Angle Connectors with Insulated Throat

Cat. #	Size	Unit Ctn	Std Pkg	WT/ 100
STR3845BGL	3/8"	20	100	23
STR5045BGL	1/2"	20	100	25
STR7545BGL	3/4"	10	50	34
STR10045BGL	1"	5	25	55
STR12545BGL	1-1/4"	4	20	71
STR15045BGL	1-1/2"	3	15	101
STR20045BGL	2"	2	10	154
STR25045BGL	2-1/2"	-	4	485
STR30045BGL	3"	-	2	782
STR35045BGL	3-1/2"	-	2	899
STR40045BGL	4"	-	1	1019



Featuring:
EZ-Torque Compression Nut

Dimensional Table

Cat. #	A	B	C	D	E
STR3845GL	.59	1.09	1.22	1.03	.750
STR5045GL	.59	1.19	1.32	1.03	.750
STR7545GL	.59	1.43	1.38	1.13	.750
STR10045GL	.66	1.75	1.66	1.25	.750
STR12545GL	.69	2.16	1.72	1.34	.750
STR15045GL	.72	2.38	2.00	1.47	.750
STR20045GL	.72	2.88	2.28	1.63	.750
STR25045GL	1.50	4.00	2.25	4.75	1.093
STR30045GL	1.50	4.63	2.50	5.50	1.093
STR35045GL	1.56	5.25	2.50	6.50	1.687
STR40045GL	1.63	5.81	2.50	7.75	1.687

Liquid Tight Connectors 6



Made in the USA Since 1946

Combination Couplings *Liquid Tight Conduit to EMT*

- Reusable ferrule
- For rooftop HVAC air conditioners and motor hook-ups
- Steel, zinc plated



UL rated suitable for hazardous locations
Class I, Div. 2; Class II, Div. 1 and 2;
Class III, Div. 1 and 2; NEC 501-4(b),
502-4(a), 503-3(a)

SPEC-grade



Featuring:
EZ-Torque Compression Nut

Cat. #	Size	Uni Ctn	Std Pkg	WT/ 100
STREMT50	1/2"	25	250	15
STREMT75	3/4"	10	100	22
STREMT100	1"	5	50	40



Made in the USA Since 1946

Raintight Combination Couplings Liquid Tight Conduit to Rigid Conduit-IMC

- Reusable ferrule
- Steel, zinc plated



UL rated suitable for hazardous locations
Class I, Div. 2; Class II, Div. 1 and 2;
Class III, Div. 1 and 2; NEC 501-4(b),
502-4(a), 503-3(a)

SPEC-grade



Featuring:
EZ-Torque Compression Nut

Combination Coupling (STR-EMT)

Cat. #	Size	Uni Ctn	Std Pkg	WT/ 100
STREMT50RT	1/2"	25	250	15
STREMT75RT	3/4"	10	100	22
STREMT100RT	1"	5	50	40



Liquid Tight Connectors with Female Threaded Hubs

- For Connecting Liquid Tight Conduit with Rigid/IMC Threaded Conduit
- Provides versatility in threaded hub or panelboard applications



SPEC-grade



Featuring:
EZ-Torque Compression Nut

Cat. #	Size	Unit Ctn	Std Pkg	WT/ 100
STR38FR	3/8"	25	125	13
STR50FR	1/2"	25	125	14
STR75FR	3/4"	25	125	21
STR100FR	1"	5	25	31
STR125FR	1 1/4"	5	25	56
STR150FR	1 1/2"	5	25	69
STR200FR	2"	5	25	88

Dimensional Table

Cat. #	A	B
STR38FR	1.08	1 1/8"
STR50FR	1.19	1 1/8"
STR75FR	1.43	1 3/8"
STR100FR	1.75	1 5/8"
STR125FR	2.16	2"
STR150FR	2.38	2 1/4"
STR200FR	2.88	2 3/4"

AMERICAN FITTINGS Corporation



Made in the USA Since 1946

LIQUID TIGHT CONNECTORS
Non-Metallic Liquid Tight Connectors Conduit
Size Range: 3/8" to 2"

Non-Metallic Liquid Tight Connectors For Use with Type B Non-metallic Liquid Tight Conduit

- For use in wet or dry locations where fittings are not subject to harsh physical conditions
- Compact & sturdy PVC fitting furnished with steel locknut and sealing gasket
- NPT Thread
- Corrosion resistant
- Protection from liquid, rain, & oils
- Smooth interior to speed installation and eliminate friction

Straight Connectors

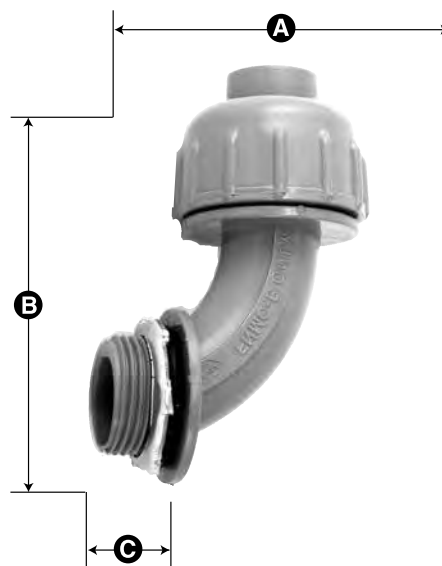
Cat. #	Size	Unit Ctn	Std Pkg	WT/ 100
NML38	3/8"	25	125	9
NML50	1/2" 2	5	125	8
NML75	3/4"	10	50	10
NML100	1"	10	50	14
NML125	1-1/4"	5	5	20
NML150	1-1/2"	4	20	26
NML200	2"	2	10	45

Dimensional Table

Cat. #	A	B	C
NML3890	2.56	2.14	1.09
NML5090	2.56	2.14	1.09
NML7590	2.84	2.38	1.30
NML10090	3.25	2.81	1.50
NML12590	3.96	3.36	2.40
NML15090	4.13	3.45	2.68
NML20090	4.68	4.04	3.35

90° Connectors

Cat. #	Size	Unit Ctn	Std Pkg	WT/ 100
NML3890	3/8"	10	50	9
NML5090	1/2"	10	50	8
NML7590	3/4"	10	50	12
NML10090	1"	5	25	18
NML12590	1-1/4"	2	10	37
NML15090	1-1/2"	2	10	39
NML20090	2"	1	5	70



Dimensional Table

Cat. #	A Diameter	B Overall Length	C Length of Thread
NML38	1.12	2.10	.45
NML50	1.12	2.10	.45
NML75	1.30	2.20	.47
NML100	1.60	2.30	.57
NML125	2.40	2.40	.57
NML150	2.60	2.75	.57
NML200	3.30	3.10	.67

AMERICAN FITTINGS Corporation



Made in the USA Since 1946

LIQUID TIGHT CONNECTORS
Flexible Metal MS Connectors
Cannon Type Plug Adaptor
Size Range: 3/8" to 3/4"

Liquid Tight Flexible Metal MS Connectors (Cannon Type Plug Adaptor)

- UL rated Liquid Tight conduit to female thread
- For industrial applications where liquid tight conduit needs to be connected to female multi pin plug (Cannon type)
- Made from corrosion resistant machined steel, zinc plated

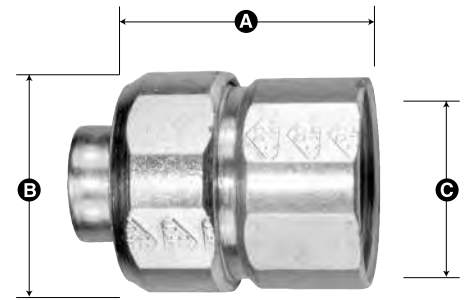


E93605



LR61799

SPEC-grade



Featuring:
EZ-Torque Compression Nut

Dimensional Table

Cat. #	A	B	C
STR38807MS	1.32	1.06	.50
STR3814MS	1.32	1.06	.50
STR3818MS	1.32	1.06	.50
STR5018MS	1.32	1.13	.53
STR5020MS	1.38	1.13	.66
STR7520MS	1.38	1.43	.67

Cat. #	Size	AN-MS Conn Shell Size	Thread Size	Unit Ctn	Std Pkg	WT/ 100
STR38807MS	3/8"		20.5mm x 1.25mm	25	125	10
STR3814MS	3/8"	14, 14S	3/4"-20 UNEF 2B	25	125	10
STR3818MS	3/8"	18	1"-20 UNEF 2B	25	125	10
STR5018MS	1/2"	18	1"-20 UNEF 2B	25	125	14
STR5020MS	1/2"	20, 22	1-3/16"-18 UNEF 2B	20	100	16
STR7520MS	3/4"	20, 22	1-3/16"-18 UNEF 2B	20	100	18

* Also available with stainless steel mesh

Raintight

Cat. #	Size	AN-MS Conn Shell Size	Thread Size	Unit Ctn	Std Pkg	WT/ 100
STR38807MSRT	3/8"		20.5mm x 1.25mm	25	125	10
STR3814MSRT	3/8"	14, 14S	3/4"-20 UNEF 2B	25	125	10
STR3818MSRT	3/8"	18	1"-20 UNEF 2B	25	125	10
STR5018MSRT	1/2"	18	1"-20 UNEF 2B	25	125	14
STR5020MSRT	1/2"	20, 22	1-3/16"-18 UNEF 2B	20	100	16
STR7520MSRT	3/4"	20, 22	1-3/16"-18 UNEF 2B	20	100	18

Liquid Tight Connectors 11

AMFTGS.com

t: 800-221-5268

e: info@amftgs.com



Made in the USA Since 1946

Liquid Tight Connectors with Female Threaded Hubs and Chase Nipples

- For connecting liquid tight conduit into electrical box - inside low profile
- Provides versatility in threaded hub or panelboard applications
- Includes a sealing washer



Liquid Tight Female Hub

Cat. #	Size	Unit Ctn	Std Pkg	WT/ 100
STR38FRCN	3/8"	25	125	16
STR50FRCN	1/2"	25	125	17
STR75FRCN	3/4"	25	125	25
STR100FRCN	1"	5	25	40
STR125FRCN	1 1/4"	5	25	73
STR150FRCN	1 1/2"	5	25	90
STR200FRCN	2"	5	25	117

Dimensional Table

Cat. #	A	B	C	D
STR38FRCN	1.09	1.14	.16	1"
STR50FRCN	1.19	1.21	.16	1"
STR75FRCN	1.43	1.24	.16	1 1/4"
STR100FRCN	1.75	1.57	.19	1 5/8"
STR125FRCN	2.16	1.86	.20	1 7/8"
STR150FRCN	2.38	1.97	.25	2 3/16"
STR200FRCN	2.88	2.07	.25	2 11/16"

SPEC-grade



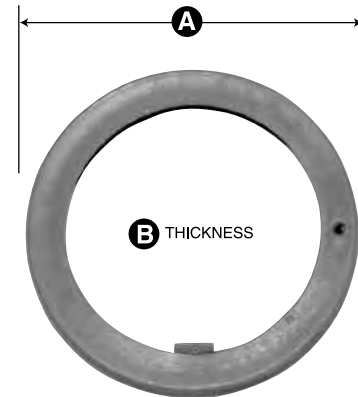
Featuring:
EZ-Torque Compression Nut



Sealing Washers

- Polyethylene
- Moisture resistant

SPEC-grade



Cat. #	Size	Std Pkg	WT/ 100
SW50	1/2"	500	.5
SW75	3/4"	500	.5
SW100	1"	250	1
SW125	1-1/4"	250	1
SW150	1-1/2"	250	1
SW200	2"	250	2
SW250	2-1/2"	100	2
SW300	3"	100	2
SW350	3-1/2"	50	2
SW400	4"	50	2

Dimensional Table

Cat. #	A Diameter	B Thickness
SW50	1.10	.075
SW75	1.34	.080
SW100	1.60	.080
SW125	1.93	.080
SW150	2.20	.080
SW200	2.57	.080
SW250	2.88	.125
SW300	3.52	.125
SW350	4.03	.125
SW400	4.52	.125



Liquid Tight Ferrules Replacements

- Reusable
- Steel, zinc plated
- For improved sealing and grounding

SPEC-grade



Replacement Ferrules

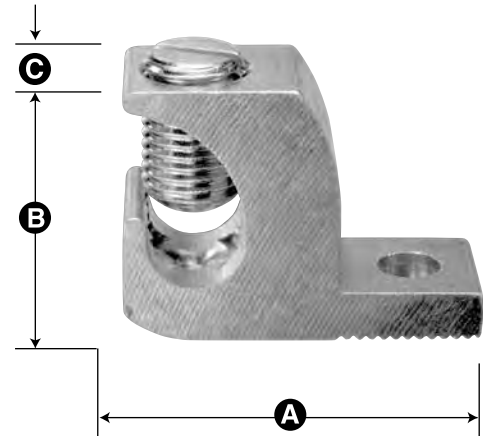
Cat. #	Size	Unit Ctn	Std Pkg	WT/ 100
STR38F	3/8"	100	500	2
STR50F	1/2"	100	500	2
STR75F	3/4"	100	500	3
STR100F	1"	50	250	3
STR125F	1-1/4"	25	125	5
STR150F	1-1/2"	10	50	6
STR200F	2"	5	25	11
STR250F	2-1/2"	-	1	23
STR300F	3"	-	1	16
STR350F	3-1/2"	-	1	50
STR400F	4"	-	1	38

Liquid Tight Connectors 14



Solderless Lugs - Copper and Aluminum

- Lay-in connectors
- High strength, high conductive



Aluminum Alloy 6061

Cat. #	Wire Range CU-AL	Unit Ctn	Std Pkg	WT/ 100
GLA4	4-14	50	500	2
GLA0	1/0-8	25	250	7
GLA250	250 mcm-6	10	100	19

Dimensional Table

Cat. #	A	B	C
GLA4	1.07	.75	.38
GLA0	1.50	1.10	.60
GLA250	2.20	1.70	.80

Copper

Cat. #	Wire Range CU-AL	Unit Ctn	Std Pkg	WT/ 100
GLCU4	4-14	50	500	6
GLCU2	2-8	50	500	5

Dimensional Table

Cat. #	A	B	C
GLCU4	1.30	.88	.40
GLCU2	1.47	.92	.48