

Decorator Devices

P&S Signature™ Devices & Wall Plates

Product Selection & Installation

Product Selection Process

- **Identify device**, see Pages E-71 through E-75.
- **Select wall plate shape** – straight, curved or molding, see Pages E-76 and E-77.
- **Select base wall plate color** (match device) – White, Light Almond or Black.
- **Select end cap trim color or finish** – 11 different colors and finishes to choose from:
Aged Bronze, Aged Copper, Black, Brushed Brass, Brushed Nickel, Green Tea, Light Almond, Regatta Blue, Stainless Steel, Summerfield Yellow, or White.

Device Installation

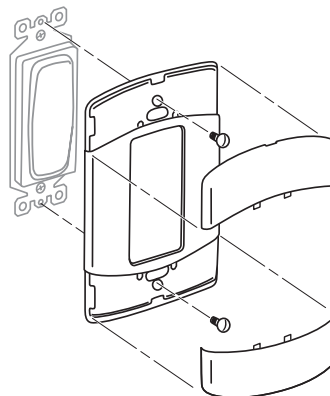
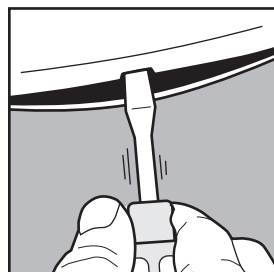
- Wire the same as standard P&S devices and have the same great features, quality, and reliability.
- Decorator insert available to convert a toggle switch to Decorator, see Page E-75.

Wall Plate Features

- Screwless wall plates with no sub-plates.
- Modular “end cap” design hides screws.
- 45 different styles (available in one through four gang = 180 Total SKUs).
- Five distinct shapes with straight or curved end cap trims and moldings – crown, beaded, and dentil.
- 11 end cap trim colors and finishes available including vivid colors and metallics or monochromatic.

Wall Plate Installation & Removal

- Screwless with no sub-plate required.
- End caps snap on without tools.
- Use a small screwdriver to remove.



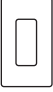
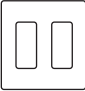
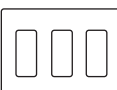
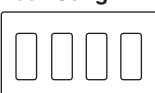

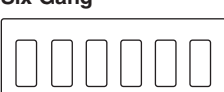
Decorator Devices

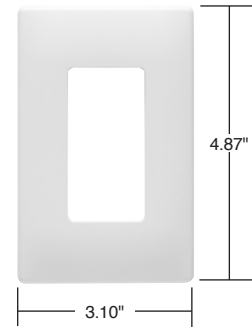
Screwless Decorator Openings

Polycarbonate

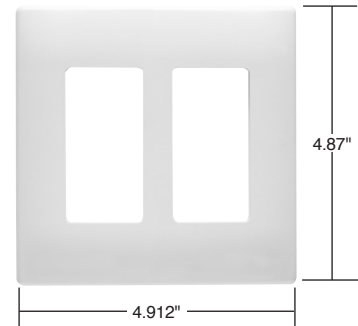
Pass & Seymour



Description	Color	Metal Subplate	Plastic Subplate
Screwless Decorator Openings — subplate included NEW			
One Gang 	Ivory White Brown Gray Black Light Almond	SW26I SW26W SW26 SW26GRY SW26BK SW26LA	SWP26I SWP262 SWP26 SWP26GRY SWP26BK SWP26LA
Two Gang 	Ivory White Brown Gray Black Light Almond	SW262I SW262W SW262 SW262GRY SW262BK SW262LA	SWP262I SWP262W SWP262 SWP262GRY SWP262BK SWP262LA
Three Gang 	Ivory White Brown Gray Black Light Almond	SW263I SW263W SW263 SW263GRY SW263BK SW263LA	SWP263I SWP263W SWP263 SWP263GRY SWP263BK SWP263LA
Four Gang 	Ivory White Brown Gray Black Light Almond	SW264I SW264W SW264 SW264GRY SW264BK SW264LA	SWP264I SWP264W SWP264 SWP264GRY SWP264BK SWP264LA
Five Gang 	Ivory White Brown Gray Black Light Almond	SW265I SW265W SW265 SW265GRY SW265BK SW265LA	
Six Gang 	Ivory White Brown Gray Black Light Almond	SW266I SW266W SW266 SW266GRY SW266BK SW266LA	



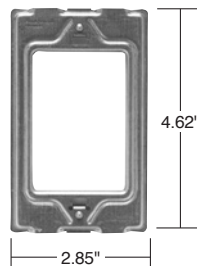
One Gang



Two Gang

Description	Height	Width
Screwless Wall Plate Dimensions		
One Gang	4.87"	3.10"
Two Gang	4.87"	4.912"
Three Gang	4.87"	6.724"
Four Gang	4.87"	8.536"
Five Gang	4.87"	10.348"
Six Gang	4.87"	12.16"

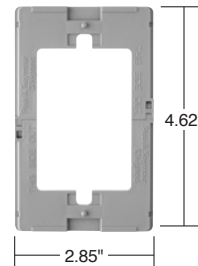
Description	Height	Width
Screwless Subplate Dimensions		
One Gang	4.62"	2.85"
Two Gang	4.62"	4.662"
Three Gang	4.62"	6.474"
Four Gang	4.62"	8.286"
Five Gang	4.62"	10.098"
Six Gang	4.62"	11.910"



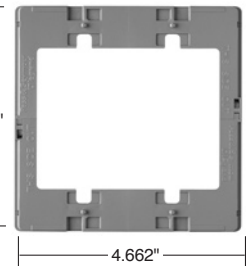
One Gang Metal Subplate



Two Gang Metal Subplate



One Gang Plastic Subplate



Two Gang Plastic Subplate