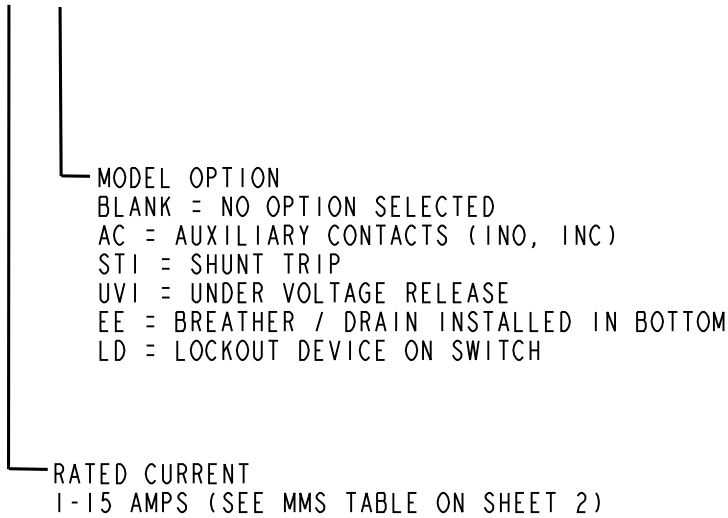



**CATALOG NOMENCLATURE:**

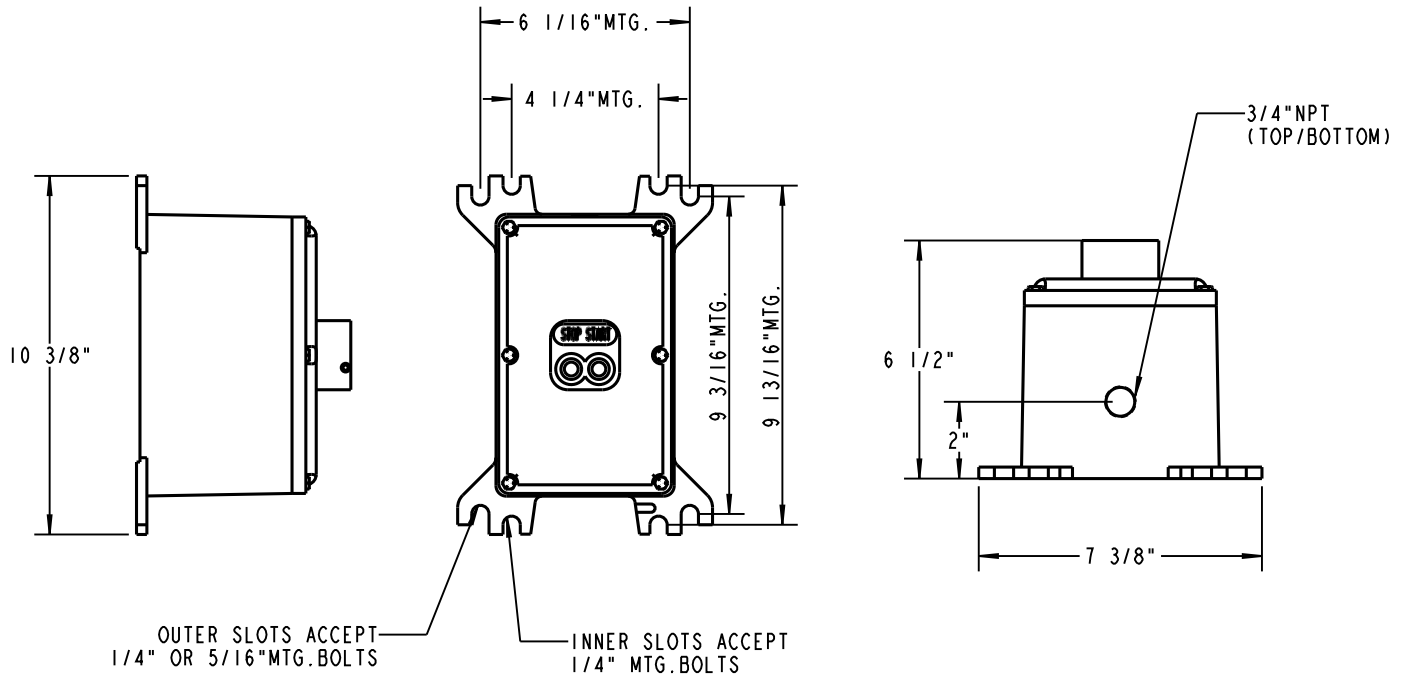
XPMS XX XX



**CERTIFICATIONS:**

CLASS I, DIVISION 1 & 2, GROUPS C, D  
 CLASS II, DIVISION 1 & 2, GROUPS E, F, G  
 UL STANDARD 1203 (CLASSIFIED)  
 CSA STANDARD C22.2 NO. 25 & 30  
 ENCLOSURE NEMA TYPE 4, 4X 7CD, 9EFG

<b>GENERAL NOTES</b>		 A Member of the ABB Group			
1. ALL DIMENSIONS ARE FOR REFERENCE ONLY. 2. DIMENSIONS IN BRACKETS [ ] ARE IN METRIC UNITS.					
<b>REVISIONS</b>		DESCRIPTION: <b>OUTLINE FOR XPMMS SERIES                  EXPLOSION PROOF MANUAL MOTOR STARTER, MAGELLAN</b>			
0	SEE ERN ( **** ) FOR APPROVAL SIGNATURES & RELEASE DATE. PROJECT NO: ****	ORIGINAL PROJECT NO / ( ERN NO ) <b>137D000949 / ( 2017993 )</b>	SHEET NO: <b>1 OF 3</b>	REV. NO: <b>0</b>	DRAWING NO: <b>WSD-001629</b>



<b>GENERAL NOTES</b>		<b>Thomas &amp; Betts</b> A Member of the ABB Group			
1. ALL DIMENSIONS ARE FOR REFERENCE ONLY. 2. DIMENSIONS IN BRACKETS [ ] ARE IN METRIC UNITS.					
<b>REVISIONS</b>		<b>DESCRIPTION:</b>			
0 SEE ERN ( **** ) FOR APPROVAL SIGNATURES & RELEASE DATE. PROJECT NO: ****		<b>OUTLINE FOR XPMMS SERIES EXPLOSION PROOF MANUAL MOTOR STARTER, MAGELLAN</b>			
		ORIGINAL PROJECT NO / ( ERN NO )	SHEET NO:	REV. NO:	DRAWING NO:
		137D000949 / ( 2017993 )	2 OF 3	0	WSD-001629

THIS DRAWING IS INTENDED FOR DESCRIPTIVE PURPOSES ONLY. AND THE RIGHT IS RESERVED TO DEVIATE FROM ANY OF THE DETAILS SHOWN HEREON. COPYRIGHT THOMAS & BETTS CORPORATION. ALL RIGHTS RESERVED. PROPRIETARY AND CONFIDENTIAL.

RATED INSTANTANEOUS SHORT-CIRCUIT CURRENT SETTING I <sub>sc</sub> [A]	RATED CURRENT I/CONVENTIONAL FREE-AIR THERMAL CURRENT I [A]	MOTOR RATING, THREE PHASE												MOTOR RATING SINGLE PHASE						ENCLOSURE WITH STARTER CATALOG NO.	ABB STARTER USED
		110-120 VAC			220-240 VAC			440-480 VAC			500-600 VAC			220-240 VAC			440-480 VAC				
		HP	FLA	LRA	HP	FLA	LRA	HP	FLA	LRA	HP	FLA	LRA	HP	FLA	LRA	HP	FLA	LRA		
1.25...1.87	0.16	-	0.16	0.96	-	0.16	0.96	-	0.16	0.96	-	0.16	0.96	-	0.16	0.96	-	0.16	0.96	XPMS1	MS132-0.16
1.95...2.92	0.25	-	0.25	1.5	-	0.25	1.5	-	0.25	1.5	-	0.25	1.5	-	0.25	1.5	-	0.25	1.5	XPMS2	MS132-0.25
3.12...4.68	0.40	-	0.4	2.4	-	0.4	2.4	-	0.4	2.4	-	0.4	2.4	-	0.4	2.4	-	0.4	2.4	XPMS3	MS132-0.4
4.91...7.37	0.63	-	0.63	3.78	-	0.63	3.78	-	0.63	3.78	-	0.63	3.78	-	0.63	3.78	-	0.63	3.78	XPMS4	MS132-0.63
9.20...13.8	1.00	-	1	6	-	1	6	-	1	6	1/2	1	6	1/2	1	6	-	1	6	XPMS5	MS132-1.0
14.7...22.1	1.60	-	1.6	9.6	-	1.6	9.6	3/4	1.6	9.6	3/4	1.6	9.6	3/4	1.6	9.6	-	1.6	9.6	XPMS6	MS132-1.6
23.0...34.5	2.50	-	2.5	15	1/2	2.5	15	1	2.5	15	1 1/2	2.5	15	1 1/2	2.5	15	1/2	2.5	15	XPMS7	MS132-2.5
40.0...60.0	4.00	-	4	24	1	4	24	2	4	24	3	3.9	26	3	4	24	1/2	4	24	XPMS8	MS132-4.0
63.0...94.5	6.30	1/2	6.3	37.8	1 1/2	6.3	37.8	3	4.8	32	5	6.1	37	5	6.3	37.8	1	6.3	37.8	XPMS9	MS132-6.3
120...180	10.00	3/4	10	60	3	9.6	64	5	7.6	46	7 1/2	9	51	7 1/2	10	60	3	8.5	46	XPMS10	MS132-10
144...216	12.00	1 1/2	12	72	3	9.6	64	7 1/2	11	64	10	11	65	10	12	72	3	8.5	64	XPMS11	MS132-12
192...288	16.00	2	16	84	5	15.2	92	10	14	81	10	11	65	10	12	72	5	14	81	XPMS12	MS132-16
240...360	20.00	3	19.2	128	5	15.2	92	10	14	81	15	17	93	15	17	92	5	14	81	XPMS13	MS132-20
300...450	25.00	3	19.2	128	7 1/2	22	127	15	21	116	20	22	116	20	17	127	7 1/2	21	116	XPMS14	MS132-25
384...576	32.00	5	30.4	184	10	28	162	20	27	145	25	27	146	25	28	162	0	26	145	XPMS15	MS132-32

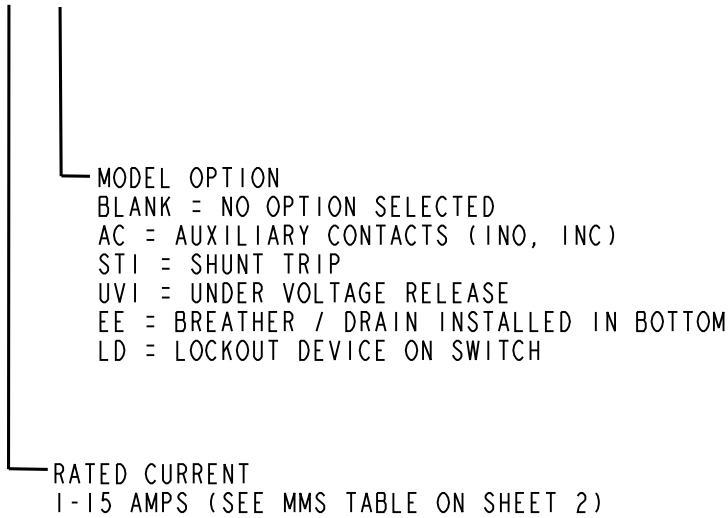
**CATALOG • SELECTOR GUIDE**

MANUAL MOTOR STARTER					
1	2	3			
XP	MMS	I			
1	XP = EXPLOSION PROOF				
2	MMS = MANUAL MOTOR STARTER				
3	I - 15 RATED CURRENT(SEE MMS TABLE)				

<b>Thomas &amp; Betts</b> A Member of the ABB Group		
www.tnb.com		
DESCRIPTION: <b>OUTLINE FOR XPMMS SERIES EXPLOSION PROOF MANUAL MOTOR STARTER, MAGELLAN</b>		
SHEET NO: <b>3 OF 3</b>	REV. NO: <b>0</b>	DRAWING NO: <b>WSD-001629</b>


**CATALOG NOMENCLATURE:**

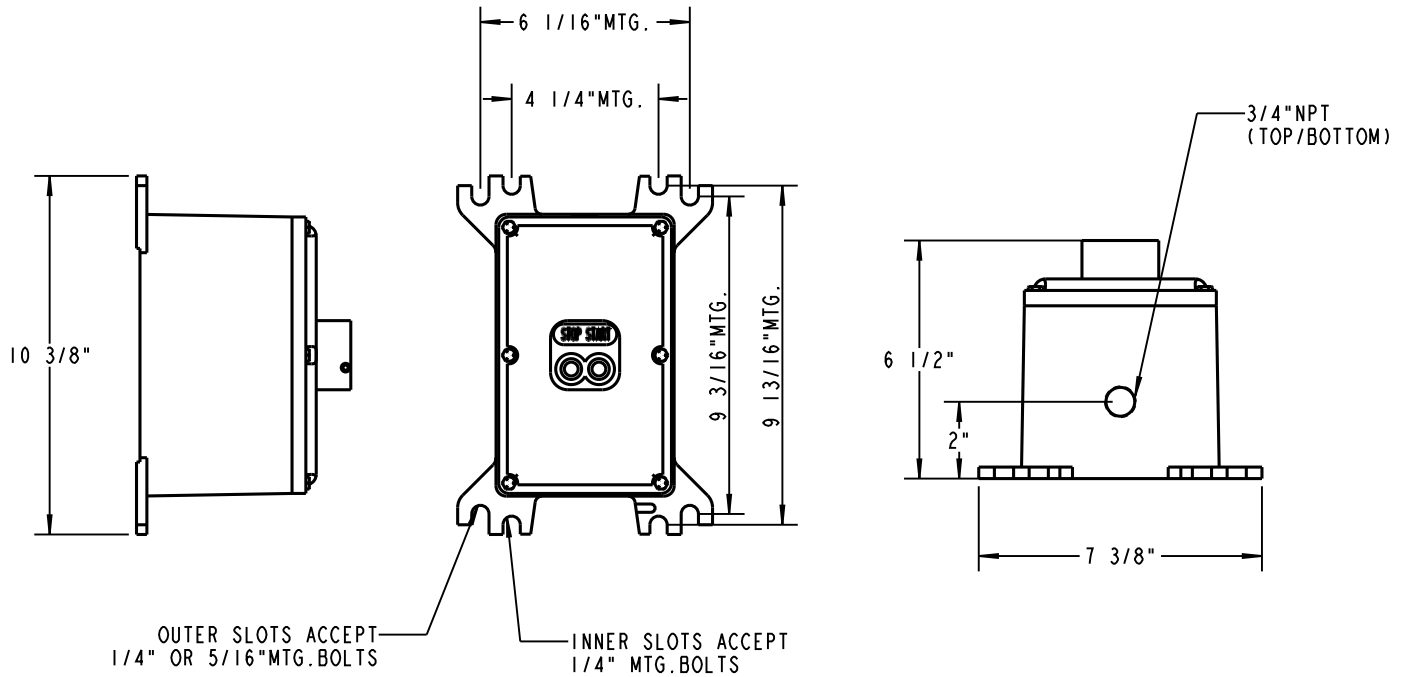
XPMS XX XX




**CERTIFICATIONS:**

CLASS I, DIVISION 1 & 2, GROUPS C, D  
 CLASS II, DIVISION 1 & 2, GROUPS E, F, G  
 UL STANDARD 1203 (CLASSIFIED)  
 CSA STANDARD C22.2 NO. 25 & 30  
 ENCLOSURE NEMA TYPE 4, 4X 7CD, 9EFG

<b>GENERAL NOTES</b>		 A Member of the ABB Group			
1. ALL DIMENSIONS ARE FOR REFERENCE ONLY. 2. DIMENSIONS IN BRACKETS [ ] ARE IN METRIC UNITS.					
<b>REVISIONS</b>		<b>DESCRIPTION: OUTLINE FOR XPMMS SERIES                  EXPLOSION PROOF MANUAL MOTOR STARTER, MAGELLAN</b>			
0	SEE ERN ( **** ) FOR APPROVAL SIGNATURES & RELEASE DATE. PROJECT NO: ****	ORIGINAL PROJECT NO / ( ERN NO ) <b>137D000949 / ( 2017993 )</b>	SHEET NO: <b>1 OF 3</b>	REV. NO: <b>0</b>	DRAWING NO: <b>WSD-001629</b>



<b>GENERAL NOTES</b>		 A Member of the ABB Group			
1. ALL DIMENSIONS ARE FOR REFERENCE ONLY. 2. DIMENSIONS IN BRACKETS [ ] ARE IN METRIC UNITS.					
<b>REVISIONS</b>		<b>DESCRIPTION:                    OUTLINE FOR XPMMS SERIES</b> <b>EXPLOSION PROOF MANUAL MOTOR STARTER, MAGELLAN</b>			
0	SEE ERN ( **** ) FOR APPROVAL SIGNATURES & RELEASE DATE. PROJECT NO: ****	ORIGINAL PROJECT NO / ( ERN NO )	SHEET NO:	REV. NO:	DRAWING NO:
		137D000949 / ( 2017993 )	2 OF 3	0	WSD-001629

THIS DRAWING IS INTENDED FOR DESCRIPTIVE PURPOSES ONLY. AND THE RIGHT IS RESERVED TO DEVIATE FROM ANY OF THE DETAILS SHOWN HEREON. COPYRIGHT THOMAS & BETTS CORPORATION. ALL RIGHTS RESERVED. PROPRIETARY AND CONFIDENTIAL.

RATED INSTANTANEOUS SHORT-CIRCUIT CURRENT SETTING I <sub>sc</sub> [A]	RATED CURRENT I/CONVENTIONAL FREE-AIR THERMAL CURRENT I [A]	MOTOR RATING, THREE PHASE												MOTOR RATING SINGLE PHASE						ENCLOSURE WITH STARTER CATALOG NO.	ABB STARTER USED
		110-120 VAC			220-240 VAC			440-480 VAC			500-600 VAC			220-240 VAC			440-480 VAC				
		HP	FLA	LRA	HP	FLA	LRA	HP	FLA	LRA	HP	FLA	LRA	HP	FLA	LRA	HP	FLA	LRA		
1.25...1.87	0.16	-	0.16	0.96	-	0.16	0.96	-	0.16	0.96	-	0.16	0.96	-	0.16	0.96	-	0.16	0.96	XPMS1	MS132-0.16
1.95...2.92	0.25	-	0.25	1.5	-	0.25	1.5	-	0.25	1.5	-	0.25	1.5	-	0.25	1.5	-	0.25	1.5	XPMS2	MS132-0.25
3.12...4.68	0.40	-	0.4	2.4	-	0.4	2.4	-	0.4	2.4	-	0.4	2.4	-	0.4	2.4	-	0.4	2.4	XPMS3	MS132-0.4
4.91...7.37	0.63	-	0.63	3.78	-	0.63	3.78	-	0.63	3.78	-	0.63	3.78	-	0.63	3.78	-	0.63	3.78	XPMS4	MS132-0.63
9.20...13.8	1.00	-	1	6	-	1	6	-	1	6	1/2	1	6	1/2	1	6	-	1	6	XPMS5	MS132-1.0
14.7...22.1	1.60	-	1.6	9.6	-	1.6	9.6	3/4	1.6	9.6	3/4	1.6	9.6	3/4	1.6	9.6	-	1.6	9.6	XPMS6	MS132-1.6
23.0...34.5	2.50	-	2.5	15	1/2	2.5	15	1	2.5	15	1 1/2	2.5	15	1 1/2	2.5	15	1/2	2.5	15	XPMS7	MS132-2.5
40.0...60.0	4.00	-	4	24	1	4	24	2	4	24	3	3.9	26	3	4	24	1/2	4	24	XPMS8	MS132-4.0
63.0...94.5	6.30	1/2	6.3	37.8	1 1/2	6.3	37.8	3	4.8	32	5	6.1	37	5	6.3	37.8	1	6.3	37.8	XPMS9	MS132-6.3
120...180	10.00	3/4	10	60	3	9.6	64	5	7.6	46	7 1/2	9	51	7 1/2	10	60	3	8.5	46	XPMS10	MS132-10
144...216	12.00	1 1/2	12	72	3	9.6	64	7 1/2	11	64	10	11	65	10	12	72	3	8.5	64	XPMS11	MS132-12
192...288	16.00	2	16	84	5	15.2	92	10	14	81	10	11	65	10	12	72	5	14	81	XPMS12	MS132-16
240...360	20.00	3	19.2	128	5	15.2	92	10	14	81	15	17	93	15	17	92	5	14	81	XPMS13	MS132-20
300...450	25.00	3	19.2	128	7 1/2	22	127	15	21	116	20	22	116	20	17	127	7 1/2	21	116	XPMS14	MS132-25
384...576	32.00	5	30.4	184	10	28	162	20	27	145	25	27	146	25	28	162	0	26	145	XPMS15	MS132-32

**CATALOG • SELECTOR GUIDE**

MANUAL MOTOR STARTER					
1	2	3			
XP	MMS	I			
1	XP = EXPLOSION PROOF				
2	MMS = MANUAL MOTOR STARTER				
3	I - 15 RATED CURRENT(SEE MMS TABLE)				

<b>Thomas &amp; Betts</b> A Member of the ABB Group		
www.tnb.com		
DESCRIPTION: <b>OUTLINE FOR XPMS SERIES EXPLOSION PROOF MANUAL MOTOR STARTER, MAGELLAN</b>		
SHEET NO: <b>3 OF 3</b>	REV. NO: <b>0</b>	DRAWING NO: <b>WSD-001629</b>