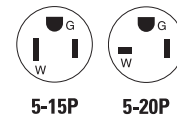


# OBC AF/GF duplex receptacle

Project Name:	Prepared By:
Project Number:	Date:
Catalog Number:	Type:

## Description

2-pole, 3-wire grounding  
 15A, 125V/AC  
 20A, 125V/AC



TRAFGF15W



TRAFGF20LA

## Design features

- Provides both arc fault protection per UL1699A and ground fault protection per UL943 in one convenient device
- Protects from both series and parallel arcs downstream from the Outlet Branch Circuit (OBC) AF/GF receptacle
- OBC AF/GF receptacles also protect from upstream series arcs
- Trip indicators make it easy to diagnose arc and ground faults
- Device self-tests periodically to ensure proper function of both the ground fault and arc fault protection elements
- Meets and exceeds 10ka short circuit testing and Underwriters Laboratories (UL) UL943 safety standards
- Ground termination with backwire clamp provides secure wiring and reduces installation time
- Automatic grounding system eliminates the need for bonding jumper in grounded metal enclosure; provides redundant measure of ground continuity when jumper is used
- Tapered backwire openings handle multiple wire sizes and types for applications up to #10 AWG solid or standard wire
- When downstream receptacles are wired from load side, a 20A feed-through rating offers full protection
- Lock-out functionality prevents miswired line-load connections and GFCI/AFCI circuitry damage
- Visual indicator light provides quick visual reference of a tripped or "end of life" condition
- Tamper resistant (TR) shutters comply with 2014 NEC Article 406.12
- Terminal screws backed out and ready to wire
- Matching standard size thermoplastic wallplate included

**Table 1. Specification grade AF/GF duplex receptacles**

Catalog no.	Description	Rating		NEMA	Color suffix
		A	V/AC		
<input type="checkbox"/> TRAFGF15___	Duplex self test AF/GF with standard-size wallplate, back & side wire	15	125	5-15R	A, B, BK, GY, LA, V, W
<input type="checkbox"/> TRAFGF20___	Duplex self test AF/GF with standard-size wallplate, back & side wire	20	125	5-20R	A, B, BK, GY, LA, V, W



Powering Business Worldwide

Project Name:	Prepared By:
Project Number:	Date:
Catalog Number:	Type:

## Applications

AF/GF receptacles are designed with the safety of the user in mind. Eaton's AF/GF receptacles protect against both unexpected paths to ground and unseen arc faults that can result in electrical fires. The NEC requires GFCI or AFCI protection on certain circuits in residential, commercial, and industrial – in some cases both AFCI and GFCI protection are required on the same circuit. These receptacles are UL Listed and fully compliant with all of the latest UL943 Class A GFCI and UL1699A requirements. Eaton's AF/GF receptacles include tamper resistant shutters to provide compliance with the 2014 NEC Article 406.12 that states that all receptacles installed in dwelling units must be tamper resistant. Additionally, these AF/GF receptacles incorporate lock-out functionality to protect against mis-wired line-load connections and damage the AFCI/GFCI circuitry.

**Table 2. Specifications**

Catalog no.	TRAFGF15, TRAFGF20
<b>Device type</b>	<b>OBC AFCI/GFCI duplex receptacle</b>
<b>Wiring type</b>	Back & side wire
<b>Testing &amp; code compliance</b>	<ul style="list-style-type: none"> <li>• cULus Listed to UL 498 and UL 943, file no. E482200</li> <li>• Meets all UL 943 (GFCI), UL 498 (receptacles), UL1699A and applicable CSA requirements</li> <li>• NOM certified</li> </ul>
<b>Environmental specifications</b>	<b>Flammability:</b> Meets UL 94 requirements; V2 rated <b>Temperature rating:</b> -35°C to 66°C (-31°F to 150.8°F)
<b>Electrical specifications</b>	<b>Dielectric voltage:</b> Withstands 2000V per UL 498 <b>Current interrupting:</b> Yes, at full-rated current <b>Temperature rise:</b> Max. 30°C (86°F) after 100 cycles of overload @ 150% of rated current (DC) <b>Trip time:</b> 0.025 seconds (Class A) <b>Frequency:</b> 60 Hz; Voltage: 125V; Amperage: 15A/20A 20A feed-through <b>Short circuit testing:</b> Meets and exceeds 10 kA <b>Maximum interrupting capacity:</b> 20 Amps
<b>Mechanical specifications</b>	<b>Terminal accommodation:</b> #14 - 10 AWG <b>Voltage ratings:</b> Permanently marked on device

**Table 3. Materials**

Catalog no.	TRAFGF15, TRAFGF20
<b>Top housing</b>	Thermoplastic, polypropylene
<b>Bottom housing</b>	Thermoplastic, PVC
<b>Strap</b>	0.047" thick steel, zinc-plated
<b>Line contacts</b>	0.030" thick brass
<b>Ground contact</b>	Brass
<b>Terminal &amp; ground screws</b>	#8-32 steel, brass-plated; neutral screw nickel-plated, ground screw green
<b>Terminal clamps</b>	0.070" thick steel

**Table 4. Color ordering information**

For ordering devices, include Cat. no. followed by the color code: A (Almond), B (Brown), BK (Black), GY (Gray), LA (Light Almond), V (Ivory), W (White)

<b>A</b>	<b>B</b>	<b>BK</b>	<b>GY</b>	<b>LA</b>	<b>V</b>	<b>W</b>
Almond	Brown	Black	Gray	Lt. Almond	Ivory	White

**Table 5. AF/GF status indicator**

Test indicator Red LED	Test indicator Amber LED	Rest button status	Diagnosis	Action
OFF	OFF	In	"Device is functioning properly OR branch circuit may have no power"	Manually press the TEST button to trip the device. <b>Amber</b> light should come ON <ul style="list-style-type: none"> <li>• If <b>Amber</b> light does not come ON, check if there is power to the branch</li> <li>• If <b>Amber</b> light does come ON, manually press the RESET button to restore power the the device</li> <li>• If AF/GF receptacle does NOT reset, replace AF/GF receptacle</li> <li>• If AF/GF receptacle receptacle does reset, device is functioning properly</li> </ul>
OFF	<b>ON</b>	Out	Device is in tripped state (either from manually pressing TEST button or from GFCI trip)	Manually press the RESET button to restore power to the device <ul style="list-style-type: none"> <li>• If AF/GF receptacle does not reset, replace the AF/GF receptacle</li> </ul>
OFF	<b>2 Blinks</b>	Out	GENERAL SERIES ARC	Manually press the RESET button to restore power to the device <ul style="list-style-type: none"> <li>• If AF/GF receptacle continues to trip, contact an electrician to locate and repair the low current arc fault</li> </ul>
OFF	<b>3 Blinks</b>	Out	PARALLEL ARC	Manually press the RESET button to restore power to the device <ul style="list-style-type: none"> <li>• If AF/GF receptacle continues to trip, contact an electrician to locate and repair the parallel arc fault</li> </ul>
OFF	<b>4 Blinks</b>	Out	OVERVOLTAGE	Manually press the RESET button to restore power to the device <ul style="list-style-type: none"> <li>• If AF/GF receptacle continues to trip, contact an electrician to locate and repair the overcurrent condition</li> </ul>
OFF	<b>5 Blinks</b>	Out	AFCI self-test failure	Manually press the RESET button to restore power to the device <ul style="list-style-type: none"> <li>• If it does not reset and/or the blinking continues, replace the AF/GF receptacle</li> </ul>
<b>Blinking</b>	ON or OFF	In or Out	GFCI self-test failure	Manually press the RESET button to restore power to the device <ul style="list-style-type: none"> <li>• If it does not reset and/or the blinking continues, replace the AF/GF receptacle</li> </ul>

Project Name:	Prepared By:
Project Number:	Date:
Catalog Number:	Type:

**Product dimensions**

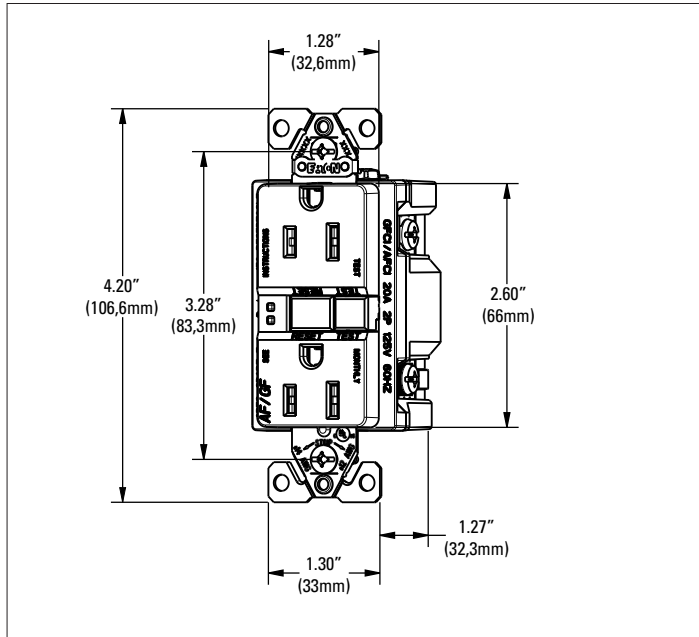


Figure 1. OBC TRAFGF 15A Line art with dimensions

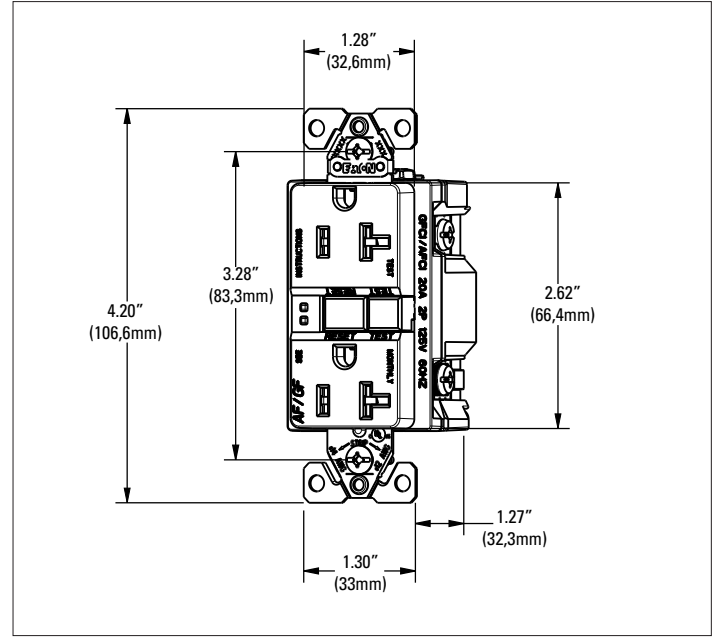






Figure 2. OBC TRAFGF 20A Line art with dimensions

**Certifications & compliances**

Catalog no.		
TRAFGF15	•	•
TRAFGA20	•	•

**KEY:**  cULus  NOM

Electrical Sector  
203 Cooper Circle  
Peachtree City, GA 30269  
United States  
Eaton.com  
Eaton.com/wiringdevices

Electrical Sector  
Canada Operations  
5925 McLaughlin Road  
Mississauga, Ontario, L5R 1B8  
Canada  
EatonCanada.ca  
Eaton.com/wiringdevices

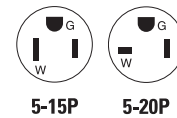
Electrical Sector  
Mexico Operations  
Carr. Tlalnepantla -  
Cuautitlan Km 17.8 s/n  
Col. Villa Jardin esq.  
Cerrada 8 de Mayo  
Cuautitlan, Mexico CP 54800  
Mexico  
Eaton.mx  
Eaton.com/wiringdevices

# OBC AF/GF duplex receptacle

Project Name:	Prepared By:
Project Number:	Date:
Catalog Number:	Type:

## Description

2-pole, 3-wire grounding  
 15A, 125V/AC  
 20A, 125V/AC



TRAFGF15W



TRAFGF20LA

## Design features

- Provides both arc fault protection per UL1699A and ground fault protection per UL943 in one convenient device
- Protects from both series and parallel arcs downstream from the Outlet Branch Circuit (OBC) AF/GF receptacle
- OBC AF/GF receptacles also protect from upstream series arcs
- Trip indicators make it easy to diagnose arc and ground faults
- Device self-tests periodically to ensure proper function of both the ground fault and arc fault protection elements
- Meets and exceeds 10ka short circuit testing and Underwriters Laboratories (UL) UL943 safety standards
- Ground termination with backwire clamp provides secure wiring and reduces installation time
- Automatic grounding system eliminates the need for bonding jumper in grounded metal enclosure; provides redundant measure of ground continuity when jumper is used
- Tapered backwire openings handle multiple wire sizes and types for applications up to #10 AWG solid or standard wire
- When downstream receptacles are wired from load side, a 20A feed-through rating offers full protection
- Lock-out functionality prevents miswired line-load connections and GFCI/AFCI circuitry damage
- Visual indicator light provides quick visual reference of a tripped or "end of life" condition
- Tamper resistant (TR) shutters comply with 2014 NEC Article 406.12
- Terminal screws backed out and ready to wire
- Matching standard size thermoplastic wallplate included

**Table 1. Specification grade AF/GF duplex receptacles**

Catalog no.	Description	Rating		NEMA	Color suffix
		A	V/AC		
<input type="checkbox"/> TRAFGF15___	Duplex self test AF/GF with standard-size wallplate, back & side wire	15	125	5-15R	A, B, BK, GY, LA, V, W
<input type="checkbox"/> TRAFGF20___	Duplex self test AF/GF with standard-size wallplate, back & side wire	20	125	5-20R	A, B, BK, GY, LA, V, W



Powering Business Worldwide

Project Name:	Prepared By:
Project Number:	Date:
Catalog Number:	Type:

## Applications

AF/GF receptacles are designed with the safety of the user in mind. Eaton's AF/GF receptacles protect against both unexpected paths to ground and unseen arc faults that can result in electrical fires. The NEC requires GFCI or AFCI protection on certain circuits in residential, commercial, and industrial – in some cases both AFCI and GFCI protection are required on the same circuit. These receptacles are UL Listed and fully compliant with all of the latest UL943 Class A GFCI and UL1699A requirements. Eaton's AF/GF receptacles include tamper resistant shutters to provide compliance with the 2014 NEC Article 406.12 that states that all receptacles installed in dwelling units must be tamper resistant. Additionally, these AF/GF receptacles incorporate lock-out functionality to protect against mis-wired line-load connections and damage the AFCI/GFCI circuitry.

**Table 2. Specifications**

Catalog no.	TRAFGF15, TRAFGF20
<b>Device type</b>	<b>OBC AFCI/GFCI duplex receptacle</b>
<b>Wiring type</b>	Back & side wire
<b>Testing &amp; code compliance</b>	<ul style="list-style-type: none"> <li>• cULus Listed to UL 498 and UL 943, file no. E482200</li> <li>• Meets all UL 943 (GFCI), UL 498 (receptacles), UL1699A and applicable CSA requirements</li> <li>• NOM certified</li> </ul>
<b>Environmental specifications</b>	<b>Flammability:</b> Meets UL 94 requirements; V2 rated <b>Temperature rating:</b> -35°C to 66°C (-31°F to 150.8°F)
<b>Electrical specifications</b>	<b>Dielectric voltage:</b> Withstands 2000V per UL 498 <b>Current interrupting:</b> Yes, at full-rated current <b>Temperature rise:</b> Max. 30°C (86°F) after 100 cycles of overload @ 150% of rated current (DC) <b>Trip time:</b> 0.025 seconds (Class A) <b>Frequency:</b> 60 Hz; Voltage: 125V; Amperage: 15A/20A 20A feed-through <b>Short circuit testing:</b> Meets and exceeds 10 kA <b>Maximum interrupting capacity:</b> 20 Amps
<b>Mechanical specifications</b>	<b>Terminal accommodation:</b> #14 - 10 AWG <b>Voltage ratings:</b> Permanently marked on device

**Table 3. Materials**

Catalog no.	TRAFGF15, TRAFGF20
<b>Top housing</b>	Thermoplastic, polypropylene
<b>Bottom housing</b>	Thermoplastic, PVC
<b>Strap</b>	0.047" thick steel, zinc-plated
<b>Line contacts</b>	0.030" thick brass
<b>Ground contact</b>	Brass
<b>Terminal &amp; ground screws</b>	#8-32 steel, brass-plated; neutral screw nickel-plated, ground screw green
<b>Terminal clamps</b>	0.070" thick steel

**Table 4. Color ordering information**

For ordering devices, include Cat. no. followed by the color code: A (Almond), B (Brown), BK (Black), GY (Gray), LA (Light Almond), V (Ivory), W (White)

<b>A</b>	<b>B</b>	<b>BK</b>	<b>GY</b>	<b>LA</b>	<b>V</b>	<b>W</b>
Almond	Brown	Black	Gray	Lt. Almond	Ivory	White

**Table 5. AF/GF status indicator**

Test indicator Red LED	Test indicator Amber LED	Rest button status	Diagnosis	Action
OFF	OFF	In	"Device is functioning properly OR branch circuit may have no power"	Manually press the TEST button to trip the device. <b>Amber</b> light should come ON <ul style="list-style-type: none"> <li>• If <b>Amber</b> light does not come ON, check if there is power to the branch</li> <li>• If <b>Amber</b> light does come ON, manually press the RESET button to restore power the the device</li> <li>• If AF/GF receptacle does NOT reset, replace AF/GF receptacle</li> <li>• If AF/GF receptacle does reset, device is functioning properly</li> </ul>
OFF	<b>ON</b>	Out	Device is in tripped state (either from manually pressing TEST button or from GFCI trip)	Manually press the RESET button to restore power to the device <ul style="list-style-type: none"> <li>• If AF/GF receptacle does not reset, replace the AF/GF receptacle</li> </ul>
OFF	<b>2 Blinks</b>	Out	GENERAL SERIES ARC	Manually press the RESET button to restore power to the device <ul style="list-style-type: none"> <li>• If AF/GF receptacle continues to trip, contact an electrician to locate and repair the low current arc fault</li> </ul>
OFF	<b>3 Blinks</b>	Out	PARALLEL ARC	Manually press the RESET button to restore power to the device <ul style="list-style-type: none"> <li>• If AF/GF receptacle continues to trip, contact an electrician to locate and repair the parallel arc fault</li> </ul>
OFF	<b>4 Blinks</b>	Out	OVERVOLTAGE	Manually press the RESET button to restore power to the device <ul style="list-style-type: none"> <li>• If AF/GF receptacle continues to trip, contact an electrician to locate and repair the overcurrent condition</li> </ul>
OFF	<b>5 Blinks</b>	Out	AFCI self-test failure	Manually press the RESET button to restore power to the device <ul style="list-style-type: none"> <li>• If it does not reset and/or the blinking continues, replace the AF/GF receptacle</li> </ul>
<b>Blinking</b>	ON or OFF	In or Out	GFCI self-test failure	Manually press the RESET button to restore power to the device <ul style="list-style-type: none"> <li>• If it does not reset and/or the blinking continues, replace the AF/GF receptacle</li> </ul>

Project Name:	Prepared By:
Project Number:	Date:
Catalog Number:	Type:

**Product dimensions**

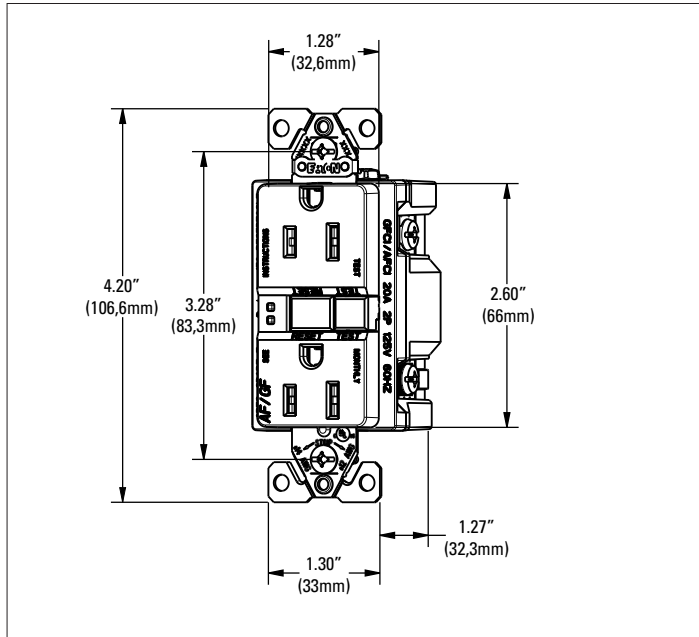


Figure 1. OBC TRAFGF 15A Line art with dimensions

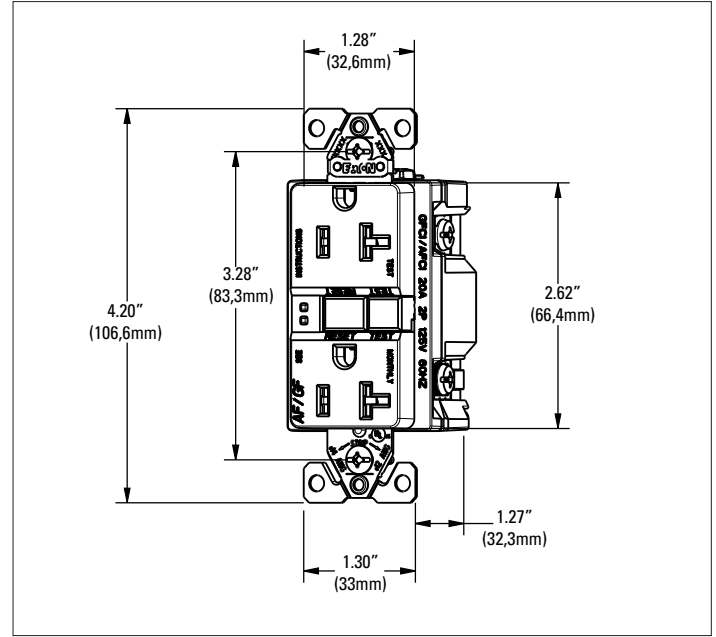





Figure 2. OBC TRAFGF 20A Line art with dimensions

**Certifications & compliances**

Catalog no.		
TRAFGF15	•	•
TRAFGA20	•	•

**KEY:**  cULus  NOM

Electrical Sector  
203 Cooper Circle  
Peachtree City, GA 30269  
United States  
Eaton.com  
Eaton.com/wiringdevices

Electrical Sector  
Canada Operations  
5925 McLaughlin Road  
Mississauga, Ontario, L5R 1B8  
Canada  
EatonCanada.ca  
Eaton.com/wiringdevices

Electrical Sector  
Mexico Operations  
Carr. Tlalnepantla -  
Cuautitlan Km 17.8 s/n  
Col. Villa Jardin esq.  
Cerrada 8 de Mayo  
Cuautitlan, Mexico CP 54800  
Mexico  
Eaton.mx  
Eaton.com/wiringdevices