

Arrow Hart commercial grade combination GFCI with switch

Project Name:	Prepared By:
Project Number:	Date:
Catalog Number:	Type:

Description

2-pole, 3-wire grounding
 15A, 125V/AC (Receptacle)
 15A, 120V/AC (Switch)



5-15R



TRSGFS15

Design features

- Single-pole switch with TR GFCI protected receptacle
- UL listed, fully compliant with all latest UL 943, UL 498, and UL 20 safety standards
- Lock-out functionality protects from mis-wired line-load connections and GFCI circuitry damage
- Ground termination with backwire clamp provides secure wiring and reduces installation time
- Tapered backwire openings handle multiple wire sizes and types for applications up to #10 AWG solid or stranded wire
- When downstream receptacles are wired from load side, a 20A feed-through rating offers full protection
- Tamper resistant shutters provide compliance with 2017 NEC Article 406.12
- Double and triple wipe blade contacts and double wipe ground contacts to insure long-term blade retention
- Visual indicator light provides quick visual reference of a tripped or “end of life” condition

Table 1. Commercial grade combination GFCI with nightlight

Catalog no.	Description	Rating			Color suffix
		A	V/AC	NEMA	
□ TRSGFS15__	Tamper resistant GFCI with single pole switch	15	125	5-15R	LA, V, W

Includes mid-size unbreakable wallplate unless otherwise noted

Compliances, specifications and availability are subject to change without notice.



Powering Business Worldwide

Project Name:	Prepared By:
Project Number:	Date:
Catalog Number:	Type:

Applications

The Arrow Hart line of GFCIs provides the safest design possible by denying power if the device is mis-wired or if it is no longer providing GFCI protection. The combination GFCI with switch adds an additional feature by providing lighting control. The tamper resistant shutters prevent foreign objects from being inserted and provide code compliance for both residential and commercial applications.

Table 2. Specifications

Catalog no.	TRSGFS15
Device type	Combination GFCI with switch
Wiring type	Back & side wire
Testing & code compliance	<ul style="list-style-type: none"> • cULus Listed to UL 498 and UL 943, UL 20 file no. E60120 • Meets all UL 943 (GFCI), UL 498 (receptacles) and applicable CSA requirements • NOM certified
Environmental specifications	Flammability: Meets UL 94 requirements; V2 rated Temperature rating: -35°C to 66°C (-31°F to 150.8°F)
Electrical specifications	Dielectric voltage: Withstands 2000V per UL 498 Current interrupting: Yes, at full-rated current Temperature rise: Max. 30°C (86°F) after 100 cycles of overload @ 150% of rated current (DC) Trip time: 0.025 seconds (Class A) Frequency: 60 Hz; Voltage: 125V; Amperage: 15A/20A 20A feed-through Short circuit testing: Meets and exceeds 10 kA Maximum interrupting capacity: 20 Amps
Mechanical specifications	Terminal accommodation: #14 - 10 AWG Voltage ratings: Permanently marked on device

Table 3. Materials

Catalog no.	TRSGFS15
Top housing	Thermoplastic, polypropylene
Lens	Thermoplastic, PC
Bottom housing	Thermoplastic, PVC
Strap	0.047" thick steel, nickel-plated
Line contacts	0.030" thick brass
Ground contact	0.014" thick brass
Terminal screw	#8-32 steel, brass-plated; neutral screw nickel-plated
Ground screw	#8-32 steel, zinc-plated; green

Table 4. GFCI status indicator

Test indicator RED LED	Test indicator AMBER LED	Diagnosis	Color suffix
OFF	OFF	Device is functioning properly OR branch circuit may have no power	Manually depress TEST button to trip device. Amber light should come ON <ul style="list-style-type: none"> • If Amber light does <u>not</u> come ON, check if there is power to the branch • If Amber light does come ON, manually depress the RESET button to restore power to the device • If GFCI does not reset, replace GFCI • If GFCI does reset, device is functioning properly
OFF	ON	Device is in tripped state	Manually depress the RESET button to restore power to the device <ul style="list-style-type: none"> • If GFCI does not reset, replace GFCI
Blinking	OFF	Device's "end of life" indication OR device is in reset state	Manually depress TEST button to trip device. Amber light should come ON <ul style="list-style-type: none"> • If Amber light does <u>not</u> come ON, check if there is power to the branch • If Amber light does come ON, manually depress the RESET button to restore power to the device • If it does not reset, and/or the blinking continues, replace GFCI
Blinking	ON	Device's "end of life" indication OR device is in tripped state	Manually depress the RESET button to restore power to the device <ul style="list-style-type: none"> • If it does not reset, and/or the blinking continues, replace GFCI

Project Name:	Prepared By:
Project Number:	Date:
Catalog Number:	Type:

Table 5. Color ordering information

LA	V	W
----	---	---

Lt. Almond Ivory White

For ordering devices, include Cat. no. followed by the color code: LA (Light Almond), V (Ivory), W (White)

Product dimensions

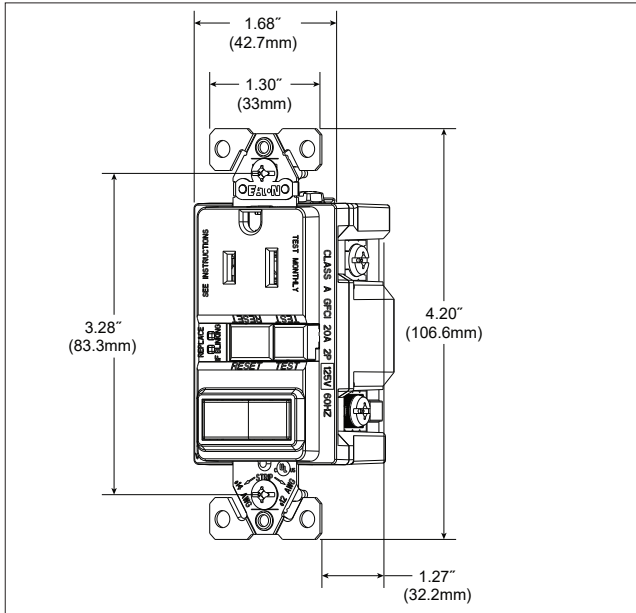


Figure 1. TRSGFS15 dimensions

Certifications & compliances

Catalog no.
TRSGFS15

KEY: cULus NOM Arrowlink Build-To-Spec

Build-To-Spec Customizable Devices

Electrical Sector
203 Cooper Circle
Peachtree City, GA 30269
United States
Eaton.com
Eaton.com/wiringdevices

Electrical Sector
Canada Operations
5925 McLaughlin Road
Mississauga, Ontario, L5R 1B8
Canada
EatonCanada.ca
Eaton.com/wiringdevices

Electrical Sector
Mexico Operations
Carr. Tlalnepantla -
Cuautitlán Km 17.8 s/n
Col. Villa Jardin esq.
Cerrada 8 de Mayo
Cuautitlán, México CP 54800
México
Eaton.mx
Eaton.com/wiringdevices

Arrow Hart commercial grade combination GFCI with switch

Project Name:	Prepared By:
Project Number:	Date:
Catalog Number:	Type:

Description

2-pole, 3-wire grounding
 15A, 125V/AC (Receptacle)
 15A, 120V/AC (Switch)



5-15R



TRSGFS15

Design features

- Single-pole switch with TR GFCI protected receptacle
- UL listed, fully compliant with all latest UL 943, UL 498, and UL 20 safety standards
- Lock-out functionality protects from mis-wired line-load connections and GFCI circuitry damage
- Ground termination with backwire clamp provides secure wiring and reduces installation time
- Tapered backwire openings handle multiple wire sizes and types for applications up to #10 AWG solid or stranded wire
- When downstream receptacles are wired from load side, a 20A feed-through rating offers full protection
- Tamper resistant shutters provide compliance with 2017 NEC Article 406.12
- Double and triple wipe blade contacts and double wipe ground contacts to insure long-term blade retention
- Visual indicator light provides quick visual reference of a tripped or "end of life" condition

Table 1. Commercial grade combination GFCI with nightlight

Catalog no.	Description	Rating			Color suffix
		A	V/AC	NEMA	
□ TRSGFS15__	Tamper resistant GFCI with single pole switch	15	125	5-15R	LA, V, W

Includes mid-size unbreakable wallplate unless otherwise noted

Compliances, specifications and availability are subject to change without notice.



Powering Business Worldwide

Project Name:	Prepared By:
Project Number:	Date:
Catalog Number:	Type:

Applications

The Arrow Hart line of GFCIs provides the safest design possible by denying power if the device is mis-wired or if it is no longer providing GFCI protection. The combination GFCI with switch adds an additional feature by providing lighting control. The tamper resistant shutters prevent foreign objects from being inserted and provide code compliance for both residential and commercial applications.

Table 2. Specifications

Catalog no.	TRSGFS15
Device type	Combination GFCI with switch
Wiring type	Back & side wire
Testing & code compliance	<ul style="list-style-type: none"> • cULus Listed to UL 498 and UL 943, UL 20 file no. E60120 • Meets all UL 943 (GFCI), UL 498 (receptacles) and applicable CSA requirements • NOM certified
Environmental specifications	Flammability: Meets UL 94 requirements; V2 rated Temperature rating: -35°C to 66°C (-31°F to 150.8°F)
Electrical specifications	Dielectric voltage: Withstands 2000V per UL 498 Current interrupting: Yes, at full-rated current Temperature rise: Max. 30°C (86°F) after 100 cycles of overload @ 150% of rated current (DC) Trip time: 0.025 seconds (Class A) Frequency: 60 Hz; Voltage: 125V; Amperage: 15A/20A 20A feed-through Short circuit testing: Meets and exceeds 10 kA Maximum interrupting capacity: 20 Amps
Mechanical specifications	Terminal accommodation: #14 - 10 AWG Voltage ratings: Permanently marked on device

Table 3. Materials

Catalog no.	TRSGFS15
Top housing	Thermoplastic, polypropylene
Lens	Thermoplastic, PC
Bottom housing	Thermoplastic, PVC
Strap	0.047" thick steel, nickel-plated
Line contacts	0.030" thick brass
Ground contact	0.014" thick brass
Terminal screw	#8-32 steel, brass-plated; neutral screw nickel-plated
Ground screw	#8-32 steel, zinc-plated; green

Table 4. GFCI status indicator

Test indicator RED LED	Test indicator AMBER LED	Diagnosis	Color suffix
OFF	OFF	Device is functioning properly OR branch circuit may have no power	Manually depress TEST button to trip device. Amber light should come ON <ul style="list-style-type: none"> • If Amber light does <u>not</u> come ON, check if there is power to the branch • If Amber light does come ON, manually depress the RESET button to restore power to the device • If GFCI does not reset, replace GFCI • If GFCI does reset, device is functioning properly
OFF	ON	Device is in tripped state	Manually depress the RESET button to restore power to the device <ul style="list-style-type: none"> • If GFCI does not reset, replace GFCI
Blinking	OFF	Device's "end of life" indication OR device is in reset state	Manually depress TEST button to trip device. Amber light should come ON <ul style="list-style-type: none"> • If Amber light does <u>not</u> come ON, check if there is power to the branch • If Amber light does come ON, manually depress the RESET button to restore power to the device • If it does not reset, and/or the blinking continues, replace GFCI
Blinking	ON	Device's "end of life" indication OR device is in tripped state	Manually depress the RESET button to restore power to the device <ul style="list-style-type: none"> • If it does not reset, and/or the blinking continues, replace GFCI

Project Name:	Prepared By:
Project Number:	Date:
Catalog Number:	Type:

Table 5. Color ordering information

LA	V	W
----	---	---

Lt. Almond Ivory White

For ordering devices, include Cat. no. followed by the color code: LA (Light Almond), V (Ivory), W (White)

Product dimensions

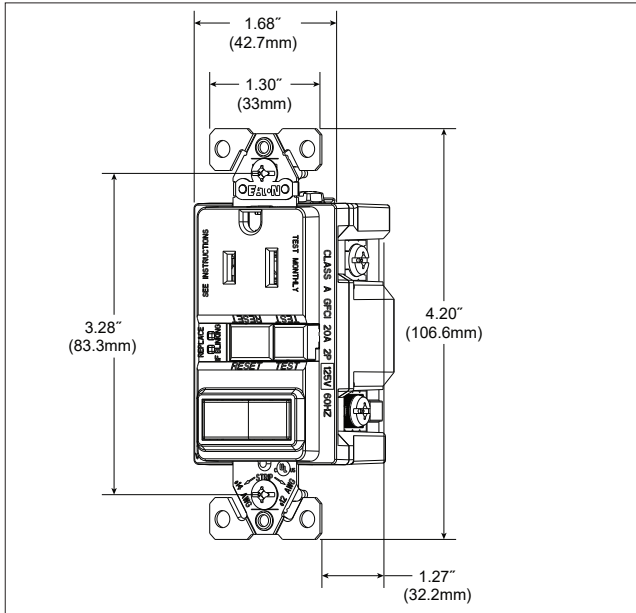


Figure 1. TRSGFS15 dimensions

Certifications & compliances

Catalog no.
TRSGFS15

KEY: cULus NOM Arrowlink Build-To-Spec

Build-To-Spec Customizable Devices

Electrical Sector
203 Cooper Circle
Peachtree City, GA 30269
United States
Eaton.com
Eaton.com/wiringdevices

Electrical Sector
Canada Operations
5925 McLaughlin Road
Mississauga, Ontario, L5R 1B8
Canada
EatonCanada.ca
Eaton.com/wiringdevices

Electrical Sector
Mexico Operations
Carr. Tlalnepantla -
Cuautitlán Km 17.8 s/n
Col. Villa Jardin esq.
Cerrada 8 de Mayo
Cuautitlán, México CP 54800
México
Eaton.mx
Eaton.com/wiringdevices