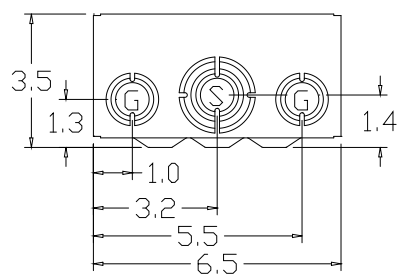
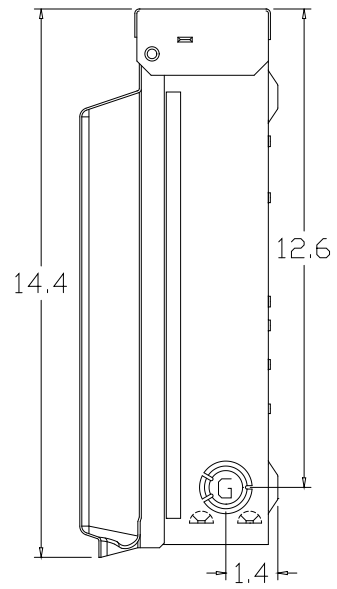
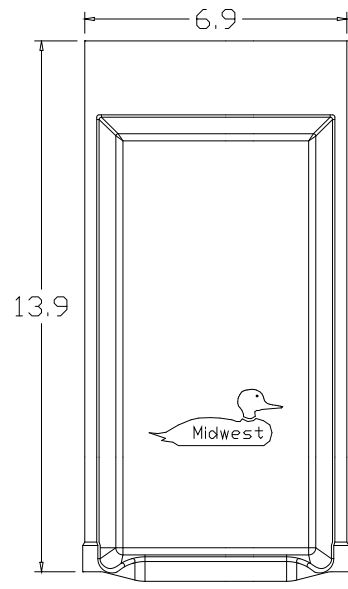
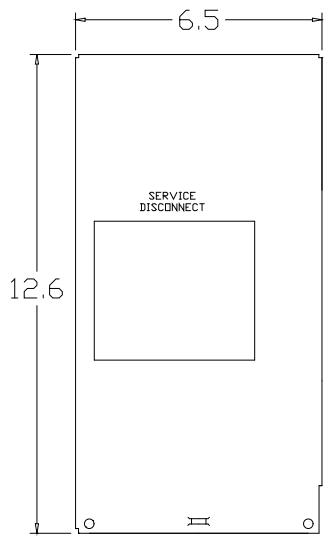
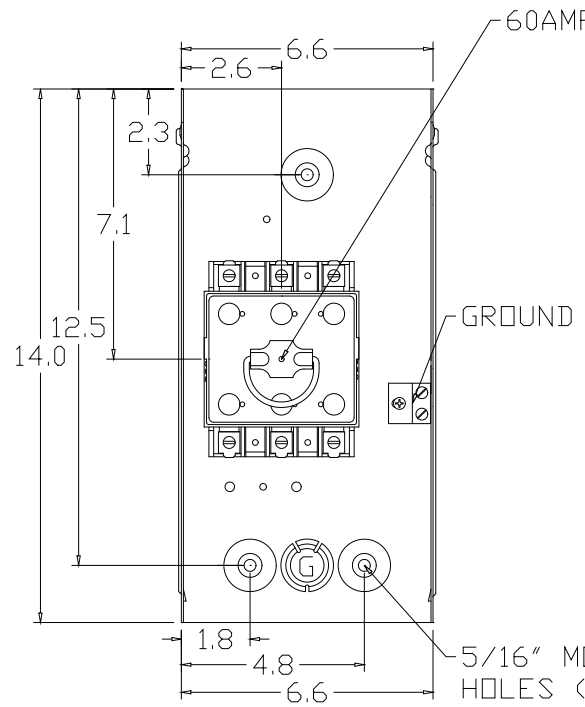
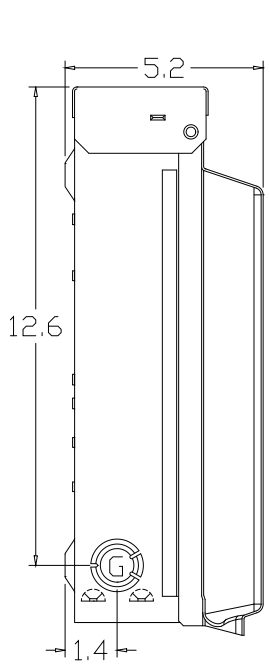


WIRE RANGE TABLE D:


CONNECTOR	COPPER		ALUMINUM	
	SOLID	STRAND	SOLID	STRAND
LINE	14-8	14-2	12-8	12-2
LOAD	14-8	14-2	12-8	12-2
NEUTRAL	-----	-----	-----	-----
EQUIP. GRND.	12-8	12-2	12-8	12-2



KNOCKOUT TABLE:

G = 1/2", 3/4", 1" KO
S = 1/2", 3/4", 1", 1-1/4", 1-1/2" KO

SH4

MIDWEST ELECTRIC PRODUCTS, INC. Mankato, MN 	* = Critical To Quality		TITLE: U0653P	
	Unless Otherwise Specified		AutoCad Generated	
Dr. By: JDE	Tolerances On:	SCALE	SIZE	DWG NO: 265A6213
Ck. By:	3 Pl. Decimals ± .010	1 : 1	A	
CR: R0746662	2 Pl. Decimals ± .030	SHEET 1 OF 1		
	Fractions ± 1/32			
	Angles ± 1/2°			
	Holes ± .003			
	Dimensions Are In Inches			

Rev.1 CR R0746662 JDE 1-10-08