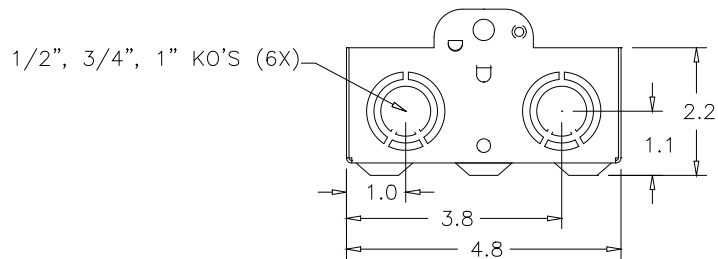
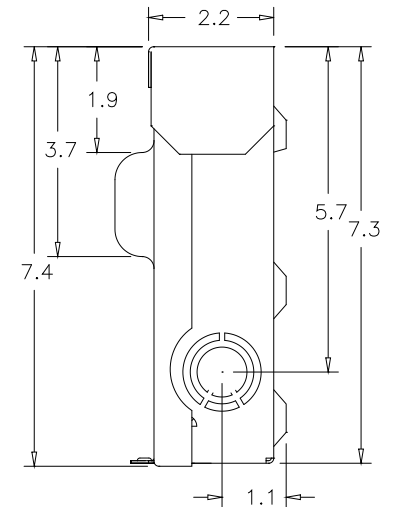
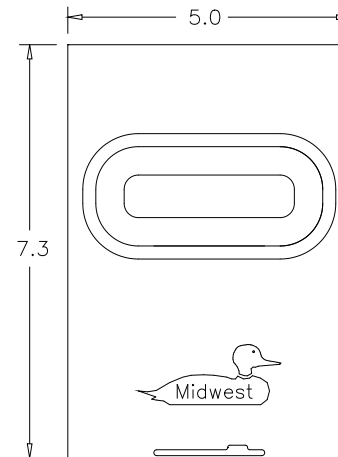
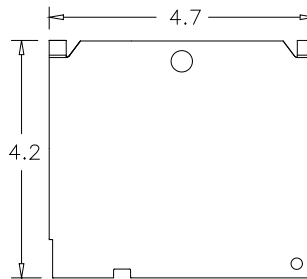
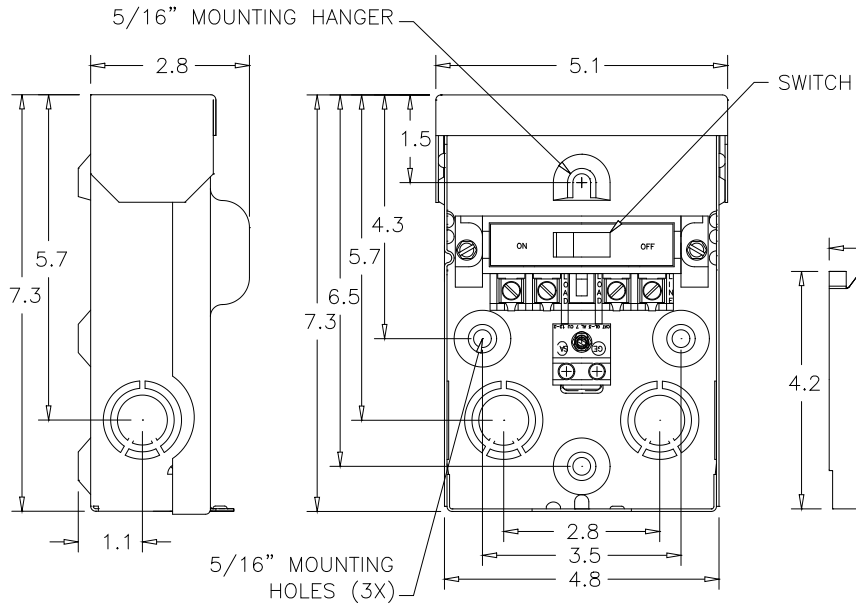


WIRE RANGE TABLE:

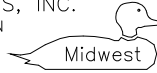
CONNECTOR	COPPER		ALUMINUM	
	SOLID	STRAND	SOLID	STRAND
LINE	14-8	14-8	12-8	12-2
LOAD	14-8	14-8	12-8	12-2
EQUIP. GRND.	12-8	12-2	12-8	12-2



SH2

Rev.1 CR R0746662 JDE 1-11-08

MIDWEST ELECTRIC PRODUCTS, INC.  
Mankato, MN



Dr. By: JDE  
Ck. By:  
CR: R0746662

\* = Critical To Quality  
Unless Otherwise Specified

AutoCad Generated

Tolerances On:  
3 Pl. Decimals ± .010  
2 Pl. Decimals ± .030  
Fractions ± 1/32  
Angles ± 1/2°  
Holes ± .003

SCALE 1 : 1  
SIZE A

Dimensions Are In Inches

SHEET 1 OF 1

TITLE: U065NA1  
OUTLINE DRAWING

DWG NO: 265A6313

