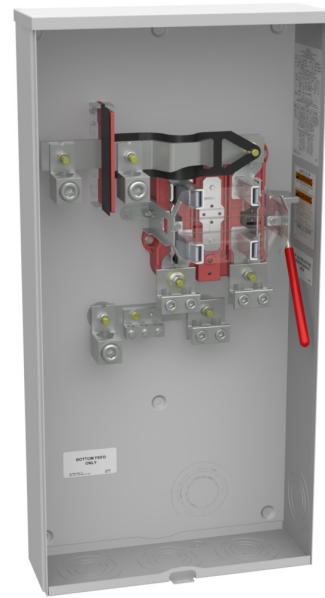




**MILBANK**<sup>®</sup>  
ENERGY AT WORK

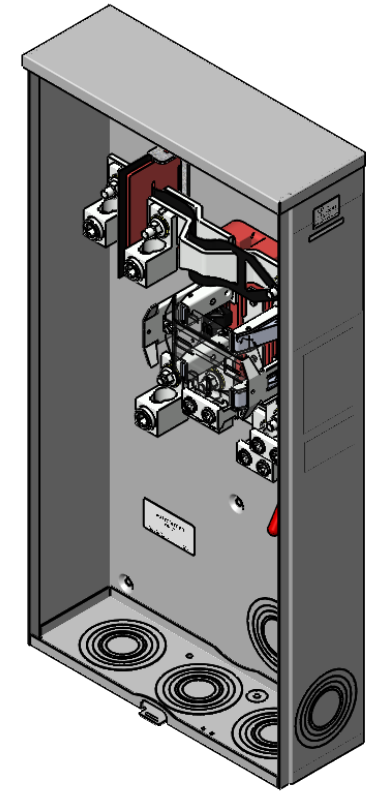
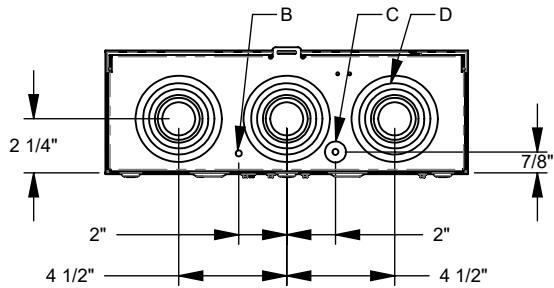
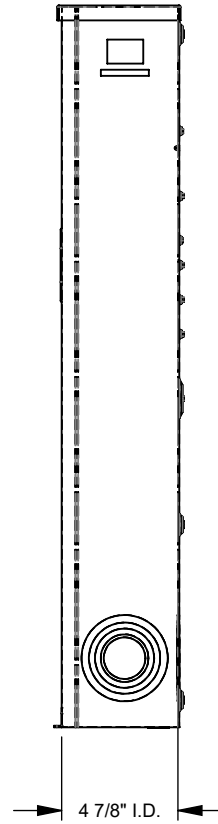
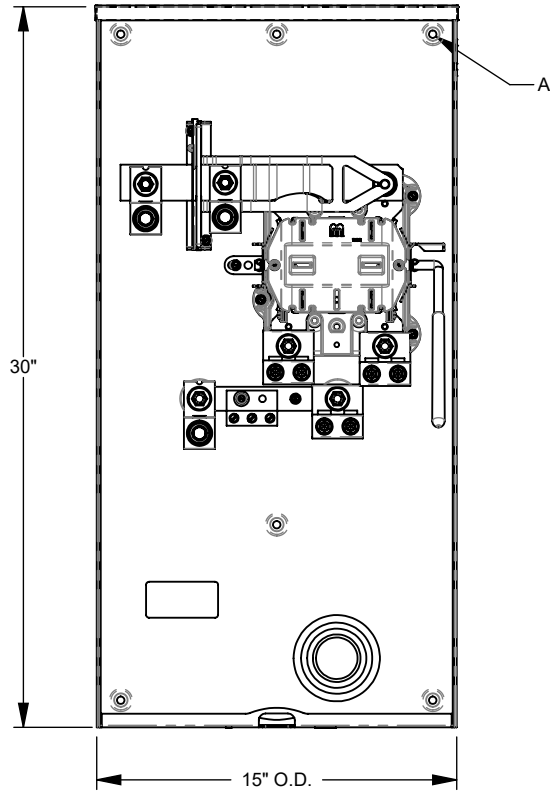
## U1797-O-K3L-K2L



Catalog Number	U1797-O-K3L-K2L	Mounting	Surface Mount
Marketing Product Description	4 Terminal Ringless Plain Top Lever Bypass Single Connector Locking 4-600kcmil Double Connector Locking 6-350kcmil	Enclosure	G90 Galvanized Steel with Powder Coat Finish
UPC	784572301726	Jaw Quantity	4 Terminal
Length (IN)	4.844	Bypass Type	Lever Bypass
Width (IN)	15	Number of Meter Positions	1 Position
Height (IN)	30	Equipment Ground	3 Barrel Ground Lug
Brand Name	Milbank	Hub Opening	Plain Top
Type	Ringless Meter Socket	Line Side Wire Range	4 AWG - 600 kcmil or Two 1/0 AWG - 250 kcmil
Application	Meter Socket	Load Side Wire Range	Two 6 AWG - 350 kcmil
Standard	UL Listed;Type 3R	Number Of Receptacles	0
Voltage Rating	600 Volts Alternating Current		
Amperage Rating	320 Continuous Ampere		
Phase	1 Phase		
Frequency Rating	60 Hertz		
Size	4.844L x 15W x 30H		
Number Of Cutouts	0		
Cutout Size	No Main Breaker		
Cable Entry	Underground		
Terminal	Single Mechanical		
Insulation	Glass Polyester		

Please consult serving utility for their requirements prior to ordering or installing, as specifications and approvals vary by utility and may require local electrical inspector approval. All installations must be installed by a licensed electrician and must comply with all national and local codes, laws and regulations. Milbank reserves the right to make changes in specifications and features shown without notice or obligation.

FEATURE TABLE		
ITEM	QTY	DESCRIPTION
A	6	STD. MNTG. EMBOSS
B	1	¼ SOLID K.O.
C	1	¼, ½ CONC. K.O.
D	5	1, 1¼, 1½, 2, 2½, 3 CONC. K.O.



Version:

1

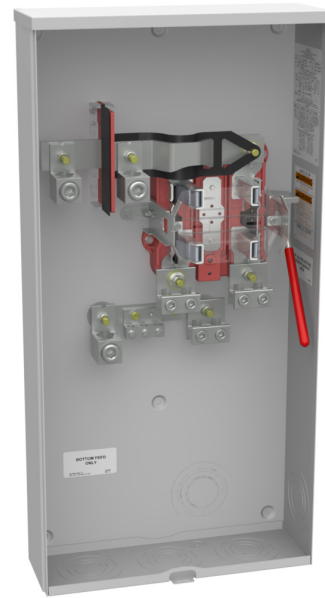
**All dimensions are +/- 1/16".  
Drawing views are not to scale.**

Please consult serving utility for their requirements prior to ordering or installing, as specifications and approvals vary by utility, and may require local electrical inspector approval. All installations must be installed by a licensed electrician and must comply with all national and local codes, laws and regulations. Milbank reserves the right to make changes in specifications and features shown without notice or obligation.



**MILBANK**<sup>®</sup>  
ENERGY AT WORK

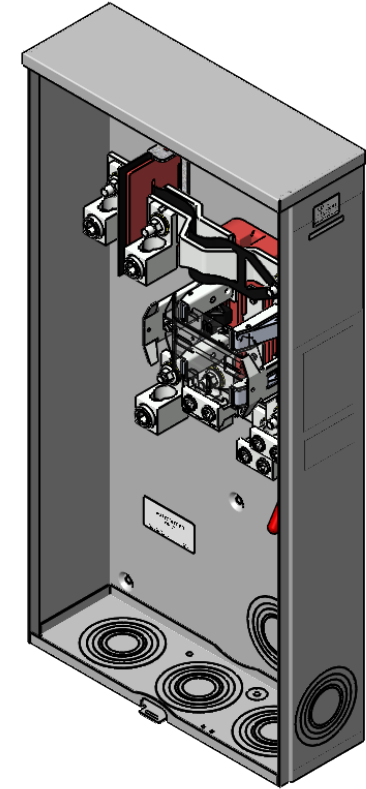
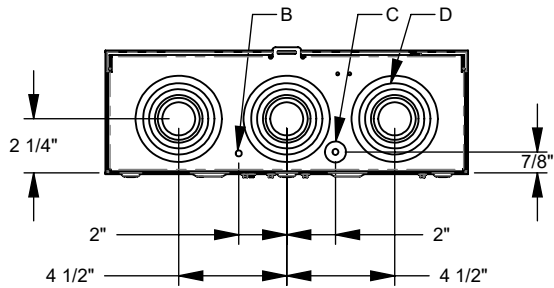
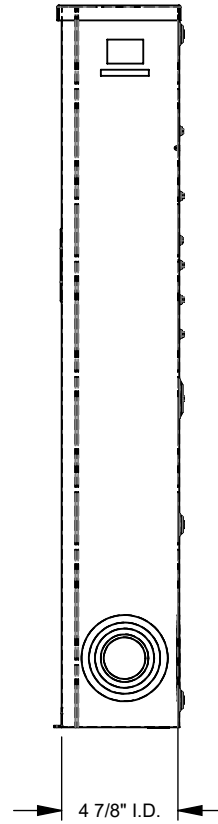
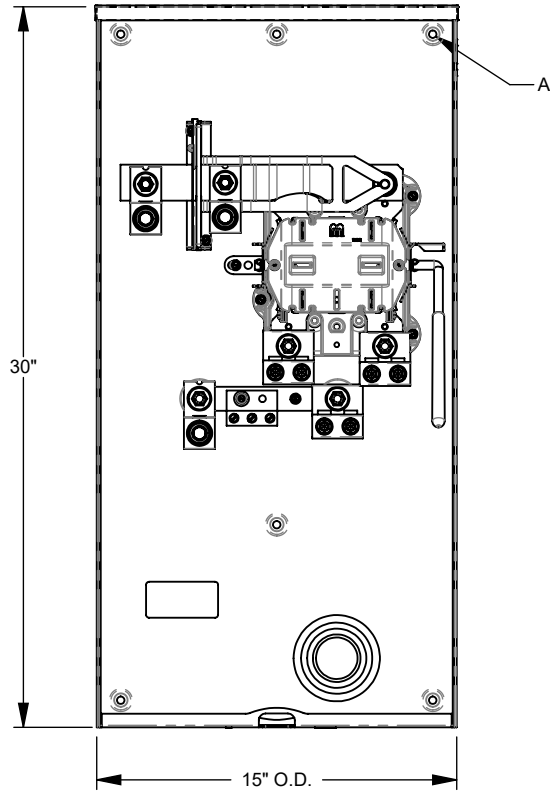
## U1797-O-K3L-K2L



Catalog Number	U1797-O-K3L-K2L	Mounting	Surface Mount
Marketing Product Description	4 Terminal Ringless Plain Top Lever Bypass Single Connector Locking 4-600kcmil Double Connector Locking 6-350kcmil	Enclosure	G90 Galvanized Steel with Powder Coat Finish
UPC	784572301726	Jaw Quantity	4 Terminal
Length (IN)	4.844	Bypass Type	Lever Bypass
Width (IN)	15	Number of Meter Positions	1 Position
Height (IN)	30	Equipment Ground	3 Barrel Ground Lug
Brand Name	Milbank	Hub Opening	Plain Top
Type	Ringless Meter Socket	Line Side Wire Range	4 AWG - 600 kcmil or Two 1/0 AWG - 250 kcmil
Application	Meter Socket	Load Side Wire Range	Two 6 AWG - 350 kcmil
Standard	UL Listed;Type 3R	Number Of Receptacles	0
Voltage Rating	600 Volts Alternating Current		
Amperage Rating	320 Continuous Ampere		
Phase	1 Phase		
Frequency Rating	60 Hertz		
Size	4.844L x 15W x 30H		
Number Of Cutouts	0		
Cutout Size	No Main Breaker		
Cable Entry	Underground		
Terminal	Single Mechanical		
Insulation	Glass Polyester		

Please consult serving utility for their requirements prior to ordering or installing, as specifications and approvals vary by utility and may require local electrical inspector approval. All installations must be installed by a licensed electrician and must comply with all national and local codes, laws and regulations. Milbank reserves the right to make changes in specifications and features shown without notice or obligation.

FEATURE TABLE		
ITEM	QTY	DESCRIPTION
A	6	STD. MNTG. EMBOSS
B	1	¼ SOLID K.O.
C	1	¼, ½ CONC. K.O.
D	5	1, 1¼, 1½, 2, 2½, 3 CONC. K.O.



Version:

1

**All dimensions are +/- 1/16".  
Drawing views are not to scale.**

Please consult serving utility for their requirements prior to ordering or installing, as specifications and approvals vary by utility, and may require local electrical inspector approval. All installations must be installed by a licensed electrician and must comply with all national and local codes, laws and regulations. Milbank reserves the right to make changes in specifications and features shown without notice or obligation.