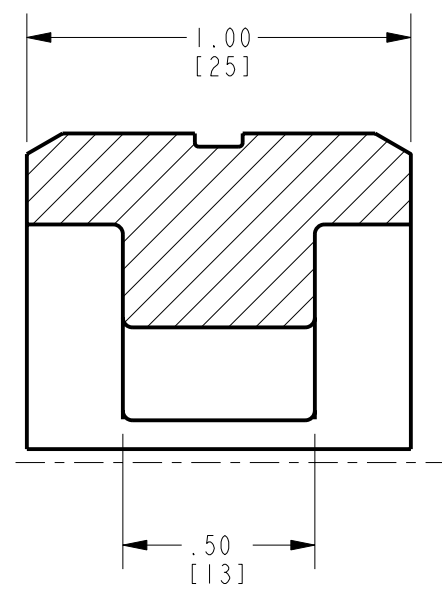
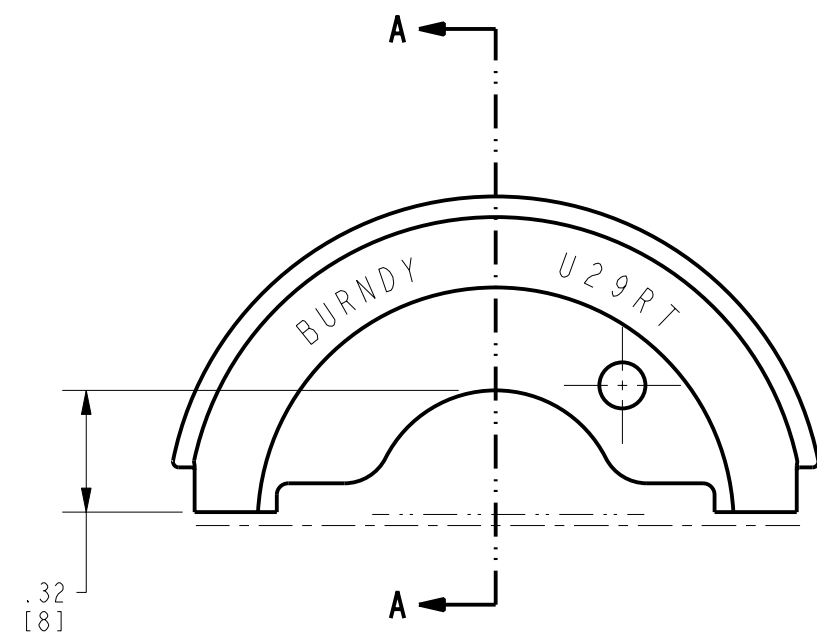
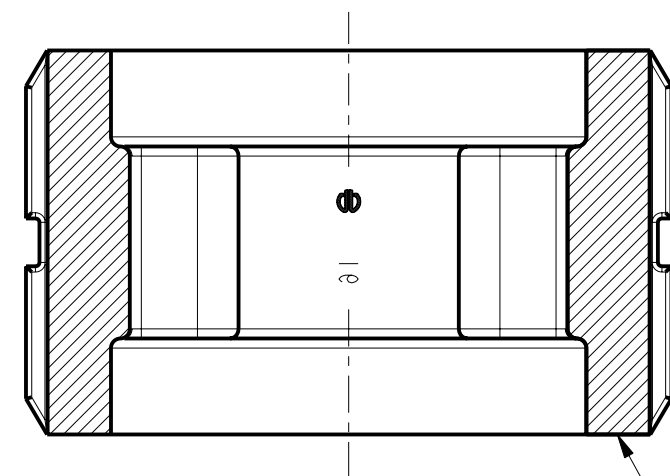
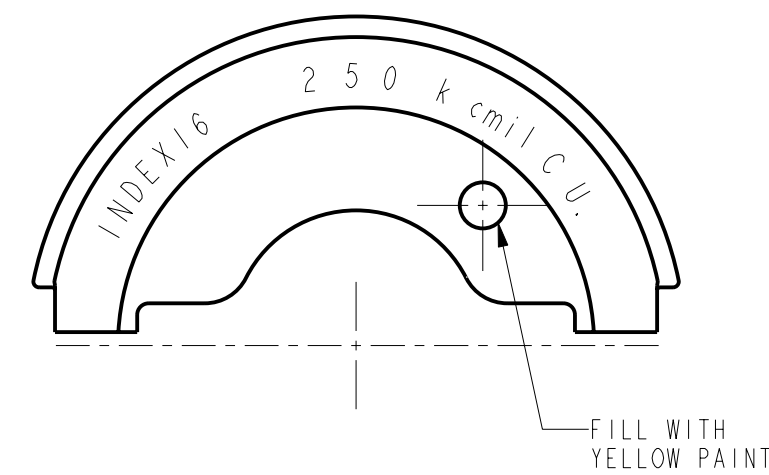


REV.	DATE	DESCRIPTION	ECO	BY	C'H'K.
A	6/16/2009 12:30:00 PM	NEW SALES DRAWING RELEASE	18372	1A	BSK



SECTION A-A



BUTTING SURFACES TO MATING DIES

- NOTES:
- DIMENSIONS IN BRACKETS [] ARE IN MILLIMETERS ROUNDED OFF TO THE NEAREST MILLIMETER, UNLESS OTHERWISE SPECIFIED, AND ARE FOR REFERENCE ONLY.
 - DIE INSPECTION GAUGE CATALOG NUMBER (CUSTOMER & ENGINEERING USE ONLY): UPG16.
 - MATERIAL: STAINLESS STEEL.

TO ORDER BURNDY® PRODUCTS CALL
 UNITED STATES:
 1-800-346-4175 (LONDONDERRY, NH)
 CANADA:
 1-800-361-6975 (QUEBEC)
 1-800-387-6487 (ALL OTHER PROVINCES)
 FOR PRODUCT INFO: <http://www.burndy.com>

CIRCULAR BUTTING TWIN DIE		SCALE: 2:1
ITEM NO: 421625		DRAWING NO
CAT. NO: U29RT		
DRAWN BY: I. ANBALAGAN	06/16/09	REV
CHECKER: --	--	
DSN APPVL: --	--	DRAWING NO
MFG APPVL: --	--	
QA APPVL: --	--	REV
MKT APPVL: --	--	
PROD FAM: TOOLS-HYDRAULIC/U-DIES	SIZE	10102820
PROJECT #: --	B	A
DOCUMENT TYPE: Sales		SHEET 1 OF 1
REL LEVEL: Released		

REV: PE0200