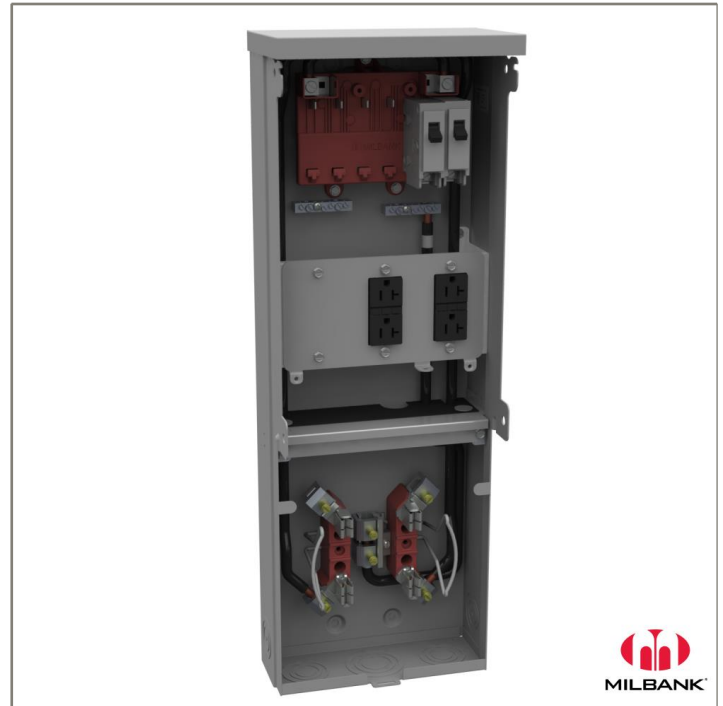




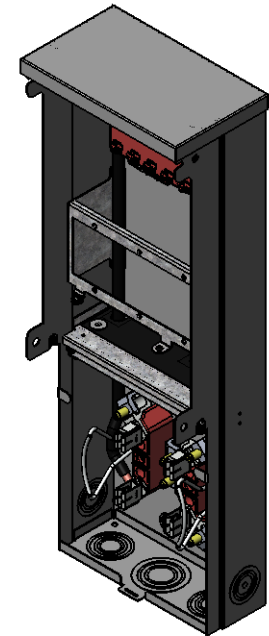
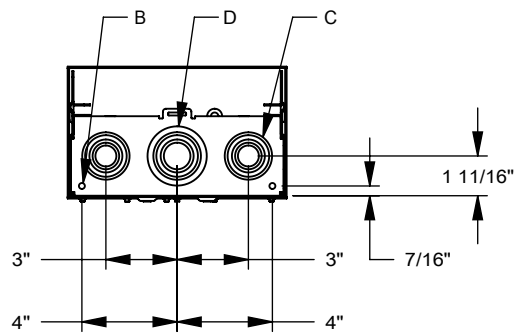
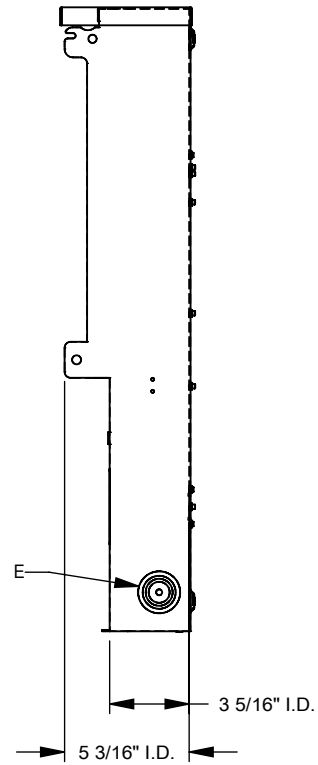
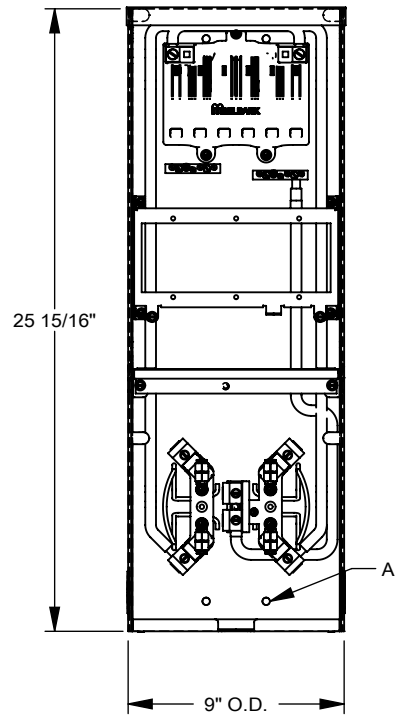
Catalog Number: U4908-O-11GR
Item Description: 100A RL MTR P/O
UPC Code: 784572271951

Brand Name: Milbank
Type: Ringless Metered Power Supply Unit
Special Features: 4 Terminal, Plain Top, Ground Bar, No Bypass, Single Power Head, 6 Branch Circuits
Application: Temporary Power
Standard: UL Listed
Voltage Rating: Up to 240 Volts Alternating Current
Amperage Rating: 125 Ampere Continuous
Wattage: Not Applicable
Frequency Rating: 60 Hertz
Phase: 1 Phase
Number of Receptacles: 2
Receptacle Configuration: Two NEMA 5-20 Ground Fault Receptacles
Control: Two Single Pole 20 Ampere Breakers, No Main Breaker
Material: G90 Galvanized Steel with Powder Coat Finish
Mounting: Surface Mount
Cable Size: 6 AWG to 2/0 AWG
Enclosure: Type 3R



Utility requirements may vary. Always consult the serving utility for their requirements prior to ordering or installing this equipment. This product must always be installed by a licensed electrician. Installation of this equipment may require local electrical inspector approval.

FEATURE TABLE		
ITEM	QTY	DESCRIPTION
A	4	U/L MNTG.EMBOSS
B	2	¼ SOLID K.O.
C	2	½, ¾, 1, 1¼, 1½ CONC. K.O.
D	1	¾, 1, 1¼, 1½, 2 CONC. K.O.
E	2	¼, ½, ¾, 1, 1¼, CONC. K.O.



Version:

1

All dimensions are +/- 1/16".
 Drawing views are not to scale.
 Utility requirements for this equipment may vary. Always consult the serving utility for their requirements prior to ordering or installing this equipment. This product must be installed by a licensed electrician. Installation of this equipment may require local electrical inspector approval.



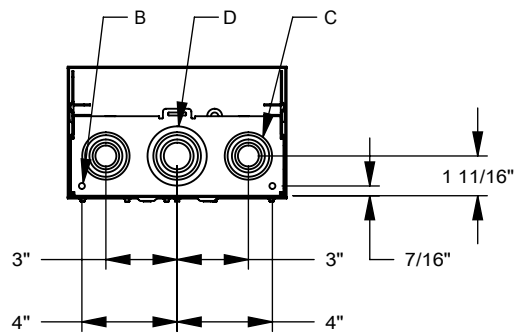
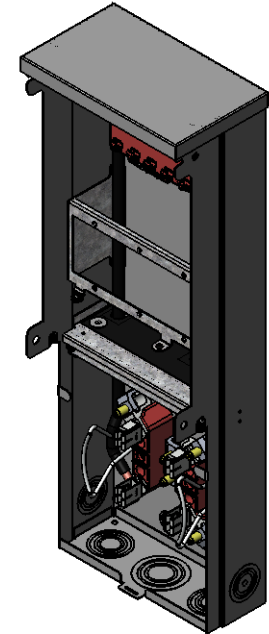
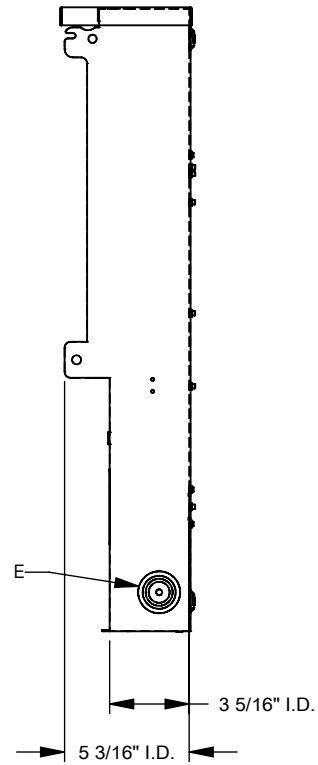
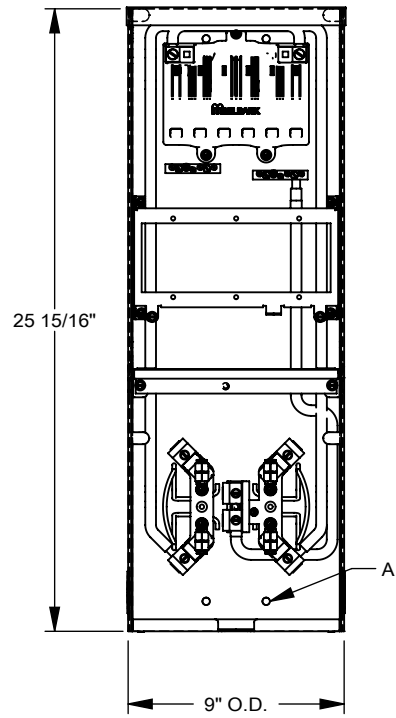
Catalog Number: U4908-O-11GR
Item Description: 100A RL MTR P/O
UPC Code: 784572271951

Brand Name: Milbank
Type: Ringless Metered Power Supply Unit
Special Features: 4 Terminal, Plain Top, Ground Bar, No Bypass, Single Power Head, 6 Branch Circuits
Application: Temporary Power
Standard: UL Listed
Voltage Rating: Up to 240 Volts Alternating Current
Amperage Rating: 125 Ampere Continuous
Wattage: Not Applicable
Frequency Rating: 60 Hertz
Phase: 1 Phase
Number of Receptacles: 2
Receptacle Configuration: Two NEMA 5-20 Ground Fault Receptacles
Control: Two Single Pole 20 Ampere Breakers, No Main Breaker
Material: G90 Galvanized Steel with Powder Coat Finish
Mounting: Surface Mount
Cable Size: 6 AWG to 2/0 AWG
Enclosure: Type 3R



Utility requirements may vary. Always consult the serving utility for their requirements prior to ordering or installing this equipment. This product must always be installed by a licensed electrician. Installation of this equipment may require local electrical inspector approval.

FEATURE TABLE		
ITEM	QTY	DESCRIPTION
A	4	U/L MNTG.EMBOSS
B	2	¼ SOLID K.O.
C	2	½, ¾, 1, 1¼, 1½ CONC. K.O.
D	1	¾, 1, 1¼, 1½, 2 CONC. K.O.
E	2	¼, ½, ¾, 1, 1¼, CONC. K.O.



Version:

1

All dimensions are +/- 1/16".
 Drawing views are not to scale.
 Utility requirements for this equipment may vary. Always consult the serving utility for their requirements prior to ordering or installing this equipment. This product must be installed by a licensed electrician. Installation of this equipment may require local electrical inspector approval.