



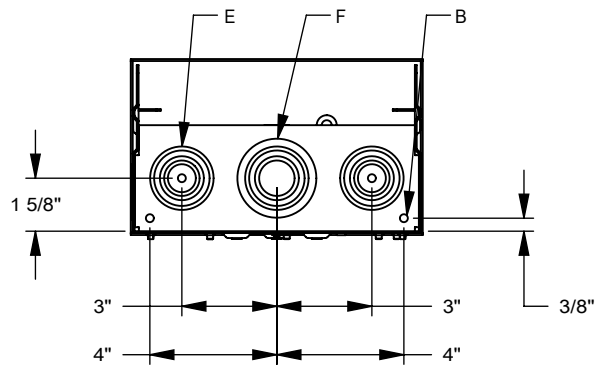
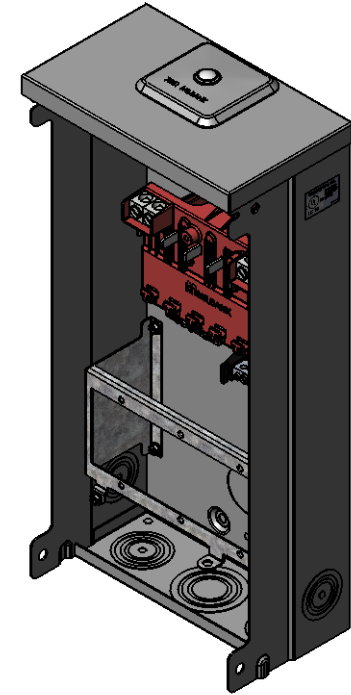
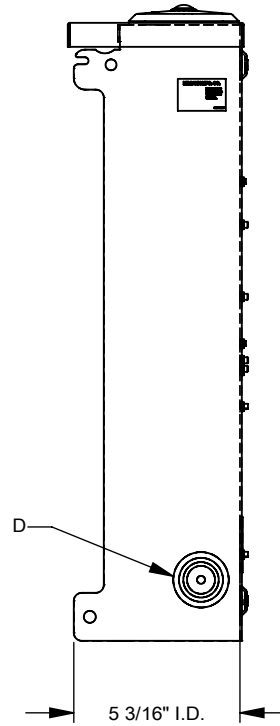
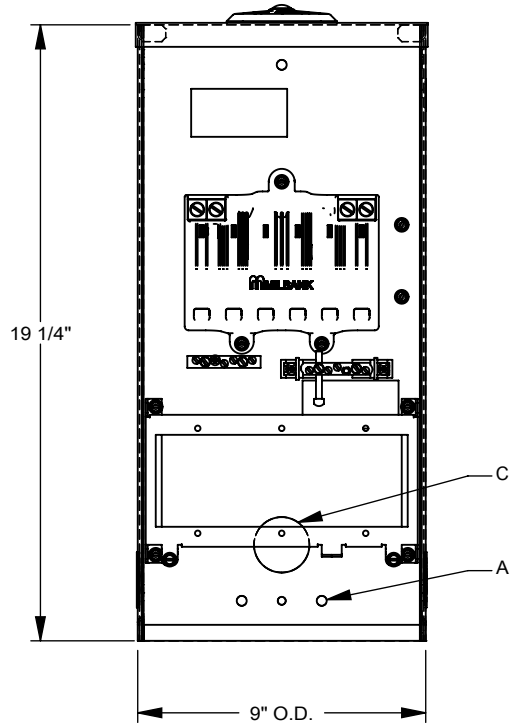
Catalog Number: U5000-XL-75  
Item Description: 125A UNMET P/O  
UPC Code: 784572258785

**Brand Name:** Milbank  
**Type:** Unmetered Power Supply Unit  
**Special Features:** Small Closing Plate, Ground Bar, No Bypass, Single Power Head, 6 Branch Circuits  
**Application:** RV Power  
**Standard:** UL Listed  
**Voltage Rating:** Up to 240 Volts Alternating Current  
**Amperage Rating:** 125 Ampere Continuous  
**Wattage:** Not Applicable  
**Frequency Rating:** 60 Hertz  
**Phase:** 1 Phase  
**Number of Receptacles:** 3  
**Receptacle Configuration:** NEMA 14-50, NEMA TT30, NEMA 5-20 Ground Fault Receptacle  
**Control:** Single Pole 20 Ampere Breaker, Single Pole 30 Ampere Breaker, Double Pole 50 Ampere Breaker, No Main Breaker  
**Material:** G90 Galvanized Steel with Powder Coat Finish  
**Mounting:** Surface Mount  
**Cable Size:** 14 AWG to 1/0 AWG  
**Enclosure:** Type 3R



*Utility requirements may vary. Always consult the serving utility for their requirements prior to ordering or installing this equipment. This product must always be installed by a licensed electrician. Installation of this equipment may require local electrical inspector approval.*

FEATURE TABLE		
ITEM	QTY	DESCRIPTION
A	4	U/L MNTG.EMBOSS
B	2	¼ SOLID K.O.
C	1	1 1/4 SOLID K.O.
D	2	½, ¾, 1, 1¼ CONC. K.O.
E	2	½, ¾, 1, 1¼, 1½ CONC. K.O.
F	1	¾, 1, 1¼, 1½, 2 CONC. K.O.



Version:

1

All dimensions are +/- 1/16".  
Drawing views are not to scale.

Utility requirements for this equipment may vary. Always consult the serving utility for their requirements prior to ordering or installing this equipment. This product must be installed by a licensed electrician. Installation of this equipment may require local electrical inspector approval.



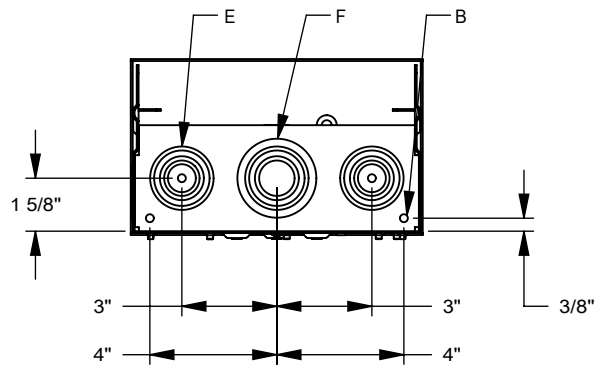
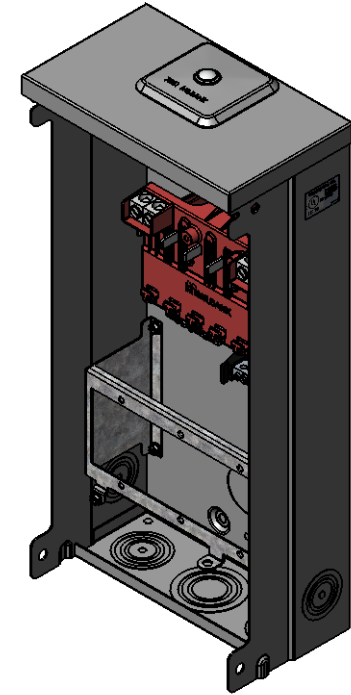
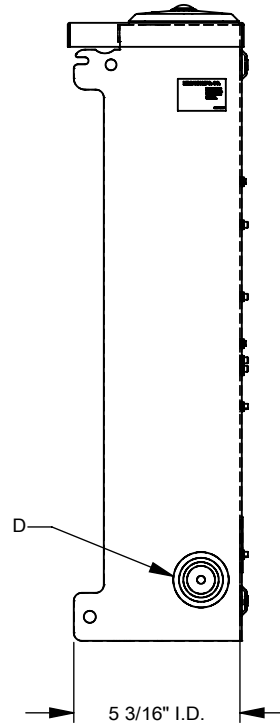
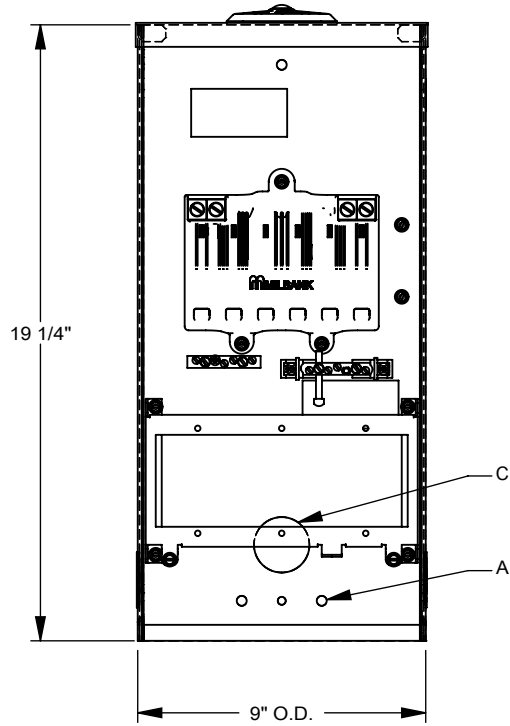
Catalog Number: U5000-XL-75  
Item Description: 125A UNMET P/O  
UPC Code: 784572258785

**Brand Name:** Milbank  
**Type:** Unmetered Power Supply Unit  
**Special Features:** Small Closing Plate, Ground Bar, No Bypass, Single Power Head, 6 Branch Circuits  
**Application:** RV Power  
**Standard:** UL Listed  
**Voltage Rating:** Up to 240 Volts Alternating Current  
**Amperage Rating:** 125 Ampere Continuous  
**Wattage:** Not Applicable  
**Frequency Rating:** 60 Hertz  
**Phase:** 1 Phase  
**Number of Receptacles:** 3  
**Receptacle Configuration:** NEMA 14-50, NEMA TT30, NEMA 5-20 Ground Fault Receptacle  
**Control:** Single Pole 20 Ampere Breaker, Single Pole 30 Ampere Breaker, Double Pole 50 Ampere Breaker, No Main Breaker  
**Material:** G90 Galvanized Steel with Powder Coat Finish  
**Mounting:** Surface Mount  
**Cable Size:** 14 AWG to 1/0 AWG  
**Enclosure:** Type 3R



*Utility requirements may vary. Always consult the serving utility for their requirements prior to ordering or installing this equipment. This product must always be installed by a licensed electrician. Installation of this equipment may require local electrical inspector approval.*

FEATURE TABLE		
ITEM	QTY	DESCRIPTION
A	4	U/L MNTG.EMBOSS
B	2	¼ SOLID K.O.
C	1	1 1/4 SOLID K.O.
D	2	½, ¾, 1, 1¼ CONC. K.O.
E	2	½, ¾, 1, 1¼, 1½ CONC. K.O.
F	1	¾, 1, 1¼, 1½, 2 CONC. K.O.



Version:

1

All dimensions are +/- 1/16".  
Drawing views are not to scale.

Utility requirements for this equipment may vary. Always consult the serving utility for their requirements prior to ordering or installing this equipment. This product must be installed by a licensed electrician. Installation of this equipment may require local electrical inspector approval.