



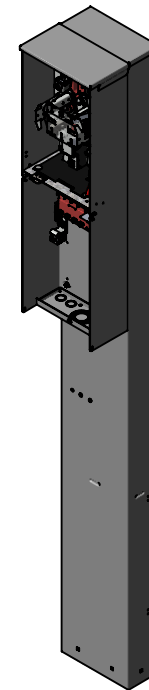
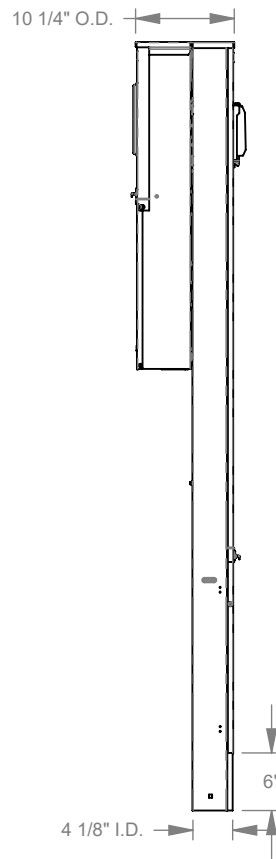
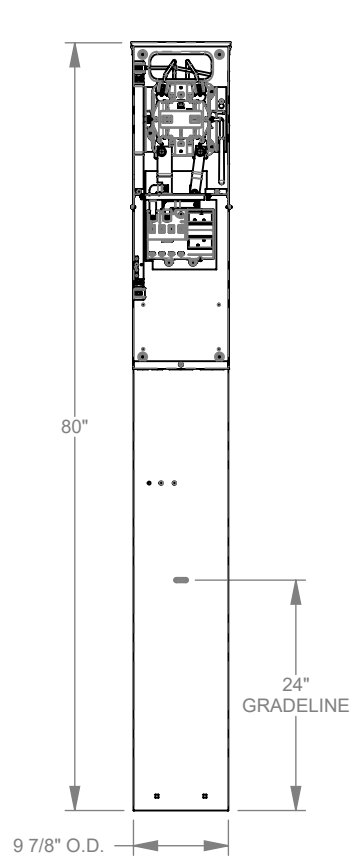
MILBANK
ENERGY AT WORK

U5949-O-5T9-CDOT



Catalog Number	U5949-O-5T9-CDOT	Cable Entry	Underground
Marketing Product Description	5 Terminal Ringless Plain Top Lever Bypass 1 Main Breaker Provision 5th Terminal 9 Oclock Position Single Pedestal Direct Bury Cold Sequence Fuse Pullout Colorado DOT	Terminal	Single Mechanical
UPC	784572652927	Insulation	Glass Polyester
Length (IN)	10.25	Mounting	Pedestal
Width (IN)	9.875	Enclosure	G90 Galvanized Steel with Powder Coat Finish
Height (IN)	80	Jaw Quantity	5 Terminal
Brand Name	Milbank	Bypass Type	Lever Bypass
Type	Ringless Meter Socket	Number of Meter Positions	Single Power Head
Special Features	Colorado DOT	Equipment Ground	4 Barrel Ground Lug
Application	Meter Socket With Main And Load Center	Hub Opening	Plain Top
Standard	UL Listed;Type 3R	Line Side Wire Range	6 AWG - 350 kcmil
Voltage Rating	Up to 240 Volts Alternating Current	Load Side Wire Range	1 AWG - 300 kcmil
Amperage Rating	200 Continuous Ampere	Number Of Receptacles	0
Phase	1 Phase		
Frequency Rating	60 Hertz		
Size	10.25L x 9.875W x80H		
Number Of Cutouts	6		
Cutout Size	Breaker Provision		

Please consult serving utility for their requirements prior to ordering or installing, as specifications and approvals vary by utility and may require local electrical inspector approval. All installations must be installed by a licensed electrician and must comply with all national and local codes, laws and regulations. Milbank reserves the right to make changes in specifications and features shown without notice or obligation.



MILBANK
ENERGY AT WORK

Version:

1

**All dimensions are +/- 1/16".
Drawing views are not to scale.**

Please consult serving utility for their requirements prior to ordering or installing, as specifications and approvals vary by utility, and may require local electrical inspector approval. All installations must be installed by a licensed electrician and must comply with all national and local codes, laws and regulations. Milbank reserves the right to make changes in specifications and features shown without notice or obligation.



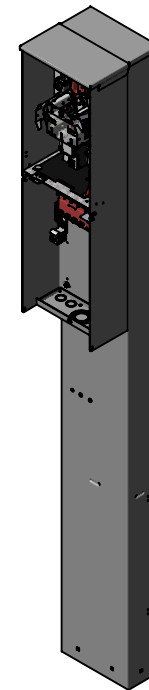
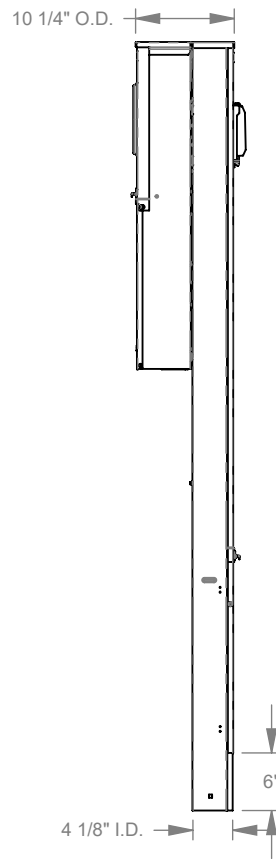
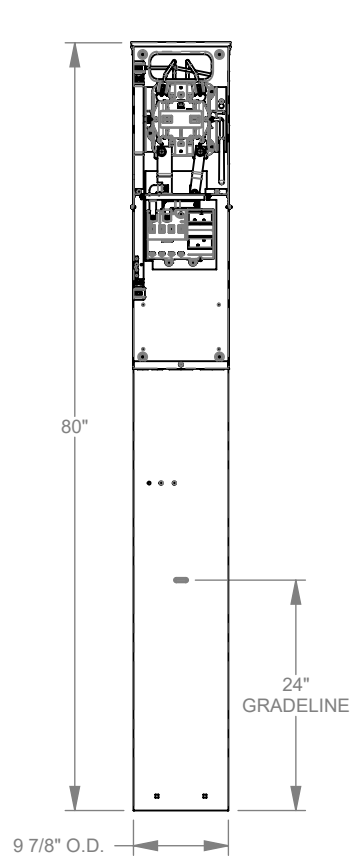
MILBANK
ENERGY AT WORK

U5949-O-5T9-CDOT



Catalog Number	U5949-O-5T9-CDOT	Cable Entry	Underground
Marketing Product Description	5 Terminal Ringless Plain Top Lever Bypass 1 Main Breaker Provision 5th Terminal 9 Oclock Position Single Pedestal Direct Bury Cold Sequence Fuse Pullout Colorado DOT	Terminal	Single Mechanical
UPC	784572652927	Insulation	Glass Polyester
Length (IN)	10.25	Mounting	Pedestal
Width (IN)	9.875	Enclosure	G90 Galvanized Steel with Powder Coat Finish
Height (IN)	80	Jaw Quantity	5 Terminal
Brand Name	Milbank	Bypass Type	Lever Bypass
Type	Ringless Meter Socket	Number of Meter Positions	Single Power Head
Special Features	Colorado DOT	Equipment Ground	4 Barrel Ground Lug
Application	Meter Socket With Main And Load Center	Hub Opening	Plain Top
Standard	UL Listed;Type 3R	Line Side Wire Range	6 AWG - 350 kcmil
Voltage Rating	Up to 240 Volts Alternating Current	Load Side Wire Range	1 AWG - 300 kcmil
Amperage Rating	200 Continuous Ampere	Number Of Receptacles	0
Phase	1 Phase		
Frequency Rating	60 Hertz		
Size	10.25L x 9.875W x80H		
Number Of Cutouts	6		
Cutout Size	Breaker Provision		

Please consult serving utility for their requirements prior to ordering or installing, as specifications and approvals vary by utility and may require local electrical inspector approval. All installations must be installed by a licensed electrician and must comply with all national and local codes, laws and regulations. Milbank reserves the right to make changes in specifications and features shown without notice or obligation.



MILBANK
ENERGY AT WORK

Version:

1

**All dimensions are +/- 1/16".
Drawing views are not to scale.**

Please consult serving utility for their requirements prior to ordering or installing, as specifications and approvals vary by utility, and may require local electrical inspector approval. All installations must be installed by a licensed electrician and must comply with all national and local codes, laws and regulations. Milbank reserves the right to make changes in specifications and features shown without notice or obligation.