

## Quality-Manufactured Replacement Circuit Breakers

Your Manufacturer-Direct Source for Circuit Breakers  
Designed for **Wadsworth®** and **Challenger®** Load Centers.



### CEI Replacement Circuit Breakers:

- Meet or exceed ANSI/UL 489 Standard
- Have a 10,000 amp interrupting rating
- Are HACR and/or SWD rated

5508 128th Street E., Puyallup, WA 98373  
100 W. 11th Street, Suite 100, Anderson, IN 46016  
[www.connecticut-electric.com](http://www.connecticut-electric.com)  
1-800-472-3819

**Connecticut Electric brings leading performance and quality to replacement circuit breakers.**

**Exclusive, Proprietary Replacements  
Performance Tested**

Connecticut Electric is THE source for replacement circuit breakers used in Wadsworth and Challenger load centers. It's also your direct source, meaning you save money and improve your profits when you purchase circuit breakers from Connecticut Electric.

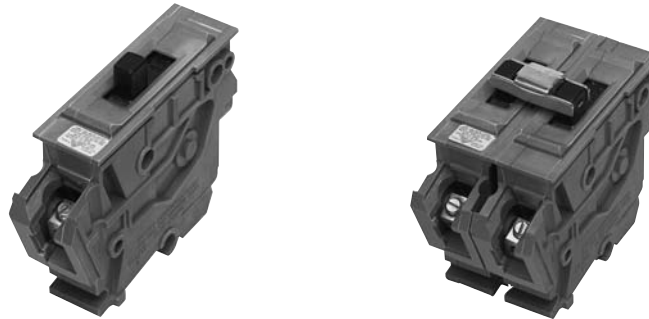
Wadsworth and Challenger circuit breakers from CEI are proprietary brand products available exclusively through one source. CEI purchased the tooling and intellectual properties for the Challenger brand from Thomas & Betts in 2004. The commitment continued to grow in 2006, when CEI purchased the Wadsworth tooling and product line from Milbank. CEI offers five different brands of circuit breakers, making it an unmatched single source.

Products have been tested in accordance with the National Electrical Code and the Standard for Molded-Case Circuit Breakers Enclosures, ANSI/UL 489, 10th Edition. CEI circuit breakers comply with standards for Endurance, Interrupting Ability, Voltage Withstand, and performance under various types of loads and overloads.

# Connecticut Electric Replacement Bulk Circuit Breakers Specifications

## UBIA Breakers For Use in Wadsworth® Load Centers

Catalog Number	Corresponds to	Number of Poles	Volts	Amps	UPC 0-94925-	Master Pkg. I 2 of 5 Code 300-94925-	Sleeve Pack Qty.
UBIA15NI	Wadsworth One Pole Series	1	120	15	00810-4	00810-5	24
UBIA20NI	Wadsworth One Pole Series	1	120	20	00811-1	00811-2	24
UBIA30NI	Wadsworth One Pole Series	1	120	30	00812-8	00812-9	24
UBIA40NI	Wadsworth One Pole Series	1	120	40	00813-5	00813-6	24
UBIA50NI	Wadsworth One Pole Series	1	120	50	00814-2	00814-3	24
UBIA215NI	Wadsworth Two Pole Series	2	120/240	15	00815-9	00815-0	12
UBIA220NI	Wadsworth Two Pole Series	2	120/240	20	00816-6	00816-7	12
UBIA230NI	Wadsworth Two Pole Series	2	120/240	30	00817-3	00817-4	12
UBIA240NI	Wadsworth Two Pole Series	2	120/240	40	00818-0	00818-1	12
UBIA250NI	Wadsworth Two Pole Series	2	120/240	50	00819-7	00819-8	12
UBIA260NI	Wadsworth Two Pole Series	2	120/240	60	00820-3	00820-4	12
UBIA270NI	Wadsworth Two Pole Series	2	120/240	70	00821-0	00821-1	12



## UBITB-A Breakers For Use in Challenger® Load Centers

Catalog Number	Corresponds to	Number of Poles	Volts	Amps	UPC 0-94925-	Inner Pkg. I 2 of 5 Code 100-94925-	Master Pkg. I 2 of 5 Code 300-94925-	Sleeve Pack Qty.	Case Qty.
UBITB-A115L	Challenger One Pole Series, Left Clip	1	120	15	02100-4	02100-1	02100-5	10	120
UBITB-A115R	Challenger One Pole Series, Right Clip	1	120	15	02107-3	02107-0	02107-4	10	120
UBITB-A120L	Challenger One Pole Series, Left Clip	1	120	20	02101-1	02101-8	02101-2	10	120
UBITB-A120R	Challenger One Pole Series, Right Clip	1	120	20	02108-0	02108-7	02108-1	10	120
UBITB-A130L	Challenger One Pole Series, Left Clip	1	120	30	02102-8	02102-5	02102-9	10	120
UBITB-A130R	Challenger One Pole Series, Right Clip	1	120	30	02109-7	02109-4	02109-8	10	120
UBITB-A215	Challenger Two Pole Series	2	120/240	15	02119-6	02119-3	02119-7	10	60
UBITB-A220	Challenger Two Pole Series	2	120/240	20	02103-5	02103-2	02103-6	10	60
UBITB-A230	Challenger Two Pole Series	2	120/240	30	02104-2	02104-9	02104-3	10	60
UBITB-A240	Challenger Two Pole Series	2	120/240	40	02105-9	02105-6	02105-0	10	60
UBITB-A250	Challenger Two Pole Series	2	120/240	50	02106-6	02106-3	02106-7	10	60



The circuit breakers have been tested and certified in accordance with the National Electric Code and conform to the ANSI/UL Standard 489, 10th Edition. Interrupting Rating 10,000 Amps max. • RMS SYM. • 120/240 Volts AC • SWD • HACR  
Wadsworth® and Challenger® are registered trademarks of Connecticut Electric, Inc.

## Quality-Manufactured Replacement Circuit Breakers

Your Manufacturer-Direct Source for Circuit Breakers  
Designed for **Wadsworth®** and **Challenger®** Load Centers.



### CEI Replacement Circuit Breakers:

- Meet or exceed ANSI/UL 489 Standard
- Have a 10,000 amp interrupting rating
- Are HACR and/or SWD rated

5508 128th Street E., Puyallup, WA 98373  
100 W. 11th Street, Suite 100, Anderson, IN 46016  
[www.connecticut-electric.com](http://www.connecticut-electric.com)  
1-800-472-3819

**Connecticut Electric brings leading performance and quality to replacement circuit breakers.**

**Exclusive, Proprietary Replacements  
Performance Tested**

Connecticut Electric is THE source for replacement circuit breakers used in Wadsworth and Challenger load centers. It's also your direct source, meaning you save money and improve your profits when you purchase circuit breakers from Connecticut Electric.

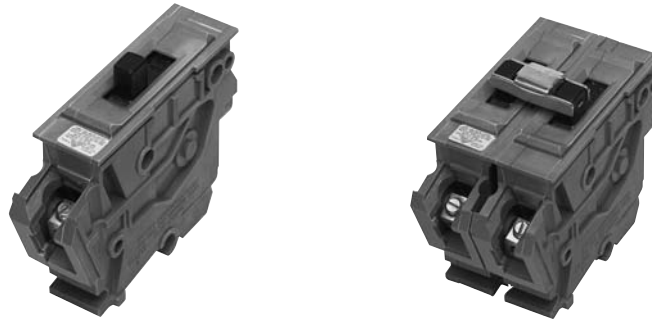
Wadsworth and Challenger circuit breakers from CEI are proprietary brand products available exclusively through one source. CEI purchased the tooling and intellectual properties for the Challenger brand from Thomas & Betts in 2004. The commitment continued to grow in 2006, when CEI purchased the Wadsworth tooling and product line from Milbank. CEI offers five different brands of circuit breakers, making it an unmatched single source.

Products have been tested in accordance with the National Electrical Code and the Standard for Molded-Case Circuit Breakers Enclosures, ANSI/UL 489, 10th Edition. CEI circuit breakers comply with standards for Endurance, Interrupting Ability, Voltage Withstand, and performance under various types of loads and overloads.

# Connecticut Electric Replacement Bulk Circuit Breakers Specifications

## UBIA Breakers For Use in Wadsworth® Load Centers

Catalog Number	Corresponds to	Number of Poles	Volts	Amps	UPC 0-94925-	Master Pkg. I 2 of 5 Code 300-94925-	Sleeve Pack Qty.
UBIA15NI	Wadsworth One Pole Series	1	120	15	00810-4	00810-5	24
UBIA20NI	Wadsworth One Pole Series	1	120	20	00811-1	00811-2	24
UBIA30NI	Wadsworth One Pole Series	1	120	30	00812-8	00812-9	24
UBIA40NI	Wadsworth One Pole Series	1	120	40	00813-5	00813-6	24
UBIA50NI	Wadsworth One Pole Series	1	120	50	00814-2	00814-3	24
UBIA215NI	Wadsworth Two Pole Series	2	120/240	15	00815-9	00815-0	12
UBIA220NI	Wadsworth Two Pole Series	2	120/240	20	00816-6	00816-7	12
UBIA230NI	Wadsworth Two Pole Series	2	120/240	30	00817-3	00817-4	12
UBIA240NI	Wadsworth Two Pole Series	2	120/240	40	00818-0	00818-1	12
UBIA250NI	Wadsworth Two Pole Series	2	120/240	50	00819-7	00819-8	12
UBIA260NI	Wadsworth Two Pole Series	2	120/240	60	00820-3	00820-4	12
UBIA270NI	Wadsworth Two Pole Series	2	120/240	70	00821-0	00821-1	12



## UBITB-A Breakers For Use in Challenger® Load Centers

Catalog Number	Corresponds to	Number of Poles	Volts	Amps	UPC 0-94925-	Inner Pkg. I 2 of 5 Code 100-94925-	Master Pkg. I 2 of 5 Code 300-94925-	Sleeve Pack Qty.	Case Qty.
UBITB-A115L	Challenger One Pole Series, Left Clip	1	120	15	02100-4	02100-1	02100-5	10	120
UBITB-A115R	Challenger One Pole Series, Right Clip	1	120	15	02107-3	02107-0	02107-4	10	120
UBITB-A120L	Challenger One Pole Series, Left Clip	1	120	20	02101-1	02101-8	02101-2	10	120
UBITB-A120R	Challenger One Pole Series, Right Clip	1	120	20	02108-0	02108-7	02108-1	10	120
UBITB-A130L	Challenger One Pole Series, Left Clip	1	120	30	02102-8	02102-5	02102-9	10	120
UBITB-A130R	Challenger One Pole Series, Right Clip	1	120	30	02109-7	02109-4	02109-8	10	120
UBITB-A215	Challenger Two Pole Series	2	120/240	15	02119-6	02119-3	02119-7	10	60
UBITB-A220	Challenger Two Pole Series	2	120/240	20	02103-5	02103-2	02103-6	10	60
UBITB-A230	Challenger Two Pole Series	2	120/240	30	02104-2	02104-9	02104-3	10	60
UBITB-A240	Challenger Two Pole Series	2	120/240	40	02105-9	02105-6	02105-0	10	60
UBITB-A250	Challenger Two Pole Series	2	120/240	50	02106-6	02106-3	02106-7	10	60



The circuit breakers have been tested and certified in accordance with the National Electric Code and conform to the ANSI/UL Standard 489, 10th Edition. Interrupting Rating 10,000 Amps max. • RMS SYM. • 120/240 Volts AC • SWD • HACR  
Wadsworth® and Challenger® are registered trademarks of Connecticut Electric, Inc.