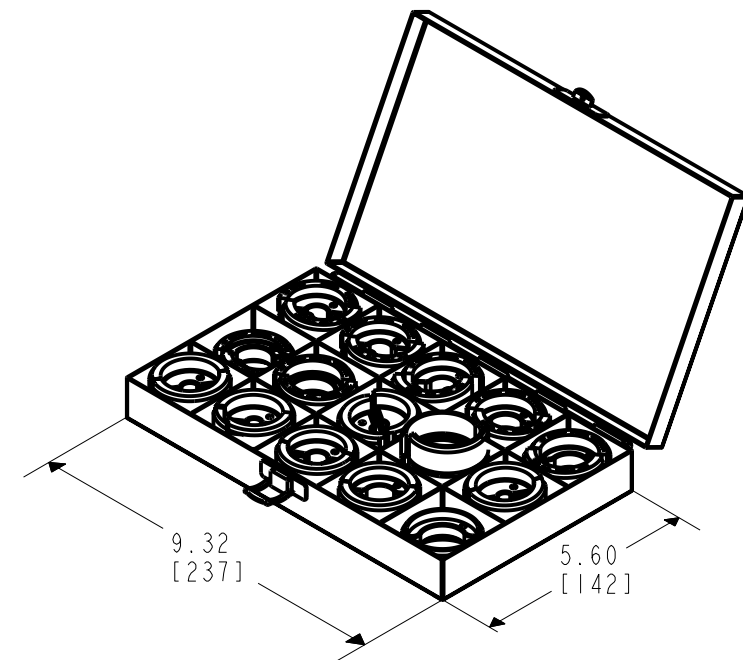


UDIEKITCU INCLUDES	
COPPER WIRE SIZE	CATALOG NUMBER
#6 AWG	U5CRT
#4 AWG	U4CRT
#2 AWG	U2CRT
#1 AWG	U1CRT-1
1/0 AWG	U25RT
2/0 AWG	U26RT
3/0 AWG	U27RT
4/0 AWG	U28RT
250 kcmil	U29RT
300 kcmil	U30RT
350 kcmil	U31RT
400 kcmil	U32RT
500 kcmil	U34RT
600 kcmil	U36RT
750 kcmil	U39RT
DIE CASE	PT29291

UDIEKITHYGRD INCLUDES
CATALOG NUMBER
UC
U0
U997
PU998
U1011
U1104
U1105
U2CABT (GROUND ROD PRE-CRIMP DIE)
PT29291 (DIE CASE)

REV.	DATE	DESCRIPTION	ECO	BY	C'H'K.
A	10/01/2013 00:00:00 AM	NEW SALES DRAWING CREATION	32104	PR	MB



NOTES:

BURNDY® U-DIE KITS

- EACH UDIEKITCU DIE KIT INCLUDES 15 SETS OF "U" AND THE PT29291 DIE CASE.
- THESE STAINLESS STEEL COLOR CODED DIES ARE FOR CRIMPING BURNDY® YA AND YS TYPE HYLUG™ AND HYLINK™ COLOR CODED TERMINALS AND SPLICES RANGING FROM #6 AWG THROUGH 750 kcmil.
- THE UDIEKITHYGRD KIT INCLUDES EIGHT DIE SETS. SEVEN DIES SETS ARE USED TO INSTALL THE BURNDY® HYGROUND™ IRREVERSIBLE COMPRESSION GROUNDING CONNECTORS, AND THE LAST SET IS USED TO PRE-CRIMP 1/2", 5/8", 3/4" GROUND RODS FOR INCREASED ROTATIONAL RESISTANCE.
- MATERIAL: DIES: STAINLESS STEEL
CASE: STEEL

TO ORDER BURNDY® PRODUCTS CALL

UNITED STATES:
1-800-346-4175 (LONDONDERRY, NH)

CANADA:
1-800-361-6975 (QUEBEC)
1-800-387-6487 (ALL OTHER PROVINCES)

FOR PRODUCT INFO: <http://www.burndy.com>

U DIE KITS	
ITEM NO: 10095062, 10097699	
CAT. NO: UDIEKITCU, UDIEKITHYGRD	
DRAWN BY: YPADMARAJA 12/04/2012	
CHECKER: L.BROWN 10/04/2013	
DSN APPVL: L.BROWN 10/04/2013	
MFG APPVL: --	
QA APPVL: C.ACKERMAN 10/22/2013	
MKT APPVL: D.OWENS 12/31/2013	
SCALE: 0.250	
PROD FAM: --	
PROJECT #: --	
DOCUMENT TYPE: Sales	
REL LEVEL: Released	
DRAWING NO: 50015897	
REV: A	
SHEET 1 OF 1	

REV: PE0200