

# Vaporgard V2L LED Luminaires

Cl. I, Div. 2, Groups A, B, C, D  
Cl. II, Div. 1, Groups F, G

UL Listed  
CSA Certified  
IECEX/ATEX  
NEMA 4X; IP66

2L

2L

## The Vaporgard™ LED family

### V2LC – cool white color temperature

The V2LC luminaire provides uniform crisp, white light and is suitable for lower mounting heights, confined spaces, tunnels or utility rooms. Using four high power, high brightness LED arrays, this fixture can deliver similar light levels to 150 watt incandescent.

### V2LW – warm white color temperature

The V2LW luminaire provides similar benefits as the cool white version, but with a color rendering more consistent with a warm incandescent or HPS lamp source.

### Available with DC power supply



For applications with DC power requirements such as solar, battery or UPS. The DC power supply is suitable for 12 VDC through 24 VDC.

Model	Nominal lumens	Watts	Equivalent incandescent luminaire	Typical energy savings / lifetime
V2LC/UNV1	1,633	22	150W-200W	85%
V2LW/UNV1	1,400	22		
V2LC/DC1	1,633	22		
V2LW/DC1	1,400	22		

## Applications:

- Oil and gas refineries, drilling rigs, petrochemical facilities, food and beverage facilities, platforms, loading docks, tunnels, outdoor wall and stanchion mounted general area lighting, and where flammable vapors, gases, ignitable dusts, fibers or flyings are present
- Locations requiring continuous and consistent light levels in extreme ambient temperatures
- Where extremely corrosive, wet, dusty, hot and/or cold conditions exist
- Type 4X, marine, wet locations and hose down environments
- Confined space or low ceiling areas, such as tunnels, utility rooms, over doorways, entries, landings, etc.
- Areas requiring frequent on/off of lights
- Areas where maintenance is difficult or challenging
- Areas requiring shatter-protected products, such as food processing facilities
- Outdoor wall or ceiling mounted area illumination
- Low mounting heights
- Classified and hazardous locations

## Certifications and compliances:

- Class I, Division 2, Groups A, B, C, D
- Class II, Division 1, Groups F, G
- UL844; UL1598; UL1598A
- CSA C22.2 No. 137
- NEMA 4X, IP66
- RoHS compliant
-  II 3 G Ex nA IIC T4 Gc (T4 at 55°C)
-  II 3 D Ex tc IIIB T69°C Dc IP66
- EN60079-0:2009; EN60079-15:2010; EN60079-31:2009
- DesignLights Consortium® Qualified (some models are not DLC qualified)<sup>A</sup>



V2LC



V2LW

## Features:

- Instant illumination and restrike
- Cold temperature operation; no warm-up time
- Multi-die LED arrays improve reliability
- Lightweight, low profile and cool surface temperatures
- Driver with internal fusing for branch circuit protection
- 22 watt LED system can save up to 85% in energy costs
- 50K hours rated life can provide >10 years of maintenance-free lighting
- No mercury or hazardous chemicals – eliminates disposal concerns
- Mounts to existing Vaporgard mounting modules
- Shock- and vibration-resistant
- Teflon coated lens (suffix S896) option for increased safety in food processing facilities
- Low starting temperature: -25°C
- Operating ambient: -25°C to 55°C (high temperature option)
- 5 year limited warranty<sup>B</sup>

## Standard materials:

- Body and mounting modules – copper-free aluminum with Corro-free epoxy powder coat
- Lens bezel – aluminum with anodized finish
- Lens – heat- and impact-resistant glass
- Gaskets – silicone
- External hardware – stainless steel

## Photometrics:

- Complete photometrics can be found at [www.crouse-hinds.com/photometrics](http://www.crouse-hinds.com/photometrics)

## Electrical ratings:

	V2LC/UNV1	V2LW/UNV1	V2LC/DC1	V2LW/DC1
Voltage	90-264 VAC, 277 VAC	90-264 VAC, 277 VAC	12-24 VDC	12-24 VDC
Input power (watts)	22	22	22	22
Input current	0.23/0.10	0.23/0.10	2.1/1.0	2.1/1.0
Power factor	>0.9	>0.9	N/A	N/A
THD (I) (%)	<20%	<20%	N/A	N/A
Maintained lumens	1,633	1,400	1,633	1,400
Color temperature	5600K	3000K	5600K	3000K

**Note:** 5 year limited warranty. Refer to page 2 of the most current authorized distributor price book for Eaton's Crouse-Hinds Division's standard Terms and Conditions.

<sup>A</sup> Approved models include: V2LC/UNV1. Refer to [www.designlights.org](http://www.designlights.org) Qualified Products List under Family Models for full listing details. Not all models are approved for all application categories.

<sup>B</sup> Refer to page 2 of the most current authorized distributor price book for Eaton's Crouse-Hinds Division's standard Terms and Conditions.

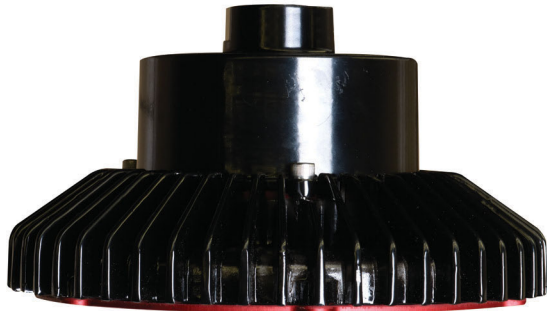
# Vaporgard V2L LED Luminaires

Cl. I, Div. 2, Groups A, B, C, D  
Cl. II, Div. 1, Groups F, G

UL Listed  
CSA Certified  
IECEX/ATEX  
NEMA 4X; IP66

2L

2L



## EASY INSTALLATION AND REPLACEMENT

- Contractor-friendly design is ideal for both retrofit and new construction applications
- Installed using the same wall and ceiling mounts as incandescent Vaporgard fixtures

## RUGGED HEAT SINK

- Heat sink designed to perform in high ambient temperatures up to +55°C and as low as -30°C
- Thick walled castings make for a tough, rugged housing that keeps the internal driver and LED temperature down

## LOW PROFILE DESIGN

- Unique domeless, low profile design for low mounting heights and confined spaces where incandescent and HID based luminaires are too large to fit in the mechanical envelope required

## MULTIPLE LENS OPTIONS

- Tempered clear glass lens standard
- Diffused glass lens and Teflon coated lens options available

## MODULAR DESIGN

- Compact and modular design allows for easy component replacement and future upgrades



# Vaporgard V2L LED Luminaires

Cl. I, Div. 2, Groups A, B, C, D  
Cl. II, Div. 1, Groups F, G

UL Listed  
CSA Certified  
IECEX/ATEX  
NEMA 4X; IP66

2L

2L

## LED driver:

- Constant current regulated power supply
- 90-264 VAC, 277 VAC, 50/60 Hz
- Internal fusing
- Active power factor correction, >0.9
- Low harmonic distortion, <20%
- Low in-rush current, <20 amps
- EMC compliant to 47CFR, Part 2, Part 15
- 12-24 VDC option available

## LED system:

- Four high brightness LED arrays
- Cool white (5600K), CRI 65
- Warm white (3000K), CRI 82
- 70% lumen maintenance (L70) at 50K hours
- Array complies with requirements of LM80

## Options:

Description	Suffix
• Frosted lens.....	<b>S891</b>
<i>Available with NEC version only</i>	
• Teflon coated lens.....	<b>S896</b>
<i>Available with NEC version only</i>	
• High temperature option (up to 55°C ambient temperature)....	<b>S902</b>
• Brazil (CEPEL certification).....	<b>BR</b>
<i>Available with IEC version only</i>	

## Ordering information – NEC/CEC:

Mounting style	Cool white		Warm white	
	Cat. # AC drive	Cat. # DC drive	Cat. # AC drive	Cat. # DC drive
1/2" pendant <sup>ⓐ</sup>	V2LCA1/UNV1	V2LCA1/DC1	V2LWA1/UNV1	V2LWA1/DC1
3/4" pendant <sup>ⓐ</sup>	V2LCA2/UNV1	V2LCA2/DC1	V2LWA2/UNV1	V2LWA2/DC1
1" pendant <sup>ⓐ</sup>	V2LCA3/UNV1	V2LCA3/DC1	V2LWA3/UNV1	V2LWA3/DC1
1/2" wall with junction box	V2LCHBF1/UNV1	V2LCHBF1/DC1	V2LWHBF1/UNV1	V2LWHBF1/DC1
3/4" wall with junction box	V2LCHBF2/UNV1	V2LCHBF2/DC1	V2LWHBF2/UNV1	V2LWHBF2/DC1
1/2" ceiling	V2LCHF1/UNV1	V2LCHF1/DC1	V2LWHF1/UNV1	V2LWHF1/DC1
3/4" ceiling	V2LCHF2/UNV1	V2LCHF2/DC1	V2LWHF2/UNV1	V2LWHF2/DC1
1/2" VXT wall	V2LCHT1/UNV1	V2LCHT1/DC1	V2LWHT1/UNV1	V2LWHT1/DC1
3/4" VXT wall	V2LCHT2/UNV1	V2LCHT2/DC1	V2LWHT2/UNV1	V2LWHT2/DC1
1/2" VXX wall <sup>ⓐ</sup>	V2LCHW1/UNV1	V2LCHW1/DC1	V2LWHW1/UNV1	V2LWHW1/DC1
3/4" VXX wall <sup>ⓐ</sup>	V2LCHW2/UNV1	V2LCHW2/DC1	V2LWHW2/UNV1	V2LWHW2/DC1
1 1/4" stanchion <sup>ⓐ</sup>	V2LCHJ4/UNV1	V2LCHJ4/DC1	V2LWHJ4/UNV1	V2LWHJ4/DC1
Adapter only <sup>ⓐ</sup>	V2LCHR/UNV1	V2LCHR/DC1	V2LWHR/UNV1	V2LWHR/DC1

**Note:** 5 year limited warranty. Refer to page 2 of the most current authorized distributor price book for Eaton's Crouse-Hinds Division's standard Terms and Conditions.

## Ordering information – IECEX/ATEX:

Mounting style	Cat. #	Cat. #
	Cool white AC drive	Warm white AC drive
1/2" Pendant	NV2LCA1/UNV1	NV2LWA1/UNV1
3/4" Pendant	NV2LCA2/UNV1	NV2LWA2/UNV1
1" Pendant	NV2LCA3/UNV1	NV2LWA3/UNV1
1/2" Wall with junction box	NV2LCHBF1/UNV1	NV2LWHBF1/UNV1
3/4" Wall with junction box	NV2LCHBF2/UNV1	NV2LWHBF2/UNV1
1/2" Ceiling	NV2LCHF1/UNV1	NV2LWHF1/UNV1
3/4" Ceiling	NV2LCHF2/UNV1	NV2LWHF2/UNV1
1/2" Wall	NV2LCHT1/UNV1	NV2LWHT1/UNV1
3/4" Wall	NV2LCHT2/UNV1	NV2LWHT2/UNV1
1 1/4" Stanchion	NV2LCHJ4/UNV1	NV2LWHJ4/UNV1

<sup>ⓐ</sup>Contact your local sales representative for warm white temperature ratings.

<sup>ⓑ</sup>For use in Class I, Division 2 or Class II, Division 1, Groups F, G. For Class II, you must order complete catalog number (not available for purchase in components).

<sup>ⓒ</sup>For use when wall mount or ceiling mount box is already installed.

## Temperature performance data:

Model	Max. temp. °C	Temp. rating <sup>ⓐ</sup>
V2LC/UNV1	40	T5
V2LC/UNV1 S902	55	T4A
V2LC/DC1	40	T5
NV2LC/UNV1	40	T4
NV2LC/UNV1 S902	55	T4

## Weights:

Mounting style	Lbs.	Kg.
Pendant	5.70	2.59
Ceiling	6.80	3.08
Wall	7.90	3.58
Stanchion	6.50	2.95

# Vaporgard V2L LED Luminaires

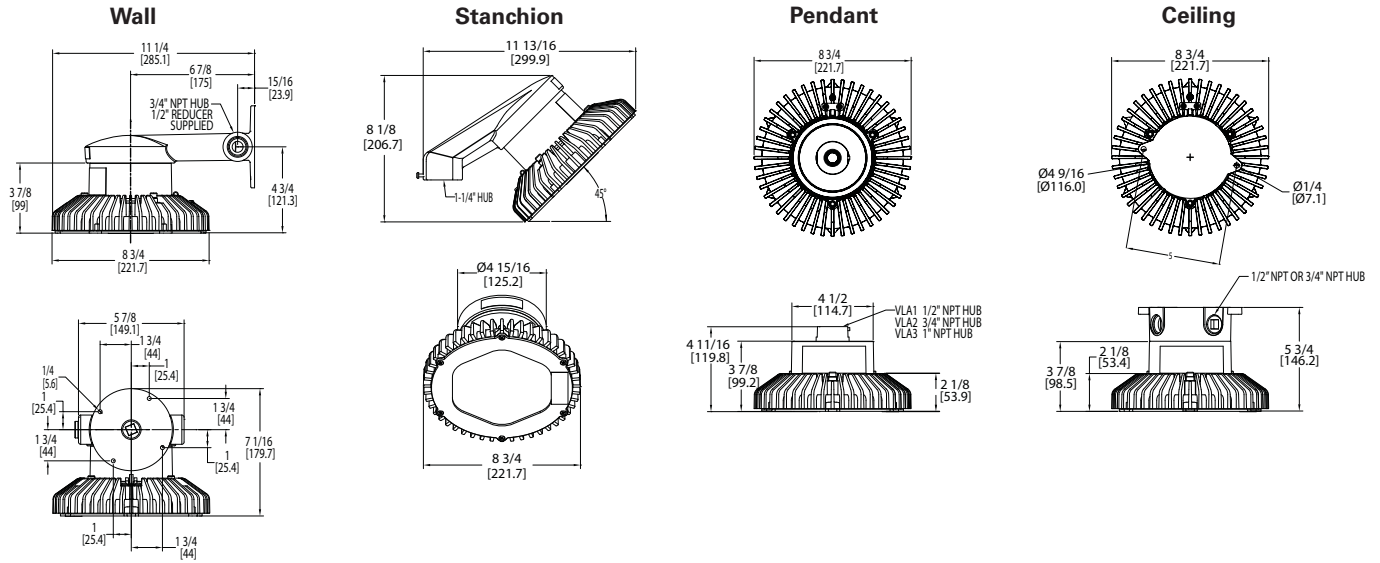
Cl. I, Div. 2, Groups A, B, C, D  
Cl. II, Div. 1, Groups F, G

UL Listed  
CSA Certified  
IECEX/ATEX  
NEMA 4X; IP66

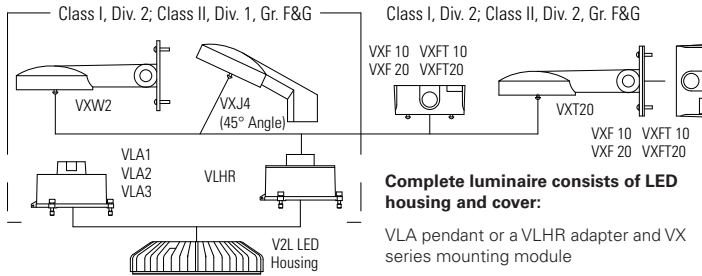
2L

2L

## Dimensions:



## Family tree:



# Vaporgard V2L LED Luminaires

Cl. I, Div. 2, Groups A, B, C, D  
Cl. II, Div. 1, Groups F, G

UL Listed  
CSA Certified  
IECEX/ATEX  
NEMA 4X; IP66

2L

2L

## The Vaporgard™ LED family

### V2LC – cool white color temperature

The V2LC luminaire provides uniform crisp, white light and is suitable for lower mounting heights, confined spaces, tunnels or utility rooms. Using four high power, high brightness LED arrays, this fixture can deliver similar light levels to 150 watt incandescent.

### V2LW – warm white color temperature

The V2LW luminaire provides similar benefits as the cool white version, but with a color rendering more consistent with a warm incandescent or HPS lamp source.

### Available with DC power supply



For applications with DC power requirements such as solar, battery or UPS. The DC power supply is suitable for 12 VDC through 24 VDC.

Model	Nominal lumens	Watts	Equivalent incandescent luminaire	Typical energy savings / lifetime
V2LC/UNV1	1,633	22	150W-200W	85%
V2LW/UNV1	1,400	22		
V2LC/DC1	1,633	22		
V2LW/DC1	1,400	22		

## Applications:

- Oil and gas refineries, drilling rigs, petrochemical facilities, food and beverage facilities, platforms, loading docks, tunnels, outdoor wall and stanchion mounted general area lighting, and where flammable vapors, gases, ignitable dusts, fibers or flyings are present
- Locations requiring continuous and consistent light levels in extreme ambient temperatures
- Where extremely corrosive, wet, dusty, hot and/or cold conditions exist
- Type 4X, marine, wet locations and hose down environments
- Confined space or low ceiling areas, such as tunnels, utility rooms, over doorways, entries, landings, etc.
- Areas requiring frequent on/off of lights
- Areas where maintenance is difficult or challenging
- Areas requiring shatter-protected products, such as food processing facilities
- Outdoor wall or ceiling mounted area illumination
- Low mounting heights
- Classified and hazardous locations

## Certifications and compliances:

- Class I, Division 2, Groups A, B, C, D
- Class II, Division 1, Groups F, G
- UL844; UL1598; UL1598A
- CSA C22.2 No. 137
- NEMA 4X, IP66
- RoHS compliant
-  II 3 G Ex nA IIC T4 Gc (T4 at 55°C)
-  II 3 D Ex tc IIIB T69°C Dc IP66
- EN60079-0:2009; EN60079-15:2010; EN60079-31:2009
- DesignLights Consortium® Qualified (some models are not DLC qualified)<sup>A</sup>



V2LC



V2LW

## Features:

- Instant illumination and restrike
- Cold temperature operation; no warm-up time
- Multi-die LED arrays improve reliability
- Lightweight, low profile and cool surface temperatures
- Driver with internal fusing for branch circuit protection
- 22 watt LED system can save up to 85% in energy costs
- 50K hours rated life can provide >10 years of maintenance-free lighting
- No mercury or hazardous chemicals – eliminates disposal concerns
- Mounts to existing Vaporgard mounting modules
- Shock- and vibration-resistant
- Teflon coated lens (suffix S896) option for increased safety in food processing facilities
- Low starting temperature: -25°C
- Operating ambient: -25°C to 55°C (high temperature option)
- 5 year limited warranty<sup>B</sup>

## Standard materials:

- Body and mounting modules – copper-free aluminum with Corro-free epoxy powder coat
- Lens bezel – aluminum with anodized finish
- Lens – heat- and impact-resistant glass
- Gaskets – silicone
- External hardware – stainless steel

## Photometrics:

- Complete photometrics can be found at [www.crouse-hinds.com/photometrics](http://www.crouse-hinds.com/photometrics)

## Electrical ratings:

	V2LC/UNV1	V2LW/UNV1	V2LC/DC1	V2LW/DC1
Voltage	90-264 VAC, 277 VAC	90-264 VAC, 277 VAC	12-24 VDC	12-24 VDC
Input power (watts)	22	22	22	22
Input current	0.23/0.10	0.23/0.10	2.1/1.0	2.1/1.0
Power factor	>0.9	>0.9	N/A	N/A
THD (I) (%)	<20%	<20%	N/A	N/A
Maintained lumens	1,633	1,400	1,633	1,400
Color temperature	5600K	3000K	5600K	3000K

**Note:** 5 year limited warranty. Refer to page 2 of the most current authorized distributor price book for Eaton's Crouse-Hinds Division's standard Terms and Conditions.

<sup>A</sup> Approved models include: V2LC/UNV1. Refer to [www.designlights.org](http://www.designlights.org) Qualified Products List under Family Models for full listing details. Not all models are approved for all application categories.

<sup>B</sup> Refer to page 2 of the most current authorized distributor price book for Eaton's Crouse-Hinds Division's standard Terms and Conditions.

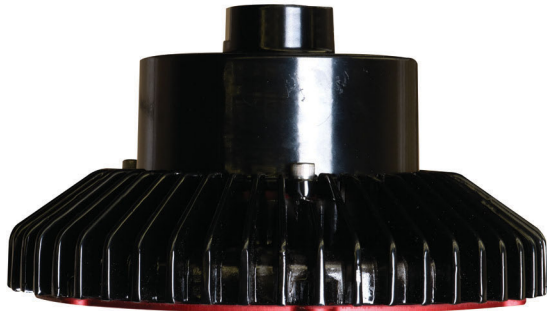
# Vaporgard V2L LED Luminaires

Cl. I, Div. 2, Groups A, B, C, D  
Cl. II, Div. 1, Groups F, G

UL Listed  
CSA Certified  
IECEX/ATEX  
NEMA 4X; IP66

2L

2L



## EASY INSTALLATION AND REPLACEMENT

- Contractor-friendly design is ideal for both retrofit and new construction applications
- Installed using the same wall and ceiling mounts as incandescent Vaporgard fixtures

## RUGGED HEAT SINK

- Heat sink designed to perform in high ambient temperatures up to +55°C and as low as -30°C
- Thick walled castings make for a tough, rugged housing that keeps the internal driver and LED temperature down

## LOW PROFILE DESIGN

- Unique domeless, low profile design for low mounting heights and confined spaces where incandescent and HID based luminaires are too large to fit in the mechanical envelope required

## MULTIPLE LENS OPTIONS

- Tempered clear glass lens standard
- Diffused glass lens and Teflon coated lens options available

## MODULAR DESIGN

- Compact and modular design allows for easy component replacement and future upgrades



# Vaporgard V2L LED Luminaires

Cl. I, Div. 2, Groups A, B, C, D  
Cl. II, Div. 1, Groups F, G

UL Listed  
CSA Certified  
IECEX/ATEX  
NEMA 4X; IP66

2L

2L

## LED driver:

- Constant current regulated power supply
- 90-264 VAC, 277 VAC, 50/60 Hz
- Internal fusing
- Active power factor correction, >0.9
- Low harmonic distortion, <20%
- Low in-rush current, <20 amps
- EMC compliant to 47CFR, Part 2, Part 15
- 12-24 VDC option available

## LED system:

- Four high brightness LED arrays
- Cool white (5600K), CRI 65
- Warm white (3000K), CRI 82
- 70% lumen maintenance (L70) at 50K hours
- Array complies with requirements of LM80

## Options:

Description	Suffix
• Frosted lens .....	<b>S891</b>
<i>Available with NEC version only</i>	
• Teflon coated lens .....	<b>S896</b>
<i>Available with NEC version only</i>	
• High temperature option (up to 55°C ambient temperature) ....	<b>S902</b>
• Brazil (CEPEL certification) .....	<b>BR</b>
<i>Available with IEC version only</i>	

## Ordering information – NEC/CEC:

Mounting style	Cool white		Warm white	
	Cat. # AC drive	Cat. # DC drive	Cat. # AC drive	Cat. # DC drive
1/2" pendant <sup>ⓐ</sup>	V2LCA1/UNV1	V2LCA1/DC1	V2LWA1/UNV1	V2LWA1/DC1
3/4" pendant <sup>ⓐ</sup>	V2LCA2/UNV1	V2LCA2/DC1	V2LWA2/UNV1	V2LWA2/DC1
1" pendant <sup>ⓐ</sup>	V2LCA3/UNV1	V2LCA3/DC1	V2LWA3/UNV1	V2LWA3/DC1
1/2" wall with junction box	V2LCHBF1/UNV1	V2LCHBF1/DC1	V2LWHBF1/UNV1	V2LWHBF1/DC1
3/4" wall with junction box	V2LCHBF2/UNV1	V2LCHBF2/DC1	V2LWHBF2/UNV1	V2LWHBF2/DC1
1/2" ceiling	V2LCHF1/UNV1	V2LCHF1/DC1	V2LWHF1/UNV1	V2LWHF1/DC1
3/4" ceiling	V2LCHF2/UNV1	V2LCHF2/DC1	V2LWHF2/UNV1	V2LWHF2/DC1
1/2" VXT wall	V2LCHT1/UNV1	V2LCHT1/DC1	V2LWHT1/UNV1	V2LWHT1/DC1
3/4" VXT wall	V2LCHT2/UNV1	V2LCHT2/DC1	V2LWHT2/UNV1	V2LWHT2/DC1
1/2" VXX wall <sup>ⓐ</sup>	V2LCHW1/UNV1	V2LCHW1/DC1	V2LWHW1/UNV1	V2LWHW1/DC1
3/4" VXX wall <sup>ⓐ</sup>	V2LCHW2/UNV1	V2LCHW2/DC1	V2LWHW2/UNV1	V2LWHW2/DC1
1 1/4" stanchion <sup>ⓐ</sup>	V2LCHJ4/UNV1	V2LCHJ4/DC1	V2LWHJ4/UNV1	V2LWHJ4/DC1
Adapter only <sup>ⓐ</sup>	V2LCHR/UNV1	V2LCHR/DC1	V2LWHR/UNV1	V2LWHR/DC1

**Note:** 5 year limited warranty. Refer to page 2 of the most current authorized distributor price book for Eaton's Crouse-Hinds Division's standard Terms and Conditions.

## Ordering information – IECEX/ATEX:

Mounting style	Cat. #	Cat. #
	Cool white AC drive	Warm white AC drive
1/2" Pendant	NV2LCA1/UNV1	NV2LWA1/UNV1
3/4" Pendant	NV2LCA2/UNV1	NV2LWA2/UNV1
1" Pendant	NV2LCA3/UNV1	NV2LWA3/UNV1
1/2" Wall with junction box	NV2LCHBF1/UNV1	NV2LWHBF1/UNV1
3/4" Wall with junction box	NV2LCHBF2/UNV1	NV2LWHBF2/UNV1
1/2" Ceiling	NV2LCHF1/UNV1	NV2LWHF1/UNV1
3/4" Ceiling	NV2LCHF2/UNV1	NV2LWHF2/UNV1
1/2" Wall	NV2LCHT1/UNV1	NV2LWHT1/UNV1
3/4" Wall	NV2LCHT2/UNV1	NV2LWHT2/UNV1
1 1/4" Stanchion	NV2LCHJ4/UNV1	NV2LWHJ4/UNV1

<sup>ⓐ</sup>Contact your local sales representative for warm white temperature ratings.

<sup>ⓑ</sup>For use in Class I, Division 2 or Class II, Division 1, Groups F, G. For Class II, you must order complete catalog number (not available for purchase in components).

<sup>ⓒ</sup>For use when wall mount or ceiling mount box is already installed.

## Temperature performance data:

Model	Max. temp. °C	Temp. rating <sup>ⓐ</sup>
V2LC/UNV1	40	T5
V2LC/UNV1 S902	55	T4A
V2LC/DC1	40	T5
NV2LC/UNV1	40	T4
NV2LC/UNV1 S902	55	T4

## Weights:

Mounting style	Lbs.	Kg.
Pendant	5.70	2.59
Ceiling	6.80	3.08
Wall	7.90	3.58
Stanchion	6.50	2.95

# Vaporgard V2L LED Luminaires

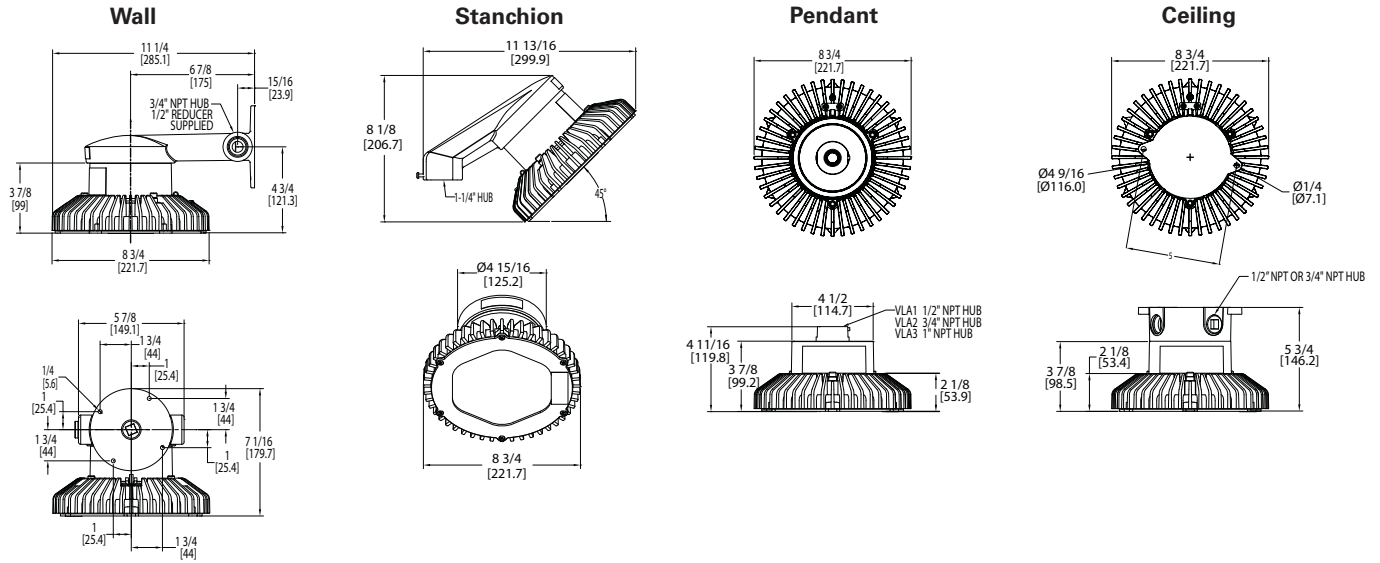
Cl. I, Div. 2, Groups A, B, C, D  
Cl. II, Div. 1, Groups F, G

UL Listed  
CSA Certified  
IECEX/ATEX  
NEMA 4X; IP66

2L

2L

## Dimensions:



## Family tree:

