

# VAPORTITE® V SERIES

ENCLOSED/GASKETED

Cat. #		Approvals
Job	Type	



### APPLICATIONS

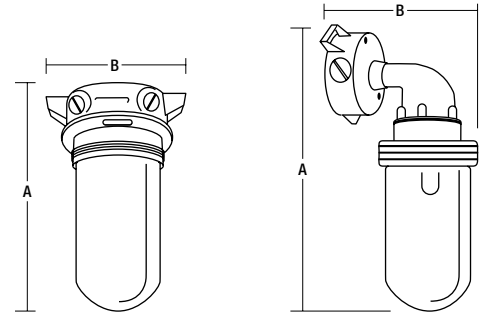
- For wet and dirty environments where enclosed/gasketed fixtures are needed.

### SPECIFICATIONS

- Cover selections include pendant, ceiling, bracket and stanchion mounting.
- Modular design permits selection of cover, body, globe, guard and reflector for custom applications.
- Threaded hubs for attachment to conduit and set screws provided in pendant covers.
- Two size housings for 150W and 300W max.
- Glass globe is standard, tempered glass globe available; clear polycarbonate limited to 75W max.; colored globes available.
- Body/Guard is copper-free (<0.4%) cast aluminum.
- Reflector is white Poly-Pro® plastic.
- Medium lamp base.
- Gray polyester powder paint.

### LISTINGS

- UL1598 listed for damp location.
- NEMA 3,4 (when used with VXFC body and tempered globe).
- UL844: Class I, Division 2, Groups A, B, C, D (VXFC only).
- Up to 40°C ambient temperature



#### 150 Series

A	B
8 <sup>9</sup> / <sub>16</sub> "	5 <sup>11</sup> / <sub>16</sub> "
217 mm	144 mm

#### 150 Series

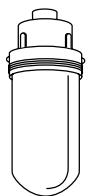
A	B
11 <sup>5</sup> / <sub>8</sub> "	6 <sup>15</sup> / <sub>16</sub> "
295 mm	176 mm

## ORDERING INFORMATION

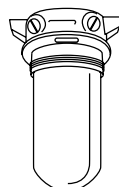
Catalog Number	Maximum Lamp Size	Hub Size	Fixture Components		
			Body <sup>2</sup>	Cover	Globe
<b>PENDANT</b>					
VP-151 <sup>1</sup>	150/A-21	1/2"	VFB-15	VP-1	VG-15
VP-152A <sup>1</sup>	150/A-21	3/4"	VFB-15	VP-2	VG-15
VP-301 <sup>1</sup>	300/PS-25	1/2"	VFB-30	VP-1	VG-30
VP-302 <sup>1</sup>	300/PS-25	3/4"	VFB-30	VP-2	VG-30
<b>CEILING OUTLET BOX</b>					
VX-151 <sup>1</sup>	150/A-21	1/2"	VFB-15	VX-1/VAP	VG-15
VX-152 <sup>1</sup>	150/A-21	3/4"	VFB-15	VX-2/VAP	VG-15
VX-301 <sup>1</sup>	300/PS-25	1/2"	VFB-30	VX-1/VAP	VG-30
VX-302	300/PS-25	3/4"	VFB-30	VX-2/VAP	VG-30
<b>CEILING PLATE</b>					
VF-151 <sup>1</sup>	150/A-21	–	VFB-15	VAP	VG-15
VF-301 <sup>1</sup>	300/PS-25	–	VFB-30	VAP	VG-30
<b>WALL ARM OUTLET BOX</b>					
VWX-151 <sup>1</sup>	150/A-21	1/2"	VFB-15	VW-1/VX-1	VG-15
VWX-152 <sup>1</sup>	150/A-21	3/4"	VFB-15	VW-1/VX-2	VG-15
VWX-301 <sup>1</sup>	300/PS-25	1/2"	VFB-30	VW-1/VX-1	VG-30
VWX-302 <sup>1</sup>	300/PS-25	3/4"	VFB-30	VW-1/VX-2	VG-30
<b>WALL ARM MOUNT</b>					
VW-151 <sup>1</sup>	150/A-21	–	VFB-15	VW-1	VG-15
VW-301 <sup>1</sup>	300/PS-25	–	VFB-30	VW-1	VG-30
<b>STANCHION MOUNT</b>					
VS-150	150/A-21	1 1/4"	VFB-15	VD-4	VG-15
VS-300	300/PS-25	1 1/4"	VFB-30	VD-4	VG-30

<sup>1</sup> CSA certified.

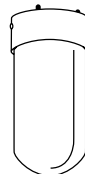
<sup>2</sup> For Class I, Division 2 and NEMA 3/4, replace VFB-15 with VXFC-100-N34 and VFB-30 with VXFC-200-N34. Order body, cover and globe as components. See T-Rating chart.



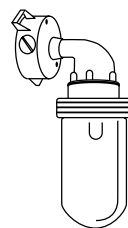
PENDANT



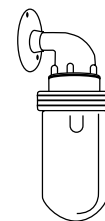
CEILING BOX



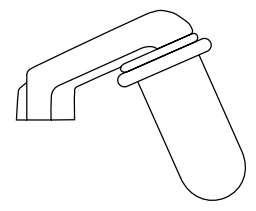
CEILING PLATE



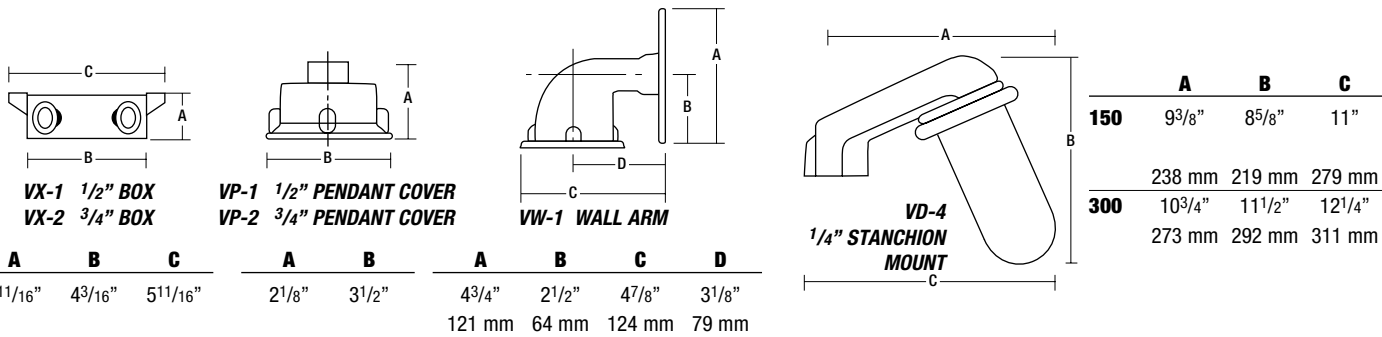
WALL ARM  
OUTLET BOX



WALL ARM  
MOUNT



STANCHION  
MOUNT



**ORDERING INFORMATION: GLOBES V/NV/NVQ**

Catalog Number	Description
<b>150 WATTS</b>	
VG-15	Clear, standard
VCGP-100	Clear, tempered
VCGPT-100	Clear, tempered w/ Tuffskin® coating
VAMG-100	Amber
VGG-100	Blue Green
VGGP-100	Blue Green, tempered
VBG-100 <sup>1</sup>	Blue
VBGP-100 <sup>1</sup>	Blue, tempered
VRG-100	Ruby
VRGP-100	Ruby, tempered
VRGP-100	Ruby
VRSG-100	Green
VPG-100	Purple
VPLCG-100 <sup>1</sup>	Polycarbonate (cannot be used with guard or in high ambient temperature locations-40°C/104°F max.) Not UL listed
<b>300 WATTS</b>	
VG-30	Clear, Standard
VCGP-200	Clear, Tempered
VAMG-200	Amber
VGG-200	Blue Green
VGGP-200	Blue Green, tempered
VBG-200	Blue
VRG-200	Ruby
VPLGC-200 <sup>2</sup>	Polycarbonate (cannot be used with guard or in high ambient temperature locations-40°C/104°F max.) Not UL listed

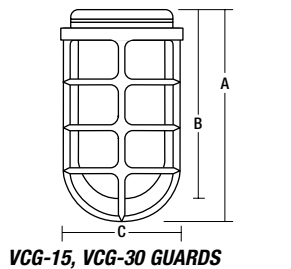
<sup>1</sup> 75W maximum.  
<sup>2</sup> 150W maximum.

**ACCESSORIES**

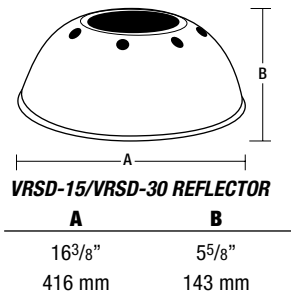
(order as separate part #)

Catalog Number	Maximum Lamp Size	Material
<b>REFLECTOR<sup>1</sup></b>		
VRSD-15	150	White Poly-Pro
VRSD-30	300	White Poly-Pro
<b>GUARDS</b>		
VCG-15	150	Cast Aluminum
VCG-30	300	Cast Aluminum
<b>SOCKET</b>		
VRME	150/300	Lamp Socket

<sup>1</sup> Not for use with VS stanchion.  
 NOTE: Angle reflector not available.  
 NOTE: Supply wire ratings: 150 series is 125°C; 300 series is 150°C.



	A	B	C
150	7 <sup>5</sup> / <sub>8</sub> "	6 <sup>7</sup> / <sub>8</sub> "	4 <sup>1</sup> / <sub>4</sub> "
	194 mm	175 mm	108 mm
300	10 <sup>5</sup> / <sub>8</sub> "	9 <sup>7</sup> / <sub>8</sub> "	5 <sup>1</sup> / <sub>2</sub> "
	270 mm	251 mm	140 mm



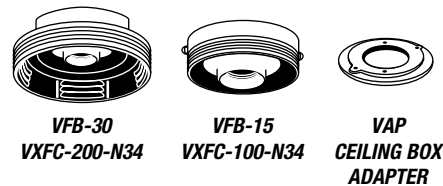
VRSD-15/VRSD-30 REFLECTOR

	A	B
150	16 <sup>3</sup> / <sub>8</sub> "	5 <sup>5</sup> / <sub>8</sub> "
	416 mm	143 mm

**GASKETS**

Catalog Number	Description
<b>150/300 WATTS</b>	
VTG	Fixture Body to splice box
VTG-S	Silicone Fixture Body to splice box
VTRG	Porcelain Lamp Socket Gasket
<b>150 WATTS</b>	
VTGG1-S	Silicone Globe Gasket
<b>300 WATTS</b>	
VTGG	Globe Gasket
VTGG2-S	Silicone Globe Gasket

**REQUIRED FOR CLASS I, DIVISION 2**



VFB-30  
VXFC-200-N34

VFB-15  
VXFC-100-N34

VAP  
CEILING BOX  
ADAPTER

**VXFC<sup>1</sup> T-RATINGS**

Fixture Type	Lamp Type	Temperature Code
150	A-19/60W	T2C
150	A-19/70W	T2D
150	A-19/100W	T2A
150	A-21/100W	T2B
150	A-21/150W	T2 colored globe
150	A-21/150W	T2 clear globe
300	A-23/200W	T2
300	PS-25/200W	T2A
300	PS-25/300W	350°C

<sup>1</sup> For Class I, Division 2 and NEMA 3/4, replace VFB-15 with VXFC-100-N34 and VFB-30 with VXFC-200-N34. Order body, cover and globe as components.  
 NOTE: Suitability based on "base up" installation.

Due to our continued efforts to improve our products, product specifications are subject to change without notice.



Hubbell Industrial Lighting • 701 Millennium Boulevard • Greenville, SC 29607 • PHONE: 864-678-1000  
 For more information visit our web site: [www.hubbell-iltg.com](http://www.hubbell-iltg.com)

Industrial Lighting

# VAPORTITE® V SERIES

ENCLOSED/GASKETED

Cat. #		Approvals
Job	Type	



### APPLICATIONS

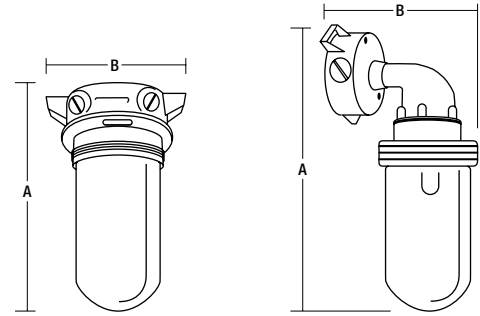
- For wet and dirty environments where enclosed/gasketed fixtures are needed.

### SPECIFICATIONS

- Cover selections include pendant, ceiling, bracket and stanchion mounting.
- Modular design permits selection of cover, body, globe, guard and reflector for custom applications.
- Threaded hubs for attachment to conduit and set screws provided in pendant covers.
- Two size housings for 150W and 300W max.
- Glass globe is standard, tempered glass globe available; clear polycarbonate limited to 75W max.; colored globes available.
- Body/Guard is copper-free (<0.4%) cast aluminum.
- Reflector is white Poly-Pro® plastic.
- Medium lamp base.
- Gray polyester powder paint.

### LISTINGS

- UL1598 listed for damp location.
- NEMA 3,4 (when used with VXFC body and tempered globe).
- UL844: Class I, Division 2, Groups A, B, C, D (VXFC only).
- Up to 40°C ambient temperature



#### 150 Series

A	B
8 <sup>9</sup> / <sub>16</sub> "	5 <sup>11</sup> / <sub>16</sub> "
217 mm	144 mm

#### 150 Series

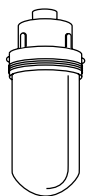
A	B
11 <sup>5</sup> / <sub>8</sub> "	6 <sup>15</sup> / <sub>16</sub> "
295 mm	176 mm

## ORDERING INFORMATION

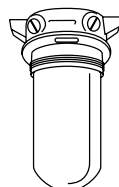
Catalog Number	Maximum Lamp Size	Hub Size	Fixture Components		
			Body <sup>2</sup>	Cover	Globe
<b>PENDANT</b>					
VP-151 <sup>1</sup>	150/A-21	1/2"	VFB-15	VP-1	VG-15
VP-152A <sup>1</sup>	150/A-21	3/4"	VFB-15	VP-2	VG-15
VP-301 <sup>1</sup>	300/PS-25	1/2"	VFB-30	VP-1	VG-30
VP-302 <sup>1</sup>	300/PS-25	3/4"	VFB-30	VP-2	VG-30
<b>CEILING OUTLET BOX</b>					
VX-151 <sup>1</sup>	150/A-21	1/2"	VFB-15	VX-1/VAP	VG-15
VX-152 <sup>1</sup>	150/A-21	3/4"	VFB-15	VX-2/VAP	VG-15
VX-301 <sup>1</sup>	300/PS-25	1/2"	VFB-30	VX-1/VAP	VG-30
VX-302	300/PS-25	3/4"	VFB-30	VX-2/VAP	VG-30
<b>CEILING PLATE</b>					
VF-151 <sup>1</sup>	150/A-21	–	VFB-15	VAP	VG-15
VF-301 <sup>1</sup>	300/PS-25	–	VFB-30	VAP	VG-30
<b>WALL ARM OUTLET BOX</b>					
VWX-151 <sup>1</sup>	150/A-21	1/2"	VFB-15	VW-1/VX-1	VG-15
VWX-152 <sup>1</sup>	150/A-21	3/4"	VFB-15	VW-1/VX-2	VG-15
VWX-301 <sup>1</sup>	300/PS-25	1/2"	VFB-30	VW-1/VX-1	VG-30
VWX-302 <sup>1</sup>	300/PS-25	3/4"	VFB-30	VW-1/VX-2	VG-30
<b>WALL ARM MOUNT</b>					
VW-151 <sup>1</sup>	150/A-21	–	VFB-15	VW-1	VG-15
VW-301 <sup>1</sup>	300/PS-25	–	VFB-30	VW-1	VG-30
<b>STANCHION MOUNT</b>					
VS-150	150/A-21	1 1/4"	VFB-15	VD-4	VG-15
VS-300	300/PS-25	1 1/4"	VFB-30	VD-4	VG-30

<sup>1</sup> CSA certified.

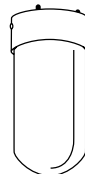
<sup>2</sup> For Class I, Division 2 and NEMA 3/4, replace VFB-15 with VXFC-100-N34 and VFB-30 with VXFC-200-N34. Order body, cover and globe as components. See T-Rating chart.



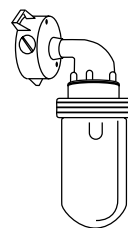
PENDANT



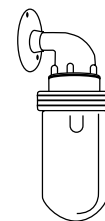
CEILING BOX



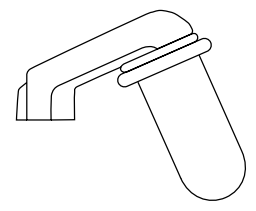
CEILING PLATE



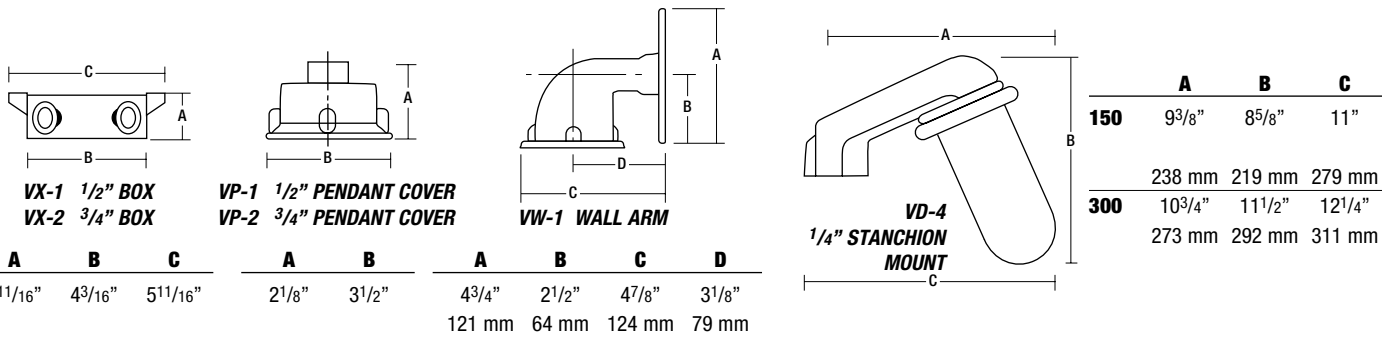
WALL ARM  
OUTLET BOX



WALL ARM  
MOUNT



STANCHION  
MOUNT



A	B	C	A	B	A	B	C	D
111/16"	43/16"	511/16"	21/8"	31/2"	43/4"	21/2"	47/8"	31/8"
43 mm	106 mm	144 mm	54 mm	89 mm	121 mm	64 mm	124 mm	79 mm

**ORDERING INFORMATION: GLOBES V/NV/NVQ**

Catalog Number	Description
<b>150 WATTS</b>	
<b>VG-15</b>	Clear, standard
<b>VCGP-100</b>	Clear, tempered
<b>VCGPT-100</b>	Clear, tempered w/ Tuffskin® coating
<b>VAMG-100</b>	Amber
<b>VGG-100</b>	Blue Green
<b>VGGP-100</b>	Blue Green, tempered
<b>VBG-100<sup>1</sup></b>	Blue
<b>VBGP-100<sup>1</sup></b>	Blue, tempered
<b>VRG-100</b>	Ruby
<b>VRGP-100</b>	Ruby, tempered
<b>VRGP-100</b>	Ruby
<b>VRSG-100</b>	Green
<b>VPG-100</b>	Purple
<b>VPLCG-100<sup>1</sup></b>	Polycarbonate (cannot be used with guard or in high ambient temperature locations-40°C/104°F max.) Not UL listed
<b>300 WATTS</b>	
<b>VG-30</b>	Clear, Standard
<b>VCGP-200</b>	Clear, Tempered
<b>VAMG-200</b>	Amber
<b>VGG-200</b>	Blue Green
<b>VGGP-200</b>	Blue Green, tempered
<b>VBG-200</b>	Blue
<b>VRG-200</b>	Ruby
<b>VPLGC-200<sup>2</sup></b>	Polycarbonate (cannot be used with guard or in high ambient temperature locations-40°C/104°F max.) Not UL listed

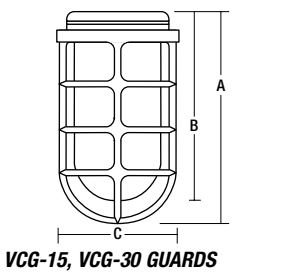
<sup>1</sup> 75W maximum.  
<sup>2</sup> 150W maximum.

**ACCESSORIES**

(order as separate part #)

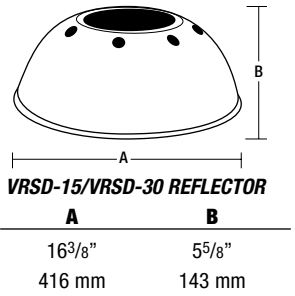
Catalog Number	Maximum Lamp Size	Material
<b>REFLECTOR<sup>1</sup></b>		
<b>VRSD-15</b>	150	White Poly-Pro
<b>VRSD-30</b>	300	White Poly-Pro
<b>GUARDS</b>		
<b>VCG-15</b>	150	Cast Aluminum
<b>VCG-30</b>	300	Cast Aluminum
<b>SOCKET</b>		
<b>VRME</b>	150/300	Lamp Socket

<sup>1</sup> Not for use with VS stanchion.  
NOTE: Angle reflector not available.  
NOTE: Supply wire ratings: 150 series is 125°C; 300 series is 150°C.



**VCG-15, VCG-30 GUARDS**

	A	B	C
<b>150</b>	7 <sup>5</sup> / <sub>8</sub> "	6 <sup>7</sup> / <sub>8</sub> "	4 <sup>1</sup> / <sub>4</sub> "
	194 mm	175 mm	108 mm
<b>300</b>	10 <sup>5</sup> / <sub>8</sub> "	9 <sup>7</sup> / <sub>8</sub> "	5 <sup>1</sup> / <sub>2</sub> "
	270 mm	251 mm	140 mm



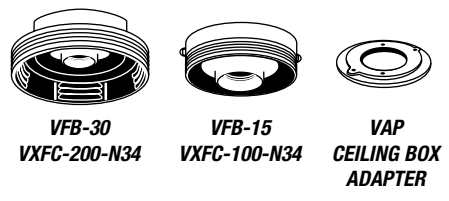
**VRSD-15/VRSD-30 REFLECTOR**

A	B
16 <sup>3</sup> / <sub>8</sub> "	5 <sup>5</sup> / <sub>8</sub> "
416 mm	143 mm

**GASKETS**

Catalog Number	Description
<b>150/300 WATTS</b>	
<b>VTG</b>	Fixture Body to splice box
<b>VTG-S</b>	Silicone Fixture Body to splice box
<b>VTRG</b>	Porcelain Lamp Socket Gasket
<b>150 WATTS</b>	
<b>VTGG1-S</b>	Silicone Globe Gasket
<b>300 WATTS</b>	
<b>VTGG</b>	Globe Gasket
<b>VTGG2-S</b>	Silicone Globe Gasket

**REQUIRED FOR CLASS I, DIVISION 2**



**VFB-30**      **VFB-15**      **VAP**  
**VXFC-200-N34**      **VXFC-100-N34**      **CEILING BOX ADAPTER**

**VXFC<sup>1</sup> T-RATINGS**

Fixture Type	Lamp Type	Temperature Code
150	A-19/60W	T2C
150	A-19/70W	T2D
150	A-19/100W	T2A
150	A-21/100W	T2B
150	A-21/150W	T2 colored globe
150	A-21/150W	T2 clear globe
300	A-23/200W	T2
300	PS-25/200W	T2A
300	PS-25/300W	350°C

<sup>1</sup> For Class I, Division 2 and NEMA 3/4, replace **VFB-15** with **VXFC-100-N34** and **VFB-30** with **VXFC-200-N34**. Order body, cover and globe as components.  
NOTE: Suitability based on "base up" installation.

Due to our continued efforts to improve our products, product specifications are subject to change without notice.



Hubbell Industrial Lighting • 701 Millennium Boulevard • Greenville, SC 29607 • PHONE: 864-678-1000  
For more information visit our web site: [www.hubbell-iltg.com](http://www.hubbell-iltg.com)