

Plug

Connector

- 30 Amp 600VAC/250VDC; 50-400 Hertz NEMA 3, 4, 4X[Ⓢ]
- **PLUGS ONLY**[Ⓢ]:
Class I, Div. 1 & 2, Groups B,C,D; NEMA 7 B,C,D
Class I, Zones 1 & 2, IIB+H₂, IIA
Class II, Div. 1 & 2, Groups F & G; NEMA 9 F,G; Class III

Wire Range

Regular Stranding: #10 - #6

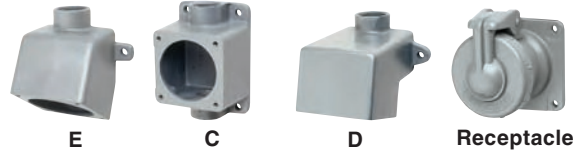
Extra flex: #10 - #8



File No. E10757



Certified File No. LR111846



E

C

D

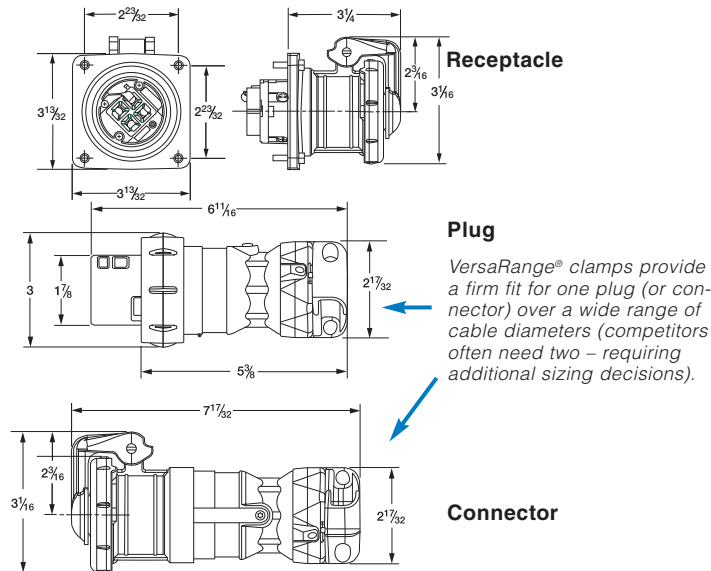
Receptacle

FEATURES-SPECIFICATIONS

| 30 AMP PLUGS & CONNECTORS | | | | |
|---------------------------|---------|---------------|----------------|-----------|
| GROUND STYLE | CIRCUIT | GROMMET RANGE | CATALOG NUMBER | |
| | | | PLUG | CONNECTOR |
| Style I | 2W2P | .55 - 1.20 IN | VP3275 | VPR3255 |
| | 3W3P | .55 - 1.20 IN | VP3375 | VPR3355 |
| | 4W4P | .55 - 1.20 IN | VP3475 | VPR3455 |
| Style II | 2W3P | .55 - 1.20 IN | VP3385 | VPR3365 |
| | 3W4P | .55 - 1.20 IN | VP3485 | VPR3465 |

| MODIFICATIONS* | |
|----------------|---|
| CATALOG NUMBER | DESCRIPTION |
| S39 | Reverse service for receptacles, plugs & connectors |
| S37 | Polarization for receptacles, plugs & connectors |

*See page PR5 for more information on these options.



① Components are intermateable & UL classified with other UL1686 configured devices (when installed in accordance with instructions furnished with device). Assemblies containing components from other manufacturers would have the NEMA type rating of the lowest rated device.

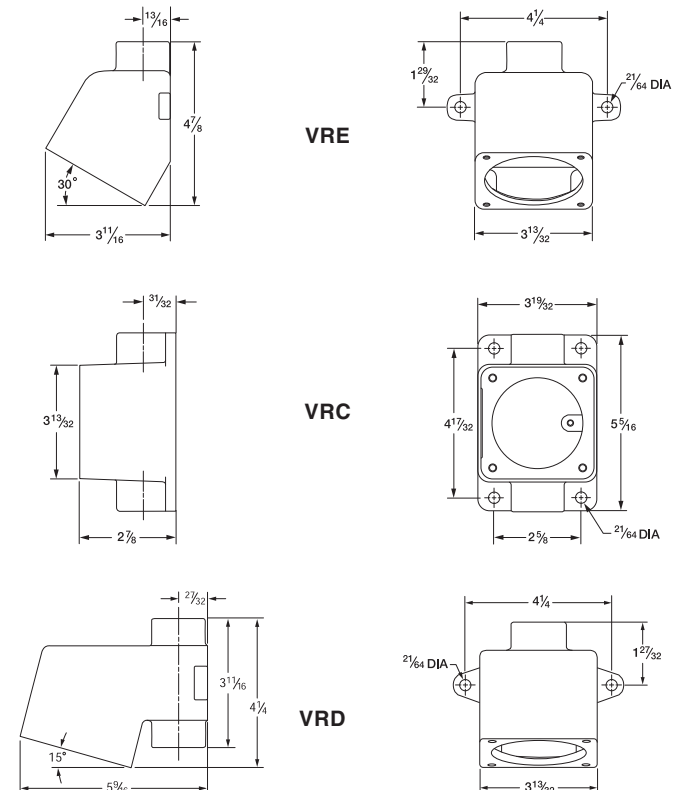
② Plugs are hazardous suitable when mated with properly rated receptacles configured to use UL1686 type plugs, such as VersaMate VSQ/VBQ.
- Note, 2, 3 & 4 pole device dimensions are the same.

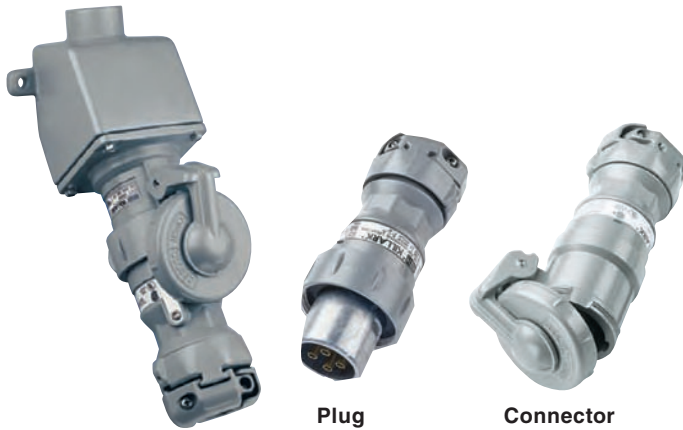


| 30 AMP RECEPTACLES & BACK BOXES | | | | | |
|---------------------------------|---------|---------------------|---------------------|---------------------|-----------------|
| GROUND STYLE | CIRCUIT | CATALOG NUMBER | | | |
| | | E [Ⓢ] TYPE | C [Ⓢ] TYPE | D [Ⓢ] TYPE | RECEPTACLE ONLY |
| Style I | 2W2P | VR321E2 | VR321C2 | VR321D2 | VR321 |
| | 3W3P | VR331E2 | VR331C2 | VR331D2 | VR331 |
| | 4W4P | VR341E2 | VR341C2 | VR341D2 | VR341 |
| Style II | 2W3P | VR332E2 | VR332C2 | VR332D2 | VR332 |
| | 3W4P | VR342E2 | VR342C2 | VR342D2 | VR342 |
| Splice box only [Ⓢ] | | VRE23 | VRC23 | VRD23 | - |

Ⓢ 30 Amp Back Boxes are available in 1/2", 3/4" and 1" conduit sizes. Size listed for 3/4". For other available sizes, change the BOLD "2" in either the assembly or box only number to: **1**=1/2", **2**=3/4", **3**=1". Assembly catalog numbers are listed for ease of ordering or specification and devices are shipped as components.

Back Box Dimensions





Plug

Connector

- 30 Amp 600VAC/250VDC; 50-400 Hertz NEMA 3, 4, 4X[Ⓢ]
- **PLUGS ONLY**[Ⓢ]:
Class I, Div. 1 & 2, Groups B,C,D; NEMA 7 B,C,D
Class I, Zones 1 & 2, IIB+H₂, IIA
Class II, Div. 1 & 2, Groups F & G; NEMA 9 F,G; Class III

Wire Range

Regular Stranding: #10 - #6

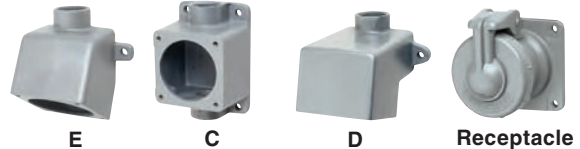
Extra flex: #10 - #8



File No. E10757



Certified File No. LR111846



E

C

D

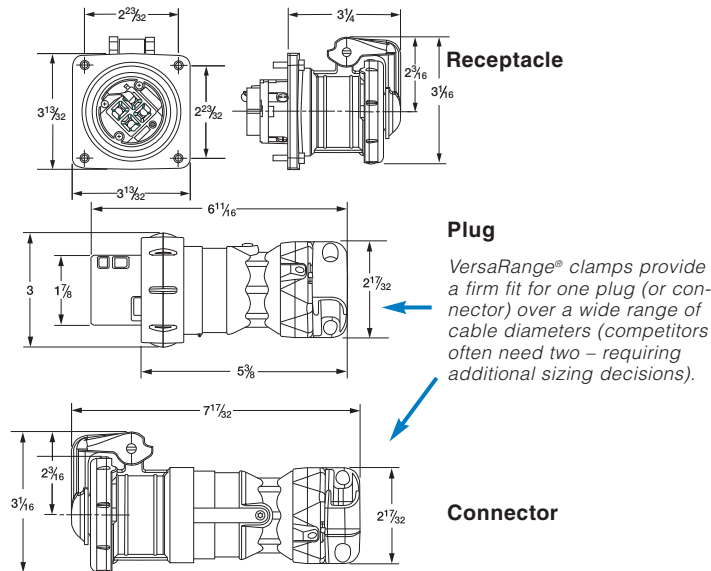
Receptacle

FEATURES-SPECIFICATIONS

| 30 AMP PLUGS & CONNECTORS | | | | |
|---------------------------|---------|---------------|----------------|-----------|
| GROUND STYLE | CIRCUIT | GROMMET RANGE | CATALOG NUMBER | |
| | | | PLUG | CONNECTOR |
| Style I | 2W2P | .55 - 1.20 IN | VP3275 | VPR3255 |
| | 3W3P | .55 - 1.20 IN | VP3375 | VPR3355 |
| | 4W4P | .55 - 1.20 IN | VP3475 | VPR3455 |
| Style II | 2W3P | .55 - 1.20 IN | VP3385 | VPR3365 |
| | 3W4P | .55 - 1.20 IN | VP3485 | VPR3465 |

| MODIFICATIONS* | |
|----------------|---|
| CATALOG NUMBER | DESCRIPTION |
| S39 | Reverse service for receptacles, plugs & connectors |
| S37 | Polarization for receptacles, plugs & connectors |

*See page PR5 for more information on these options.



① Components are intermateable & UL classified with other UL1686 configured devices (when installed in accordance with instructions furnished with device). Assemblies containing components from other manufacturers would have the NEMA type rating of the lowest rated device.

② Plugs are hazardous suitable when mated with properly rated receptacles configured to use UL1686 type plugs, such as VersaMate VSQ/VBQ.
- Note, 2, 3 & 4 pole device dimensions are the same.

| 30 AMP RECEPTACLES & BACK BOXES | | | | | |
|---------------------------------|---------|---------------------|---------------------|---------------------|-----------------|
| GROUND STYLE | CIRCUIT | CATALOG NUMBER | | | |
| | | E [Ⓢ] TYPE | C [Ⓢ] TYPE | D [Ⓢ] TYPE | RECEPTACLE ONLY |
| Style I | 2W2P | VR321E2 | VR321C2 | VR321D2 | VR321 |
| | 3W3P | VR331E2 | VR331C2 | VR331D2 | VR331 |
| | 4W4P | VR341E2 | VR341C2 | VR341D2 | VR341 |
| Style II | 2W3P | VR332E2 | VR332C2 | VR332D2 | VR332 |
| | 3W4P | VR342E2 | VR342C2 | VR342D2 | VR342 |
| Splice box only [Ⓢ] | | VRE23 | VRC23 | VRD23 | - |

Ⓢ 30 Amp Back Boxes are available in 1/2", 3/4" and 1" conduit sizes. Size listed for 3/4". For other available sizes, change the BOLD "2" in either the assembly or box only number to: **1**=1/2", **2**=3/4", **3**=1". Assembly catalog numbers are listed for ease of ordering or specification and devices are shipped as components.

Back Box Dimensions

