



# LED Traditional Wallpack

Premium & Standard Series

The ASD-WLP01 series offers a traditional outlook, but with the efficiency only LEDs can deliver. Delivering up to 16,125 lumens these can replace up to 400 watt metal halide units. Glare shields and photocells are also available to meet any building codes and specs. We also offer a 5 year warranty with 75,000 hour L-70 Life. These lights are perfect for retrofit or new construction applications in industrial, warehouse, manufacturing, and commercial properties. More features and benefits are listed below.

## FEATURES AND BENEFITS:

- ▶ Easy to install, wire and mount
- ▶ Replaces up to 400 Watt Metal Halide
- ▶ Borosilicate prismatic glass Lens
- ▶ Dusk to down photocell available (optional)
- ▶ Glare shield available (optional)
- ▶ No maintenance
- ▶ Operating temperature of -40°F to 104°F
- ▶ Wet location IP65
- ▶ L-70 Life > 75,000 hrs
- ▶ cULus certified
- ▶ 5 Year warranty

Catalog number	
Notes	
Type	



## PRODUCT LEGEND:

Family	Modification	Watts	Dimmable	CCT	Option	Series
ASD-WLP	01	XX	X	XX	XX	XXX
LED Traditional Wallpack		30 = 30 W	N = Non-dimmable	50 = 5,000 K	PC = Photocell	PRM = Premium
		50 = 50 W	D = Dimmable		Blank = No photocell	Blank = Standard
		80 = 80 W				
		120 = 120 W				

## LED TRADITIONAL WALLPACK:

Model	Watts	Dimming	Option	CCT	Lumens	Dimensions (LxWxH)	DLC
ASD-WLP01-50N50	50 W	No	-	5,000 K	5,969 lm	14 1/8" x 9 1/4" x 7 1/2"	Standard
ASD-WLP01-50N50-PC	50 W	No	Photocell	5,000 K	5,969 lm	14 1/8" x 9 1/4" x 7 1/2"	Standard
ASD-WLP01-30N50-PRM	30 W	No	-	5,000 K	4,132 lm	9 1/2" x 9" x 10 1/4"	Premium
ASD-WLP01-50N50-PRM	50 W	No	-	5,000 K	6,931 lm	14 1/8" x 9 1/4" x 7 1/2"	Premium
ASD-WLP01-80D50-PRM	80 W	Yes	-	5,000 K	11,144 lm	14 1/8" x 9 1/4" x 7 1/2"	Premium
ASD-WLP01-120D50-PRM	120 W	Yes	-	5,000 K	16,125 lm	18 1/2" x 9 1/16" x 9 3/8"	Premium

## ORDERING INFORMATION:

Model	Individual Box Size	Individual Box Weight	UPC	Pcs in one Carton	Carton Size	Carton Weight	GTIN 14 for Carton
ASD-WLP01-50N50	15.4" x 9.1" x 11.6"	8.4 lbs	819201024414	4	20.9"x20.9"x12"	24.5 lbs	10819201027085
ASD-WLP01-50N50-PC	15.4" x 9.1" x 11.6"	8.51 lbs	819201021499	-	-	-	-
ASD-WLP01-30N50-PRM	10.6" x 9.8" x 10.7"	5.9 lbs	819201027088	-	-	-	-
ASD-WLP01-50N50-PRM	15.4" x 9.1" x 11.6"	8.4 lbs	810050730174	-	-	-	-
ASD-WLP01-80D50-PRM	15.4" x 9.1" x 11.6"	9.9 lbs	819201027071	-	-	-	-
ASD-WLP01-120D50-PRM	20.1" x 11.4" x 12.2"	17.2 lbs	819201028504	-	-	-	-
Accessories model	Name	Materials	Weight	Dimensions	UPC		
ASD-WLP01-02-PC	Photocell for LED Wallpack	Plastic	0.08 lb (0.04 kg)	2 1/8" x 1 1/8" x 1 5/8"	819201024445		
ASD-SWLP01-50/80	Glare Shield for LED Wallpack WLP01	Aluminum	0.83 lb (0.375 kg)	12 3/4" x 9 1/2" x 10 1/8"	857622006879		
Accessories model	Pcs in one Carton	Carton Size	Carton Weight	GTIN 14 for Carton			
ASD-WLP01-02-PC	200	14.17" x 11.02" x 16.93"	28.66 lb	10819201024442			
ASD-SWLP01-50/80	8	14.37" x 13.58" x 13.58"	8.16 lb	10857622006876			

For most up-to-date spec sheets please refer to [asd-lighting.com](http://asd-lighting.com)

ASD LIGHTING CORP

E-mail: [orders@asd-lighting.com](mailto:orders@asd-lighting.com) | Web site: [www.asd-lighting.com](http://www.asd-lighting.com)





# LED Traditional Wallpack

Premium & Standard Series

## PRODUCT SPECIFICATIONS:

Construction & Materials						
Lens	Glass					
Housing	Die-Casting Aluminum					
Finish	Bronze					
Weight	ASD-WLP01-50N50	6.8 lb (3.1 kg)	ASD-WLP01-30N50-PRM	4.9 lb (2.2 kg)	ASD-WLP01-80D50-PRM	8.4 lb (3.8 kg)
	ASD-WLP01-50N50-PC	7.14 lb (3.2 kg)	ASD-WLP01-50N50-PRM	7.1 lb (3.2 kg)	ASD-WLP01-120D50-PRM	15.9 lb (7.2 kg)
Environmental System						
Work Environment	Suitable for Wet Locations, IP65					
Operating Temperature	-40°F to 104°F (-40°C to 40°C)					
L-70 Life	> 75,000 hrs					
Optical System						
Luminous Flux	ASD-WLP01-50N50	5,969 lm	ASD-WLP01-30N50-PRM	4,132 lm	ASD-WLP01-80D50-PRM	11,144 lm
	ASD-WLP01-50N50-PC		ASD-WLP01-50N50-PRM	6,931 lm	ASD-WLP01-120D50-PRM	16,125 lm
Color Temperature	5,000 K					
CRI	ASD-WLP01-50N50	>70	ASD-WLP01-30N50-PRM	>80	ASD-WLP01-80D50-PRM	>80
	ASD-WLP01-50N50-PC		ASD-WLP01-50N50-PRM		ASD-WLP01-120D50-PRM	
Electrical System						
Input Voltage	100-277V AC 50/60 Hz					
Max input current	ASD-WLP01-50N50	0.52 A	ASD-WLP01-30N50-PRM	0.35 A	ASD-WLP01-80D50-PRM	1 A
	ASD-WLP01-50N50-PC		ASD-WLP01-50N50-PRM	0.55 A	ASD-WLP01-120D50-PRM	1.4 A
Inrush current	ASD-WLP01-50N50	20 A	ASD-WLP01-30N50-PRM	20 A	ASD-WLP01-80D50-PRM	30 A
	ASD-WLP01-50N50-PC		ASD-WLP01-50N50-PRM			
Action time (Inrush current)	ASD-WLP01-50N50	0.1 S	ASD-WLP01-30N50-PRM	0.1 S	ASD-WLP01-80D50-PRM	0.1 S
	ASD-WLP01-50N50-PC	600 mS	ASD-WLP01-50N50-PRM		ASD-WLP01-120D50-PRM	
AC input range	ASD-WLP01-50N50	min 100V max 277V	ASD-WLP01-30N50-PRM	min 100V max 277V	ASD-WLP01-80D50-PRM	min 100V max 277V
	ASD-WLP01-50N50-PC		ASD-WLP01-50N50-PRM		ASD-WLP01-120D50-PRM	
Off State Power	0 W					
Power Consumption	ASD-WLP01-50N50	50 W	ASD-WLP01-30N50-PRM	30 W	ASD-WLP01-80D50-PRM	80 W
	ASD-WLP01-50N50-PC		ASD-WLP01-50N50-PRM	50 W	ASD-WLP01-120D50-PRM	120 W
Power Factor	≥ 0.9					
Output voltage	ASD-WLP01-50N50	40-66 V	ASD-WLP01-30N50-PRM	36-60 V	ASD-WLP01-80D50-PRM	75-125 V
	ASD-WLP01-50N50-PC		ASD-WLP01-50N50-PRM	40-66 V	ASD-WLP01-120D50-PRM	75-125 V
Max output current	ASD-WLP01-50N50	750 mA	ASD-WLP01-30N50-PRM	500 mA	ASD-WLP01-80D50-PRM	640 mA
	ASD-WLP01-50N50-PC		ASD-WLP01-50N50-PRM	750 mA	ASD-WLP01-120D50-PRM	960 mA
LED Driver Class	ASD-WLP01-50N50	Class B	ASD-WLP01-30N50-PRM	Class B	ASD-WLP01-80D50-PRM	Class B
	ASD-WLP01-50N50-PC	No	ASD-WLP01-50N50-PRM		ASD-WLP01-120D50-PRM	

The LED Wallpack is designed to install as a surface mounted luminaire.

Dimming compatible controls			
Leviton	DS710	IP710	
Lutron	NTSTV-DV	NFTV	DVTV-WH
Legrand	H4FBL3PW		

Warranty & Certifications	
5-year limited warranty	
DesignLights Consortium (DLC) listed (Classification: Standard and Premium)	
Main: Outdoor Luminaires;	
General Application: High Output;	
Primary Use: Outdoor Non-Cutoff and Semi-Cutoff Wall-Mounted Area Luminaires	
cULus certified	E473804

## PACKAGE CONTENTS:

Description	Q-ty
LED Traditional Wallpack	1
Box	1
Installation Instructions	3

## ACCESSORIES (sold separately):

This light includes an optional Photocell which activates the light during low illumination (At Dusk) and de-activates the light when illuminated (At Dawn).

Photocell for LED Traditional Wallpack		
Model	ASD-WLP01-02-PC	
Operate Level	10-20 Lx	ON
	30-80 Lx	OFF
Glare Shield for LED Traditional Wallpack WLP01 50-80W		
Model	ASD-SWLP01-50/80	
Material	Aluminum	
Finish	Bronze	
Dimensions (LxWxH)	12 3/4" x 9 1/2" x 10 1/8"	

For most up-to-date spec sheets please refer to [asd-lighting.com](http://asd-lighting.com)

ASD LIGHTING CORP

E-mail: [orders@asd-lighting.com](mailto:orders@asd-lighting.com) | Web site: [www.asd-lighting.com](http://www.asd-lighting.com)





# LED Traditional Wallpack

Premium & Standard Series

## INSTALLATION GUIDE

### IMPORTANT SAFETY INFORMATION:

Please read all the instructions below before installation.

- ▶ Make sure that the supply voltage corresponds to the rated product voltage.
- ▶ The product must be installed by a qualified electrician in accordance with the National Electrical Code and corresponding local codes.
- ▶ If the product is damaged, do not use it.

### ⚠ WARNING

**RISK OF PERSONAL INJURY – READ and follow all WARNINGS and installation instructions.**

Keep or give to the owner for future reference.

**Risk of cuts:** Wear gloves to prevent cuts or abrasions when removing from carton, handling, installing, and maintaining this product.

**Risk of electric shock:** This product must be installed in accordance with the applicable installation code by a person familiar with the construction and operation of the product and the hazards involved.

**Risk of Fire:** Minimum 194°F supply conductors. Consult a qualified electrician to ensure correct branch circuit conductor.

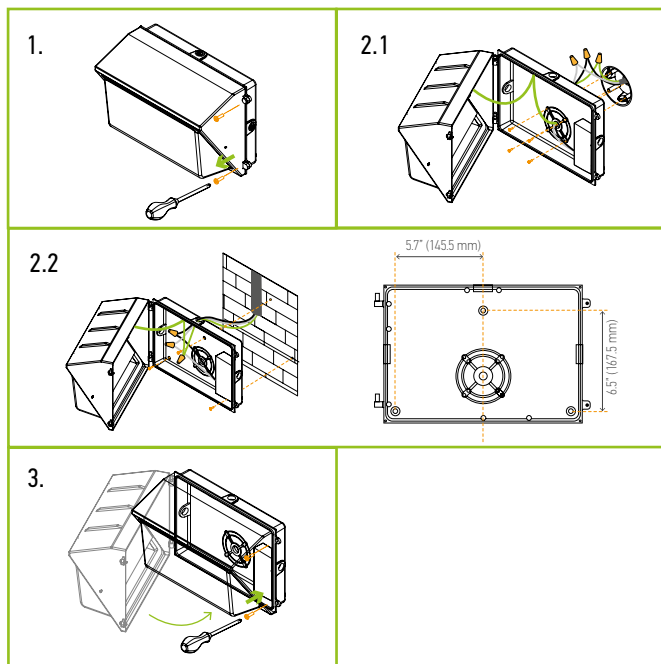
ASD® assumes no responsibility for claims arising out of improper or careless installation or handling of this product.

### INSTALLATION STEPS:

1. Use a screwdriver to loosen (2) screws securing fixture door and open it.
2. Can be mounted to a junction box (see 2.1) or directly to a wall (see 2.2).
3. Carefully drill holes through castings to avoid damaging the driver, wires and quick connectors. Hang the fixture on the back plate. Connect wires into wiring terminal; white wire to "Neutral" terminal, black wire to "Live" terminal, green wire to "Ground" terminal; and fix them with screws.

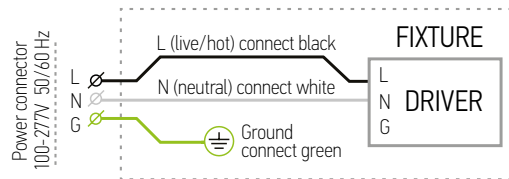
Replace one of the side caps pointed in the picture, insert power cord into the fixture and connect the wires as shown. Refer to size of the diagram to bore the holes in the wall.

Close fixture and tighten 2 screws removed in installation step 1.

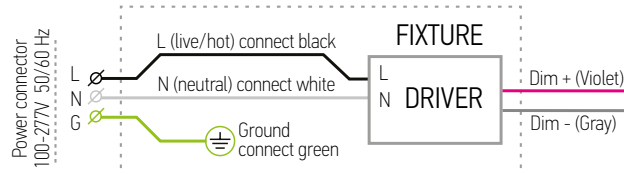


### ELECTRICAL SCHEMATIC DIAGRAM:

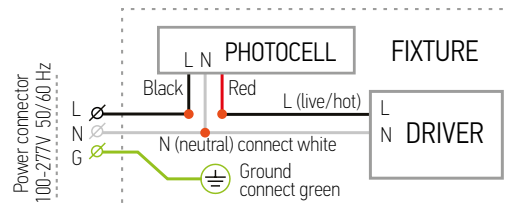
#### Non-dimmable



#### Dimmable



#### With Photocell

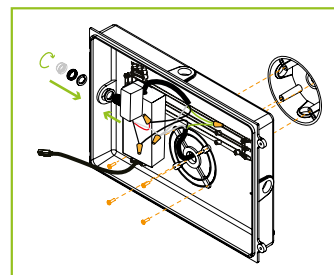


### PHOTOCELL INSTALLATION:

Take out one of the knockout caps, place the first O-ring on PC thread, install the photocell into the receptacle base.

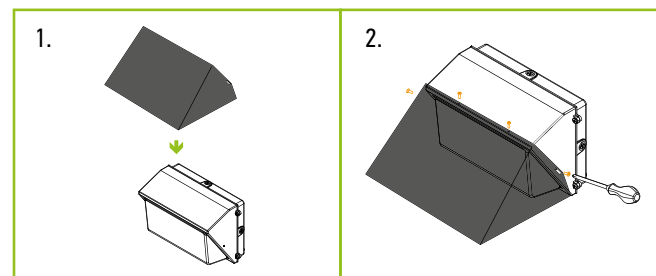
Place the second O-ring, screw the plastic nut, and tighten the transparent cap on PC thread at the outer side of the fixture.

Connect all the photocell wires according to PHOTOCELL ELECTRICAL SCHEMATIC DIAGRAM.



### ASSEMBLING FIXTURE WITH OPTIONAL SHIELD:

1. Install the shield
2. Tighten the screws



For most up-to-date spec sheets please refer to [asd-lighting.com](http://asd-lighting.com)



# LED Traditional Wallpack

Premium & Standard Series

The ASD-WLP01 series offers a traditional outlook, but with the efficiency only LEDs can deliver. Delivering up to 16,125 lumens these can replace up to 400 watt metal halide units. Glare shields and photocells are also available to meet any building codes and specs. We also offer a 5 year warranty with 75,000 hour L-70 Life. These lights are perfect for retrofit or new construction applications in industrial, warehouse, manufacturing, and commercial properties. More features and benefits are listed below.

## FEATURES AND BENEFITS:

- ▶ Easy to install, wire and mount
- ▶ Replaces up to 400 Watt Metal Halide
- ▶ Borosilicate prismatic glass Lens
- ▶ Dusk to down photocell available (optional)
- ▶ Glare shield available (optional)
- ▶ No maintenance
- ▶ Operating temperature of -40°F to 104°F
- ▶ Wet location IP65
- ▶ L-70 Life > 75,000 hrs
- ▶ cULus certified
- ▶ 5 Year warranty

Catalog number	
Notes	
Type	



## PRODUCT LEGEND:

Family	Modification	Watts	Dimmable	CCT	Option	Series
ASD-WLP	01	XX	X	XX	XX	XXX
LED Traditional Wallpack		30 = 30 W	N = Non-dimmable	50 = 5,000 K	PC = Photocell	PRM = Premium
		50 = 50 W	D = Dimmable		Blank = No photocell	Blank = Standard
		80 = 80 W				
		120 = 120 W				

## LED TRADITIONAL WALLPACK:

Model	Watts	Dimming	Option	CCT	Lumens	Dimensions (LxWxH)	DLC
ASD-WLP01-50N50	50 W	No	-	5,000 K	5,969 lm	14 1/8" x 9 1/4" x 7 1/2"	Standard
ASD-WLP01-50N50-PC	50 W	No	Photocell	5,000 K	5,969 lm	14 1/8" x 9 1/4" x 7 1/2"	Standard
ASD-WLP01-30N50-PRM	30 W	No	-	5,000 K	4,132 lm	9 1/2" x 9" x 10 1/4"	Premium
ASD-WLP01-50N50-PRM	50 W	No	-	5,000 K	6,931 lm	14 1/8" x 9 1/4" x 7 1/2"	Premium
ASD-WLP01-80D50-PRM	80 W	Yes	-	5,000 K	11,144 lm	14 1/8" x 9 1/4" x 7 1/2"	Premium
ASD-WLP01-120D50-PRM	120 W	Yes	-	5,000 K	16,125 lm	18 1/2" x 9 1/16" x 9 3/8"	Premium

## ORDERING INFORMATION:

Model	Individual Box Size	Individual Box Weight	UPC	Pcs in one Carton	Carton Size	Carton Weight	GTIN 14 for Carton
ASD-WLP01-50N50	15.4" x 9.1" x 11.6"	8.4 lbs	819201024414	4	20.9"x20.9"x12"	24.5 lbs	10819201027085
ASD-WLP01-50N50-PC	15.4" x 9.1" x 11.6"	8.51 lbs	819201021499	-	-	-	-
ASD-WLP01-30N50-PRM	10.6" x 9.8" x 10.7"	5.9 lbs	819201027088	-	-	-	-
ASD-WLP01-50N50-PRM	15.4" x 9.1" x 11.6"	8.4 lbs	810050730174	-	-	-	-
ASD-WLP01-80D50-PRM	15.4" x 9.1" x 11.6"	9.9 lbs	819201027071	-	-	-	-
ASD-WLP01-120D50-PRM	20.1" x 11.4" x 12.2"	17.2 lbs	819201028504	-	-	-	-
Accessories model	Name	Materials	Weight	Dimensions	UPC		
ASD-WLP01-02-PC	Photocell for LED Wallpack	Plastic	0.08 lb (0.04 kg)	2 1/8" x 1 1/8" x 1 5/8"	819201024445		
ASD-SWLP01-50/80	Glare Shield for LED Wallpack WLP01	Aluminum	0.83 lb (0.375 kg)	12 3/4" x 9 1/2" x 10 1/8"	857622006879		
Accessories model	Pcs in one Carton	Carton Size	Carton Weight	GTIN 14 for Carton			
ASD-WLP01-02-PC	200	14.17" x 11.02" x 16.93"	28.66 lb	10819201024442			
ASD-SWLP01-50/80	8	14.37" x 13.58" x 13.58"	8.16 lb	10857622006876			

For most up-to-date spec sheets please refer to [asd-lighting.com](http://asd-lighting.com)

ASD LIGHTING CORP

E-mail: [orders@asd-lighting.com](mailto:orders@asd-lighting.com) | Web site: [www.asd-lighting.com](http://www.asd-lighting.com)





# LED Traditional Wallpack

Premium & Standard Series

## PRODUCT SPECIFICATIONS:

Construction & Materials						
Lens	Glass					
Housing	Die-Casting Aluminum					
Finish	Bronze					
Weight	ASD-WLP01-50N50	6.8 lb (3.1 kg)	ASD-WLP01-30N50-PRM	4.9 lb (2.2 kg)	ASD-WLP01-80D50-PRM	8.4 lb (3.8 kg)
	ASD-WLP01-50N50-PC	7.14 lb (3.2 kg)	ASD-WLP01-50N50-PRM	7.1 lb (3.2 kg)	ASD-WLP01-120D50-PRM	15.9 lb (7.2 kg)
Environmental System						
Work Environment	Suitable for Wet Locations, IP65					
Operating Temperature	-40°F to 104°F (-40°C to 40°C)					
L-70 Life	> 75,000 hrs					
Optical System						
Luminous Flux	ASD-WLP01-50N50	5,969 lm	ASD-WLP01-30N50-PRM	4,132 lm	ASD-WLP01-80D50-PRM	11,144 lm
	ASD-WLP01-50N50-PC		ASD-WLP01-50N50-PRM	6,931 lm	ASD-WLP01-120D50-PRM	16,125 lm
Color Temperature	5,000 K					
CRI	ASD-WLP01-50N50	>70	ASD-WLP01-30N50-PRM	>80	ASD-WLP01-80D50-PRM	>80
	ASD-WLP01-50N50-PC		ASD-WLP01-50N50-PRM		ASD-WLP01-120D50-PRM	
Electrical System						
Input Voltage	100-277V AC 50/60 Hz					
Max input current	ASD-WLP01-50N50	0.52 A	ASD-WLP01-30N50-PRM	0.35 A	ASD-WLP01-80D50-PRM	1 A
	ASD-WLP01-50N50-PC		ASD-WLP01-50N50-PRM	0.55 A	ASD-WLP01-120D50-PRM	1.4 A
Inrush current	ASD-WLP01-50N50	20 A	ASD-WLP01-30N50-PRM	20 A	ASD-WLP01-80D50-PRM	30 A
	ASD-WLP01-50N50-PC		ASD-WLP01-50N50-PRM			
Action time (Inrush current)	ASD-WLP01-50N50	0.1 S	ASD-WLP01-30N50-PRM	0.1 S	ASD-WLP01-80D50-PRM	0.1 S
	ASD-WLP01-50N50-PC		ASD-WLP01-50N50-PRM		ASD-WLP01-120D50-PRM	
AC input range	ASD-WLP01-50N50	min 100V max 277V	ASD-WLP01-30N50-PRM	min 100V max 277V	ASD-WLP01-80D50-PRM	min 100V max 277V
	ASD-WLP01-50N50-PC		ASD-WLP01-50N50-PRM		ASD-WLP01-120D50-PRM	
Off State Power	0 W					
Power Consumption	ASD-WLP01-50N50	50 W	ASD-WLP01-30N50-PRM	30 W	ASD-WLP01-80D50-PRM	80 W
	ASD-WLP01-50N50-PC		ASD-WLP01-50N50-PRM	50 W	ASD-WLP01-120D50-PRM	120 W
Power Factor	≥ 0.9					
Output voltage	ASD-WLP01-50N50	40-66 V	ASD-WLP01-30N50-PRM	36-60 V	ASD-WLP01-80D50-PRM	75-125 V
	ASD-WLP01-50N50-PC		ASD-WLP01-50N50-PRM	40-66 V	ASD-WLP01-120D50-PRM	75-125 V
Max output current	ASD-WLP01-50N50	750 mA	ASD-WLP01-30N50-PRM	500 mA	ASD-WLP01-80D50-PRM	640 mA
	ASD-WLP01-50N50-PC		ASD-WLP01-50N50-PRM	750 mA	ASD-WLP01-120D50-PRM	960 mA
LED Driver Class	ASD-WLP01-50N50	Class B	ASD-WLP01-30N50-PRM	Class B	ASD-WLP01-80D50-PRM	Class B
	ASD-WLP01-50N50-PC	No	ASD-WLP01-50N50-PRM		ASD-WLP01-120D50-PRM	

The LED Wallpack is designed to install as a surface mounted luminaire.

Dimming compatible controls			
Leviton	DS710	IP710	
Lutron	NTSTV-DV	NFTV	DVTV-WH
Legrand	H4FBL3PW		

Warranty & Certifications	
5-year limited warranty	
DesignLights Consortium (DLC) listed (Classification: Standard and Premium)	
Main: Outdoor Luminaires;	
General Application: High Output;	
Primary Use: Outdoor Non-Cutoff and Semi-Cutoff Wall-Mounted Area Luminaires	
cULus certified	E473804

## PACKAGE CONTENTS:

Description	Q-ty
LED Traditional Wallpack	1
Box	1
Installation Instructions	3

## ACCESSORIES (sold separately):

This light includes an optional Photocell which activates the light during low illumination (At Dusk) and de-activates the light when illuminated (At Dawn).

Photocell for LED Traditional Wallpack		
Model	ASD-WLP01-02-PC	
Operate Level	10-20 Lx	ON
	30-80 Lx	OFF
Glare Shield for LED Traditional Wallpack WLP01 50-80W		
Model	ASD-SWLP01-50/80	
Material	Aluminum	
Finish	Bronze	
Dimensions (LxWxH)	12 3/4" x 9 1/2" x 10 1/8"	

For most up-to-date spec sheets please refer to [asd-lighting.com](http://asd-lighting.com)

ASD LIGHTING CORP

E-mail: [orders@asd-lighting.com](mailto:orders@asd-lighting.com) | Web site: [www.asd-lighting.com](http://www.asd-lighting.com)





# LED Traditional Wallpack

Premium & Standard Series

## INSTALLATION GUIDE

### IMPORTANT SAFETY INFORMATION:

Please read all the instructions below before installation.

- ▶ Make sure that the supply voltage corresponds to the rated product voltage.
- ▶ The product must be installed by a qualified electrician in accordance with the National Electrical Code and corresponding local codes.
- ▶ If the product is damaged, do not use it.

### ⚠ WARNING

**RISK OF PERSONAL INJURY – READ and follow all WARNINGS and installation instructions.**

Keep or give to the owner for future reference.

**Risk of cuts:** Wear gloves to prevent cuts or abrasions when removing from carton, handling, installing, and maintaining this product.

**Risk of electric shock:** This product must be installed in accordance with the applicable installation code by a person familiar with the construction and operation of the product and the hazards involved.

**Risk of Fire:** Minimum 194°F supply conductors. Consult a qualified electrician to ensure correct branch circuit conductor.

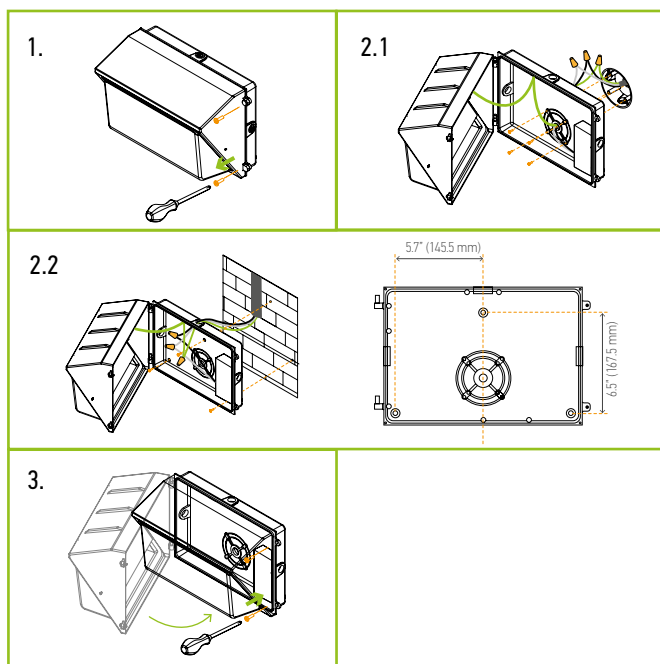
ASD® assumes no responsibility for claims arising out of improper or careless installation or handling of this product.

### INSTALLATION STEPS:

1. Use a screwdriver to loosen (2) screws securing fixture door and open it.
2. Can be mounted to a junction box (see 2.1) or directly to a wall (see 2.2).
3. Carefully drill holes through castings to avoid damaging the driver, wires and quick connectors. Hang the fixture on the back plate. Connect wires into wiring terminal; white wire to "Neutral" terminal, black wire to "Live" terminal, green wire to "Ground" terminal; and fix them with screws.

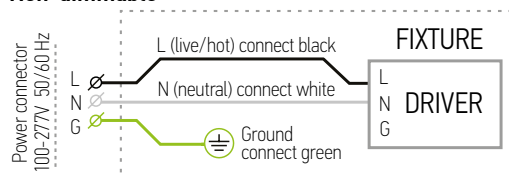
Replace one of the side caps pointed in the picture, insert power cord into the fixture and connect the wires as shown. Refer to size of the diagram to bore the holes in the wall.

Close fixture and tighten 2 screws removed in installation step 1.

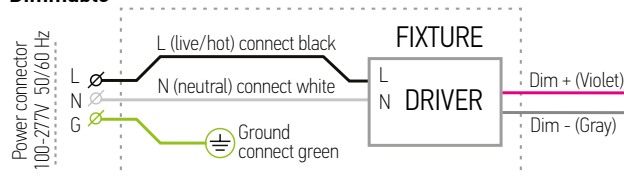


### ELECTRICAL SCHEMATIC DIAGRAM:

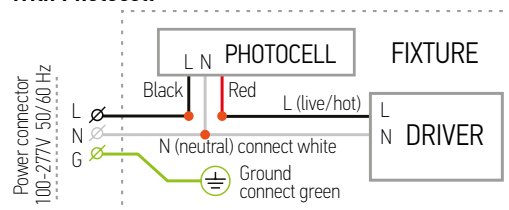
#### Non-dimmable



#### Dimmable



#### With Photocell

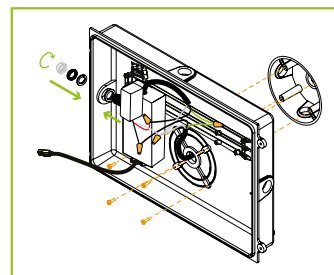


### PHOTOCELL INSTALLATION:

Take out one of the knockout caps, place the first O-ring on PC thread, install the photocell into the receptacle base.

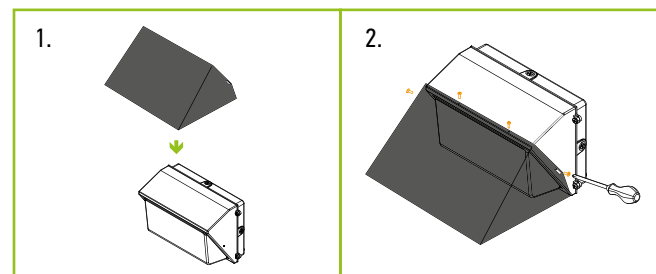
Place the second O-ring, screw the plastic nut, and tighten the transparent cap on PC thread at the outer side of the fixture.

Connect all the photocell wires according to PHOTOCELL ELECTRICAL SCHEMATIC DIAGRAM.



### ASSEMBLING FIXTURE WITH OPTIONAL SHIELD:

1. Install the shield
2. Tighten the screws



For most up-to-date spec sheets please refer to [asd-lighting.com](http://asd-lighting.com)