

2

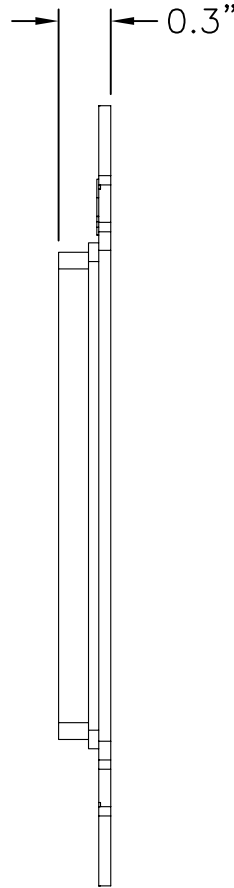
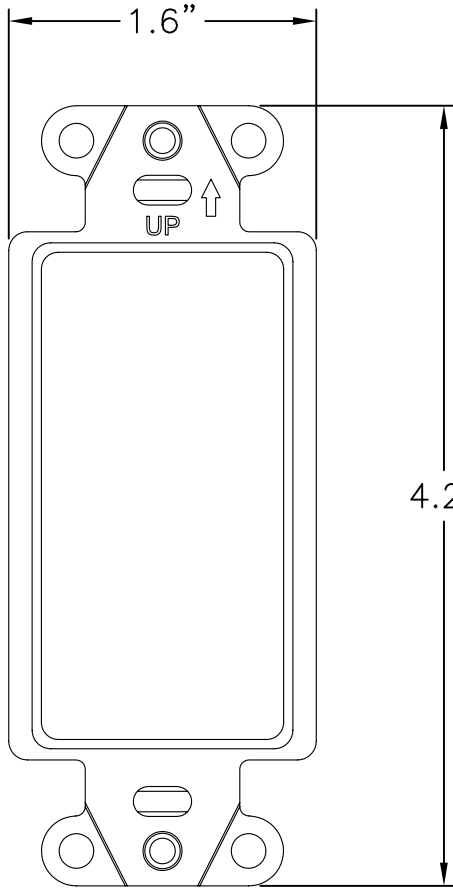
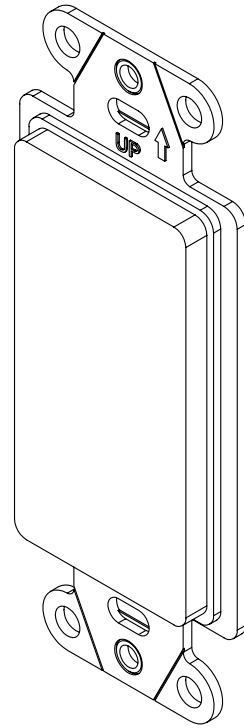
1

NOTES:

- 1. MATERIAL: ABS
- 2. UL LISTED
- 3. COLORS AVAILABLE: IVORY, BROWN, BLACK,
LIGHT ALMOND ,WHITE
- 4. INSTALLATION HARDWARE INCLUDED

B

B



A

A

PROPRIETARY AND CONFIDENTIAL
 THE INFORMATION CONTAINED
 IN THIS DRAWING IS THE SOLE
 PROPERTY OF On-Q/LEGRAND.
 ANY REPRODUCTION IN PART OR
 AS A WHOLE WITHOUT THE WRITTEN
 PERMISSION OF On-Q/LEGRAND
 IS PROHIBITED. DRAWING IS SUBJECT
 TO CHANGE WITHOUT NOTICE.

on·Q

legrand

P.O. Box 60907
 Middletown, PA 17106-0907
 1-800-321-2343

TITLE:

DECORATOR STRAP BLANK

SIZE	DWG NO	FILE NAME	CUST REV
A	WP3410	CD-WP3410	1
REVISED DATE	SCALE	SHEET	
11/09/07	NONE	1 OF 1	

2

1

2

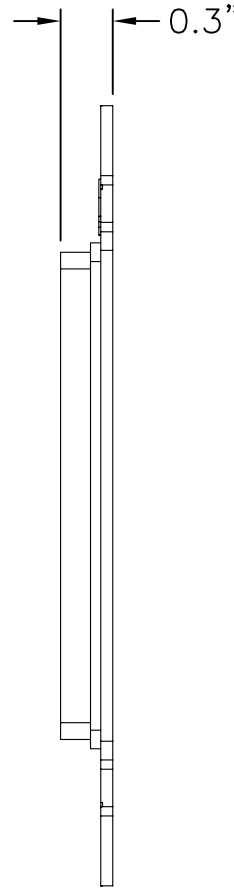
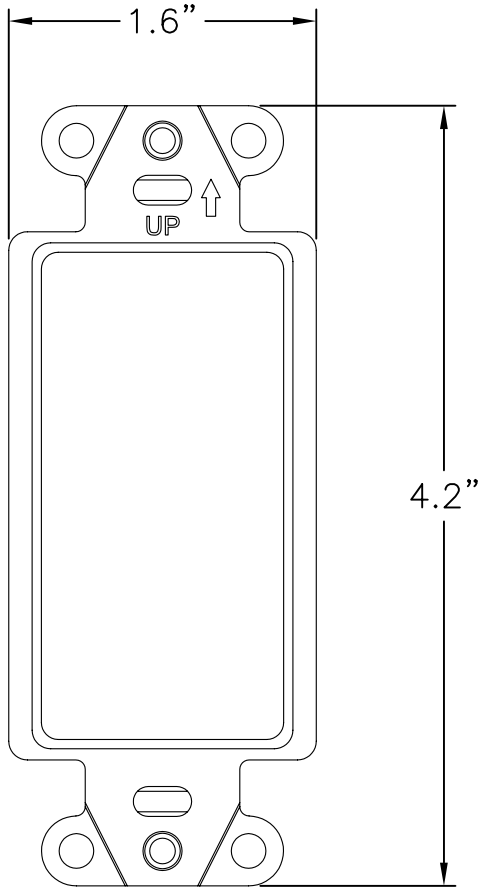
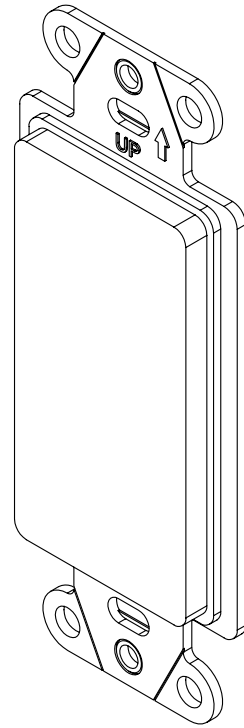
1

NOTES:

- 1. MATERIAL: ABS
- 2. UL LISTED
- 3. COLORS AVAILABLE: IVORY, BROWN, BLACK,
LIGHT ALMOND ,WHITE
- 4. INSTALLATION HARDWARE INCLUDED

B

B



A

A

PROPRIETARY AND CONFIDENTIAL
 THE INFORMATION CONTAINED
 IN THIS DRAWING IS THE SOLE
 PROPERTY OF On-Q/LEGRAND.
 ANY REPRODUCTION IN PART OR
 AS A WHOLE WITHOUT THE WRITTEN
 PERMISSION OF On-Q/LEGRAND
 IS PROHIBITED. DRAWING IS SUBJECT
 TO CHANGE WITHOUT NOTICE.

on·Q

legrand

P.O. Box 60907
 Middletown, PA 17106-0907
 1-800-321-2343

TITLE:

DECORATOR STRAP BLANK

SIZE	DWG NO	FILE NAME	CUST REV
A	WP3410	CD-WP3410	1
REVISED DATE	SCALE	SHEET	
11/09/07	NONE	1 OF 1	

2

1