

2

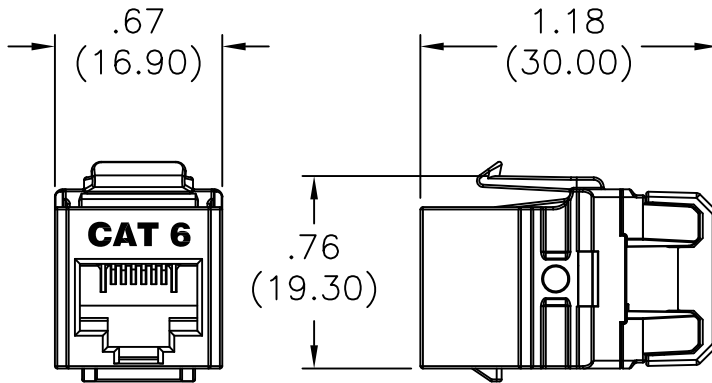
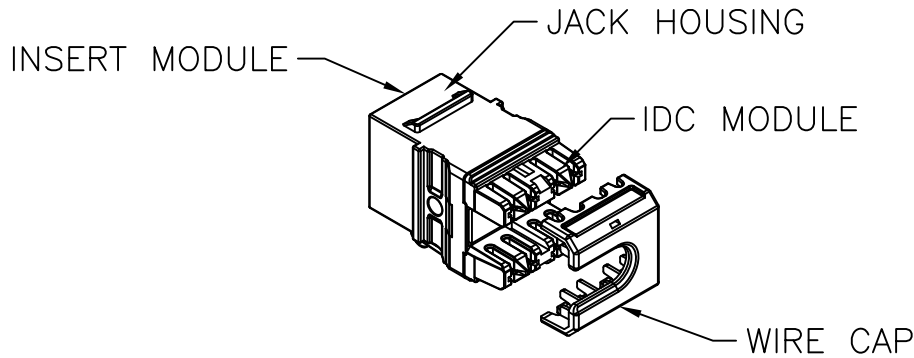
1

NOTES:

- 1. MATERIAL: ABS
- 2. UL LISTED
- 3. COLORS AVAILABLE: IVORY, BROWN, BLACK, LIGHT ALMOND ,WHITE, RED, ORANGE, GREY, BLUE

B

B



A

A

PROPRIETARY AND CONFIDENTIAL
 THE INFORMATION CONTAINED
 IN THIS DRAWING IS THE SOLE
 PROPERTY OF On-Q/LEGRAND.
 ANY REPRODUCTION IN PART OR
 AS A WHOLE WITHOUT THE WRITTEN
 PERMISSION OF On-Q/LEGRAND
 IS PROHIBITED. DRAWING IS SUBJECT
 TO CHANGE WITHOUT NOTICE.

on·Q

legrand

P.O. Box 60907
 Middletown, PA 17106-0907
 1-800-321-2343

TITLE:

**CATEGORY 6 QC RJ45
 T568 A/B KEYSTONE CONNECTOR**

SIZE A	DWG NO WP3476	FILE NAME CD-WP3476	CUST REV 1
REVISED DATE 5/15/13	SCALE NTS	SHEET 1 OF 1	

2

1