

DESCRIPTION

The Lumark WPSLED wall luminaire provides traditional architectural style with high performance energy efficient illumination. Rugged die-cast aluminum construction, stainless steel hardware along with a sealed and gasketed optical compartment make the Wal-Pak virtually impenetrable to contaminants. IP66 Rated. UL/cUL wet location listed. Replaces up to 100W metal halide equivalent. The WPSLED wall luminaire is ideal for pathway illumination, building entrances, vehicle ramps, schools, tunnels, stairways and loading docks.

Catalog #		Type
Project		
Comments		Date
Prepared by		

SPECIFICATION FEATURES

Housing

Rugged die-cast aluminum housing and hinged, removable die-cast aluminum door. One-piece silicone gasket seals the optical chamber. UL 1598 wet location listed and IP66 ingress protection rated. Three 1/2" threaded conduit entry points allow for thru-branch wiring.

Optical

Highly reflective anodized aluminum reflectors provide high efficiency illumination. Optical assemblies include impact resistant borosilicate refractive glass. Solid state LED luminaires are thermally optimized with one lumen

packages. Available in cool 5000K or neutral warm 4000K LED color temperature (CCT).

Electrical

LED driver and related electrical components are hard mounted to the die-cast housing for optimal heat sinking and operating efficiency. Wiring is extended through a silicone gasket at the back of the housing. LED thermal management system incorporates both conduction and natural convection to transfer heat rapidly away from LED source. Integral LED electronic driver incorporates internal fusing designed to

withstand a 4kV surge test and is Class 2 rated for 120-277V, 50/60Hz with an operating temperature of -40° to 40°C. Wal-Pak LED systems maintain greater than 94% of the initial light output after 50,000 hours of operation.

Finish

Finished in five-stage super UV stabilized polyester powder coat paint for superior protection against fade and wear. Standard color is bronze.

Options

Optional wire guard and visor are available.



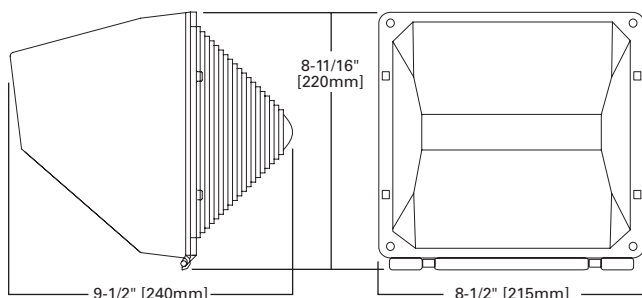
WPSLED

27W

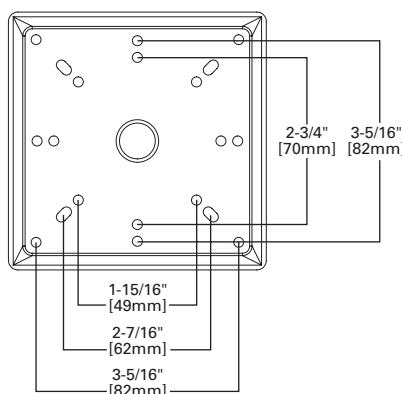
LED

WALL MOUNT LUMINAIRE

DIMENSIONS



MOUNTING DETAIL



TECHNICAL DATA

UL/cUL Wet Location Listed
IP66 Rated
40°C Maximum Ambient Temperature
DesignLights Consortium® Qualified*

SHIPPING DATA

Approximate Net Weight:
5.25 lbs. (2.38 kgs.)

POWER AND LUMENS

4000K	WPSLED-30
Delivered Lumens	3382
CCT (Kelvin)	4000
CRI (Color Rendering Index)	70
Power Consumption (Watts)	27
5000K	WPSLED-30
Delivered Lumens	3435
CCT (Kelvin)	5000
CRI (Color Rendering Index)	70
Power Consumption (Watts)	27

CURRENT DRAW

Voltage (V)	Model Series
	WPSLED-30
Current (A)	
120V	0.23
208V	0.13
240V	0.12
277V	0.10

LUMEN MAINTENANCE

Ambient Temperature	TM-21 Lumen Maintenance (50,000 Hours)	Theoretical L70 (Hours)
4000K / 5000K		
25°C	> 94.88%	> 346,000
40°C	> 94.03%	> 294,000

LUMEN MULTIPLIER

Ambient Temperature	Lumen Multiplier
10°C	1.03
15°C	1.02
25°C	1.00
40°C	0.97

ORDERING INFORMATION

Sample Number: WPSLED-30-GL-UNV

Product Family ^{1,2}	Lamp Wattage	Door/Glass	Voltage	Options (Add as Suffix) ³	Accessories (Order Separately)
WPSLED	30=27W	GL=Borosilicate Glass Door	UNV=120-277V 347=347V	Blank=70 CRI / 4000K 7050=70 CRI / 5000K PC=120-277V Button Photocontrol 10kV=10kV Surge Protection	WGS/WLPAK=Wire Guard WPSLED VSS/WLPAK=Visor for WPSLED

NOTES:

1. Available in bronze only.
2. DesignLights Consortium® Qualified. Refer to www.designlights.org Qualified Products List under Family Models for details.
3. Extended lead times apply.

DESCRIPTION

The Lumark WPSLED wall luminaire provides traditional architectural style with high performance energy efficient illumination. Rugged die-cast aluminum construction, stainless steel hardware along with a sealed and gasketed optical compartment make the Wal-Pak virtually impenetrable to contaminants. IP66 Rated. UL/cUL wet location listed. Replaces up to 100W metal halide equivalent. The WPSLED wall luminaire is ideal for pathway illumination, building entrances, vehicle ramps, schools, tunnels, stairways and loading docks.

Catalog #		Type
Project		
Comments		Date
Prepared by		

SPECIFICATION FEATURES

Housing

Rugged die-cast aluminum housing and hinged, removable die-cast aluminum door. One-piece silicone gasket seals the optical chamber. UL 1598 wet location listed and IP66 ingress protection rated. Three 1/2" threaded conduit entry points allow for thru-branch wiring.

Optical

Highly reflective anodized aluminum reflectors provide high efficiency illumination. Optical assemblies include impact resistant borosilicate refractive glass. Solid state LED luminaires are thermally optimized with one lumen

packages. Available in cool 5000K or neutral warm 4000K LED color temperature (CCT).

Electrical

LED driver and related electrical components are hard mounted to the die-cast housing for optimal heat sinking and operating efficiency. Wiring is extended through a silicone gasket at the back of the housing. LED thermal management system incorporates both conduction and natural convection to transfer heat rapidly away from LED source. Integral LED electronic driver incorporates internal fusing designed to

withstand a 4kV surge test and is Class 2 rated for 120-277V, 50/60Hz with an operating temperature of -40° to 40°C. Wal-Pak LED systems maintain greater than 94% of the initial light output after 50,000 hours of operation.

Finish

Finished in five-stage super UV stabilized polyester powder coat paint for superior protection against fade and wear. Standard color is bronze.

Options

Optional wire guard and visor are available.



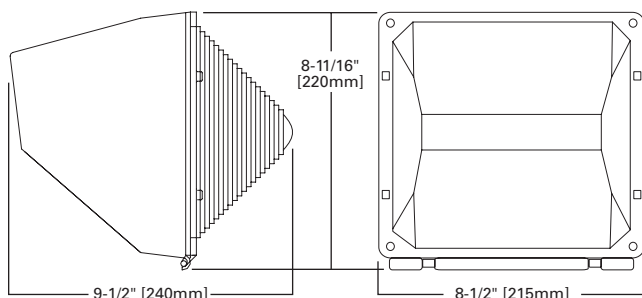
WPSLED

27W

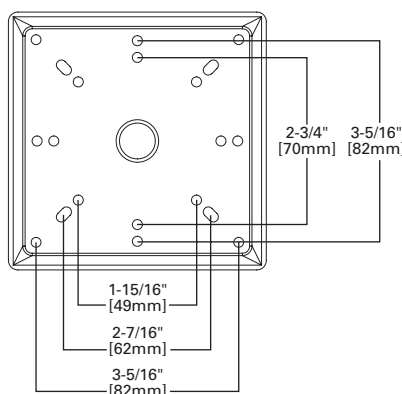
LED

WALL MOUNT LUMINAIRE

DIMENSIONS



MOUNTING DETAIL



TECHNICAL DATA

UL/cUL Wet Location Listed
IP66 Rated
40°C Maximum Ambient Temperature
DesignLights Consortium® Qualified*

SHIPPING DATA

Approximate Net Weight:
5.25 lbs. (2.38 kgs.)

POWER AND LUMENS

4000K	WPSLED-30
Delivered Lumens	3382
CCT (Kelvin)	4000
CRI (Color Rendering Index)	70
Power Consumption (Watts)	27
5000K	WPSLED-30
Delivered Lumens	3435
CCT (Kelvin)	5000
CRI (Color Rendering Index)	70
Power Consumption (Watts)	27

CURRENT DRAW

Voltage (V)	Model Series
	WPSLED-30
Current (A)	
120V	0.23
208V	0.13
240V	0.12
277V	0.10

LUMEN MAINTENANCE

Ambient Temperature	TM-21 Lumen Maintenance (50,000 Hours)	Theoretical L70 (Hours)
4000K / 5000K		
25°C	> 94.88%	> 346,000
40°C	> 94.03%	> 294,000

LUMEN MULTIPLIER

Ambient Temperature	Lumen Multiplier
10°C	1.03
15°C	1.02
25°C	1.00
40°C	0.97

ORDERING INFORMATION

Sample Number: WPSLED-30-GL-UNV

Product Family ^{1,2}	Lamp Wattage	Door/Glass	Voltage	Options (Add as Suffix) ³	Accessories (Order Separately)
WPSLED	30=27W	GL=Borosilicate Glass Door	UNV=120-277V 347=347V	Blank=70 CRI / 4000K 7050=70 CRI / 5000K PC=120-277V Button Photocontrol 10kV=10kV Surge Protection	WGS/WLPAK=Wire Guard WPSLED VSS/WLPAK=Visor for WPSLED

NOTES:

1. Available in bronze only.
2. DesignLights Consortium® Qualified. Refer to www.designlights.org Qualified Products List under Family Models for details.
3. Extended lead times apply.