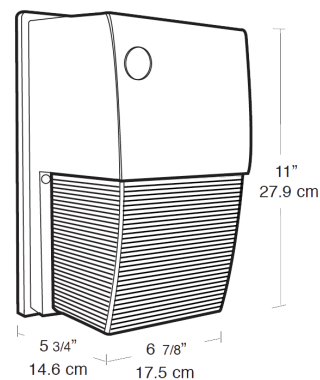


WPTF42

28 thru 42 watt compact fluorescent Tallpack. Vandal resistant polycarbonate housing. Heavy die-cast aluminum back plate with 1/2" bottom and back conduit opening. Factory installed 120V photocell with bypass cap included. Operating temperature 28w (-20°F), 26, 32 & 42w(0°F). Lamp supplied.

Color: Bronze

Weight: 4.5 lbs



Lamp Info

Type: 42W Triple
 Watts: 42W
 Shape/Size: N/A
 Base: N/A
 ANSI: N/A
 Hours: 10,000
 Lamp Lumens: 3,000
 Efficacy: 65 LPW

Ballast Info

Type: Elec HPF QT
 120V: 0.38A
 208V: 0.3A
 240V: 0.2A
 277V: 0.17A
 Input Watts: 46W
 Efficiency: 91%

Technical Specifications

UL Listing:

Suitable for wet locations.

Reflector:

Die formed aluminum for wide light distribution.
 Moveable Glare Shield for field adjustable light control
 slanted slightly downward for more light on the job.

Ballast Housing:

Stamped steel painted white.

Back Plate:

Heavy die cast aluminum. 1/2" bottom conduit knockout.
 Knockouts for mounting to 3" or 4" junction boxes.

Housing and Refractor:

Vandal resistant polycarbonate molded refractor. Die cast aluminum back plate.

Ballast Minimum Starting Temperature:

0°F.

Patents:

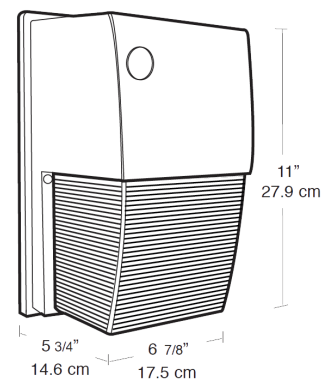
The unique RAB Tallpack is protected by U.S. Patent D569,029; China Patent ZL200730149211.2; Taiwan Patent D124,864 and Canada Patent D121,993.

WPTF42

28 thru 42 watt compact fluorescent Tallpack. Vandal resistant polycarbonate housing. Heavy die-cast aluminum back plate with 1/2" bottom and back conduit opening. Factory installed 120V photocell with bypass cap included. Operating temperature 28w (-20°F), 26, 32 & 42w(0°F). Lamp supplied.

Color: Bronze

Weight: 4.5 lbs



Lamp Info

Type: 42W Triple
 Watts: 42W
 Shape/Size: N/A
 Base: N/A
 ANSI: N/A
 Hours: 10,000
 Lamp Lumens: 3,000
 Efficacy: 65 LPW

Ballast Info

Type: Elec HPF QT
 120V: 0.38A
 208V: 0.3A
 240V: 0.2A
 277V: 0.17A
 Input Watts: 46W
 Efficiency: 91%

Technical Specifications

UL Listing:

Suitable for wet locations.

Reflector:

Die formed aluminum for wide light distribution.
 Moveable Glare Shield for field adjustable light control
 slanted slightly downward for more light on the job.

Ballast Housing:

Stamped steel painted white.

Back Plate:

Heavy die cast aluminum. 1/2" bottom conduit knockout.
 Knockouts for mounting to 3" or 4" junction boxes.

Housing and Refractor:

Vandal resistant polycarbonate molded refractor. Die cast aluminum back plate.

Ballast Minimum Starting Temperature:

0°F.

Patents:

The unique RAB Tallpack is protected by U.S. Patent D569,029; China Patent ZL200730149211.2; Taiwan Patent D124,864 and Canada Patent D121,993.