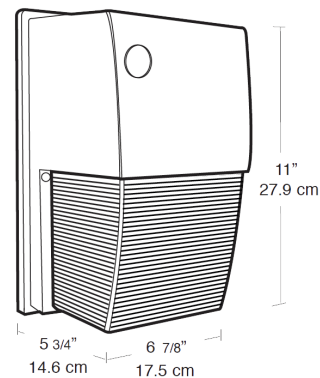


# WPTF42

28 thru 42 watt compact fluorescent Tallpack. Vandal resistant polycarbonate housing. Heavy die-cast aluminum back plate with 1/2" bottom and back conduit opening. Factory installed 120V photocell with bypass cap included. Operating temperature 28w (-20&deg;F), 26, 32 & 42w(0&deg;F). Lamp supplied.

Color: Bronze

Weight: 4.5 lbs



## Lamp Info

Type:	42W Triple
Watts:	42W
Shape/Size:	N/A
Base:	N/A
ANSI:	N/A
Hours:	10,000
Lamp Lumens:	3,000
Efficacy:	65 LPW

## Ballast Info

Type:	Elec HPF QT
120V:	0.38A
208V:	0.3A
240V:	0.2A
277V:	0.17A
Input Watts:	46W
Efficiency:	91%

## Technical Specifications

### UL Listing:

Suitable for wet locations.

### Reflector:

Die formed aluminum for wide light distribution.  
Moveable Glare Shield for field adjustable light control  
slanted slightly downward for more light on the job.

### Ballast Housing:

Stamped steel painted white.

### Back Plate:

Heavy die cast aluminum. 1/2" bottom conduit knockout.  
Knockouts for mounting to 3" or 4" junction boxes.

### Housing and Refractor:

Vandal resistant polycarbonate molded refractor. Die cast aluminum back plate.

### Ballast Minimum Starting Temperature:

0°F.

### Patents:

The unique RAB Tallpack is protected by U.S. Patent D569,029; China Patent ZL200730149211.2; Taiwan Patent D124,864 and Canada Patent D121,993.