

# H-MOSS® Controls Passive Infrared Wall Switches

# HUBBELL

## Features

- Designed for use on 120 AC circuits, no neutral required, fast retrofits
- Matching wallplate included

## Ordering Information

Description	UPC Number	Catalog Number
Manual adjusting; auto ON operation; 120V AC only	783585256221	WS1000W

## Listings

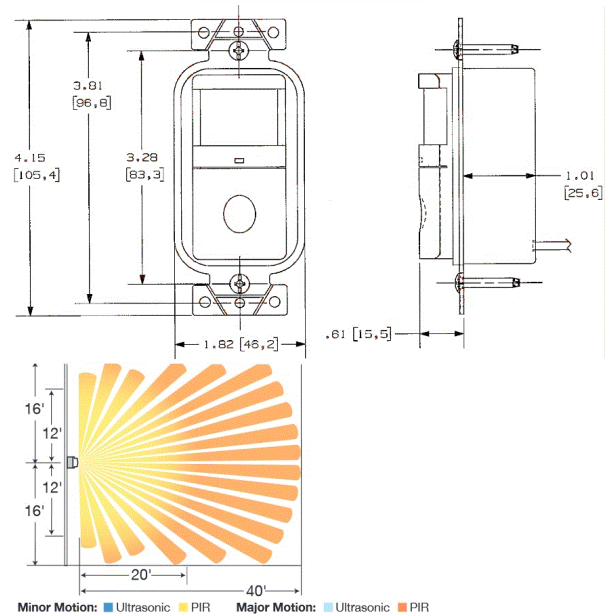
cULus listed to UL 773A

## Specifications

Housing	Flame retardant UL 94 V-0 ABS
Lens	Polyethylene
Dimensions	Face 2.59"H x 1.30"W, 0.61"D (from wall out)
Mounting Height	42 to 54 inches above floor
Mounting Strap	Steel

## Performance

<b>Controls</b>	
Front Press Switch	ON/OFF
Service Switch	OFF (service); ON (normal operation)
Time Delay	Manual 20 seconds to 30 minutes
<b>Electrical</b>	
Load Capacity	Incandescent - 0 to 1000 watts, 120V; Ballast - 0 to 1000 watts, 277V; Horsepower rating 1/6
<b>Environmental</b>	
Operating Temperature	32°F to 122°F (0°C to 50°C) with rate of change not exceeding 20°F(11°C) per hour
Storage	-40°F to 150°F (-40°C to 65°C); 20% to 90% non condensing relative humidity
<b>Sensing Indicators</b>	
Passive Infrared	Red LED



## Complementary Products

SS Wallplate	SS26
Snap-On Wallplate	RCW1W

## Online Resources

Customer Use Drawing  
eCatalog  
Installation Instructions

Dimensions in Inches (mm)

Hubbell Wiring Device-Kellems • Hubbell Incorporated (Delaware) • 40 Waterview Drive • Shelton, CT 06484

Phone (800) 288-6000 • Fax (800) 255-1031 • Specifications subject to change without notice.



# H-MOSS® Controls Passive Infrared Wall Switches

# HUBBELL

## Features

- Designed for use on 120 AC circuits, no neutral required, fast retrofits
- Matching wallplate included

## Ordering Information

Description	UPC Number	Catalog Number
Manual adjusting; auto ON operation; 120V AC only	783585256221	WS1000W

## Listings

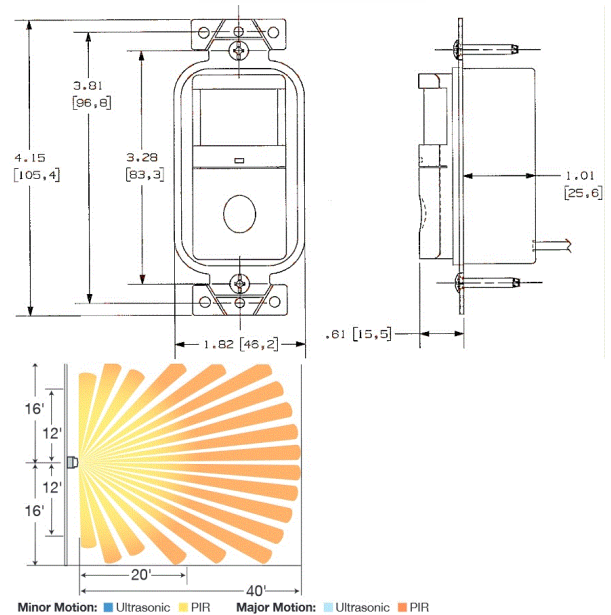
cULus listed to UL 773A

## Specifications

Housing	Flame retardant UL 94 V-0 ABS
Lens	Polyethylene
Dimensions	Face 2.59"H x 1.30"W, 0.61"D (from wall out)
Mounting Height	42 to 54 inches above floor
Mounting Strap	Steel

## Performance

<b>Controls</b>	
Front Press Switch	ON/OFF
Service Switch	OFF (service); ON (normal operation)
Time Delay	Manual 20 seconds to 30 minutes
<b>Electrical</b>	
Load Capacity	Incandescent - 0 to 1000 watts, 120V; Ballast - 0 to 1000 watts, 277V; Horsepower rating 1/6
<b>Environmental</b>	
Operating Temperature	32°F to 122°F (0°C to 50°C) with rate of change not exceeding 20°F(11°C) per hour
Storage	-40°F to 150°F (-40°C to 65°C); 20% to 90% non condensing relative humidity
<b>Sensing Indicators</b>	
Passive Infrared	Red LED



## Complementary Products

SS Wallplate	SS26
Snap-On Wallplate	RCW1W

## Online Resources

Customer Use Drawing  
eCatalog  
Installation Instructions

Dimensions in Inches (mm)

Hubbell Wiring Device-Kellems • Hubbell Incorporated (Delaware) • 40 Waterview Drive • Shelton, CT 06484

Phone (800) 288-6000 • Fax (800) 255-1031 • Specifications subject to change without notice.

