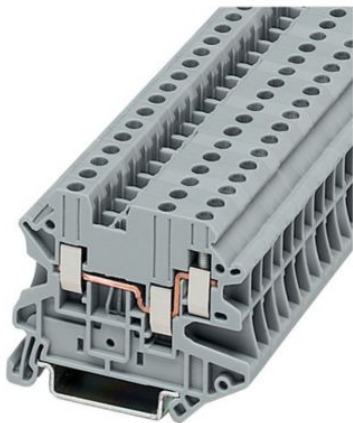


Eaton XBUT25D12

Catalog Number: XBUT25D12

Eaton XB IEC terminal block, Screw Connection Multi-Conductor Terminal Blocks, Gray, 12 AWG/2.5 mm² maximum wire, Three-wire



General specifications

Product Name	Catalog Number
Eaton XB IEC terminal block	XBUT25D12
UPC	Product Length/Depth
782116905096	1.85 in
Product Height	Product Width
2.17 in	0.2 in
Product Weight	Warranty
0.02 lb	1 year
Certifications	
UL Listed	
CSA Certified	

Product specifications

Type

IEC-XB Series

Amperage Rating

28A (IEC), 20A (UL)

Voltage rating

IEC 500V, UL 150V

Resources

Specifications and datasheets

[Eaton Specification Sheet - XBUT25D12](#)



Eaton Corporation plc
Eaton House
30 Pembroke Road
Dublin 4, Ireland
Eaton.com

© 2025 Eaton. All Rights Reserved.

Eaton is a registered trademark.

All other trademarks are property of their respective owners.

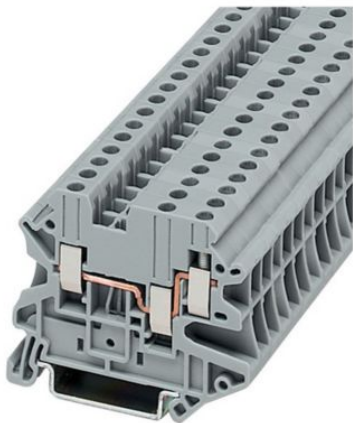


Eaton.com/socialmedia

Eaton XBUT25D12

Catalog Number: XBUT25D12

Eaton XB IEC terminal block, Screw Connection Multi-Conductor Terminal Blocks, Gray, 12 AWG/2.5 mm² maximum wire, Three-wire



General specifications

Product Name	Catalog Number
Eaton XB IEC terminal block	XBUT25D12
UPC	Product Length/Depth
782116905096	1.85 in
Product Height	Product Width
2.17 in	0.2 in
Product Weight	Warranty
0.02 lb	1 year
Certifications	
UL Listed	
CSA Certified	

Product specifications

Type

IEC-XB Series

Amperage Rating

28A (IEC), 20A (UL)

Voltage rating

IEC 500V, UL 150V

Resources

Specifications and datasheets

[Eaton Specification Sheet - XBUT25D12](#)



Eaton Corporation plc
Eaton House
30 Pembroke Road
Dublin 4, Ireland
Eaton.com

© 2025 Eaton. All Rights Reserved.

Eaton is a registered trademark.

All other trademarks are property of their respective owners.



Eaton.com/socialmedia