



Powering Business Worldwide

[pe.eaton.com](http://pe.eaton.com)

## Screw connection single level-through-feed

**XBUT4RD**

**UPC:**782116904891

### Dimensions:

- **Height:** 2.5 IN
- **Length:** .244 IN
- **Width:** .01 IN

**Weight:**.01 LB

### Warranties:

- 1 year

### Specifications:

- **Type:** IEC-XB Series
- **Amperage Rating:** 41A (IEC), 30A (EN), 38A (EN), 30A (UL)
- **Voltage Rating:** IEC 800V, EN 700V, UL 600V
- **Maximum Wire Size:** 10 AWG/4 mm<sup>2</sup>
- **Wire Size:** #26-10 AWG
- **Color:** Red

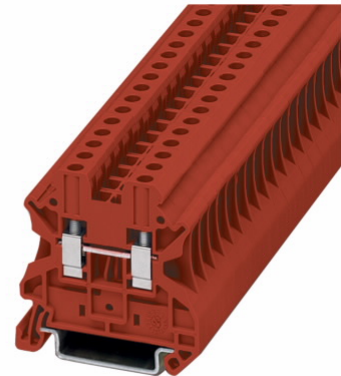
### Supporting documents:

- [XB IEC TERMINAL BLOCKS](#)
- [Eatons Volume 7-Logic Control, Operator Interface and Connectivity Solutions](#)
- [XB IEC terminal blocks-versatility, quality, and reliability](#)
- [Eaton Specification Sheet - XBUT4RD](#)

### Certifications:

- UL Listed
- CSA Certified

**Product compliance:** No Data





Powering Business Worldwide

[pe.eaton.com](http://pe.eaton.com)

## Screw connection single level-through-feed

**XBUT4RD**

**UPC:**782116904891

### Dimensions:

- **Height:** 2.5 IN
- **Length:** .244 IN
- **Width:** .01 IN

**Weight:**.01 LB

### Warranties:

- 1 year

### Specifications:

- **Type:** IEC-XB Series
- **Amperage Rating:** 41A (IEC), 30A (EN), 38A (EN), 30A (UL)
- **Voltage Rating:** IEC 800V, EN 700V, UL 600V
- **Maximum Wire Size:** 10 AWG/4 mm<sup>2</sup>
- **Wire Size:** #26-10 AWG
- **Color:** Red

### Supporting documents:

- [XB IEC TERMINAL BLOCKS](#)
- [Eatons Volume 7-Logic Control, Operator Interface and Connectivity Solutions](#)
- [XB IEC terminal blocks-versatility, quality, and reliability](#)
- [Eaton Specification Sheet - XBUT4RD](#)

### Certifications:

- UL Listed
- CSA Certified

**Product compliance:** No Data

