

# XD Deflection Couplings

## Applications:

XD Couplings can be installed indoors, outdoors, buried underground or embedded in concrete in non-hazardous areas. XDs are used with standard rigid conduit or PVC rigid conduit. (PVC requires rigid metal conduit nipples and rigid metal-to-PVC conduit adapters). XDs provide a flexible and watertight connection for protection of conduit wiring systems from damage due to movement.

Typical applications include:

- Underground conduit feeder runs
- Runs between sections of concrete subject to relative movement
- Runs between fixed structures
- Conduit entrances in high rise buildings
- Bridges
- Marinas, docks, piers

## Features:

- XD Couplings accommodate the following movements without collapsing or fracturing the conduit, and damaging the wires it contains:
  1. Axial expansion or contraction up to  $\frac{3}{4}$ "
  2. Angular misalignment of the axes of the coupled conduit runs in any direction to  $30^\circ$
  3. Parallel misalignment of the axes of coupled conduit runs in any direction to  $\frac{3}{4}$ "
- Inner sleeve maintains constant I.D. in any position and provides a smooth insulated wireway for protection of wire insulation
- Watertight flexible neoprene outer jacket is corrosion-resistant and protects the grounding strap and the attachment points of the hubs
- Tinned copper flexible braid grounding straps assure grounding continuity
- Stainless steel jacket clamps for strength and corrosion resistance
- Standard tapered electrical threads fit standard rigid conduit
- Integral hub bushing protects insulation of conductors

## Certifications and Compliances:

- UL Standard 514B
- CSA 22.2 No. 18 3-12
- Wet locations

## Options:

- Description** **Suffix**
- Hot dip galvanized ..... **HGD**

## Size Ranges:

- 1" to 6" (smaller sizes can be obtained by using reducing bushings)

## Standard Materials and Finishes:

### Hubs:

- Feraloy® iron alloy – electrogalvanized

### Outer Jacket:

- Molded neoprene – natural (black)

### Jacket Clamps:

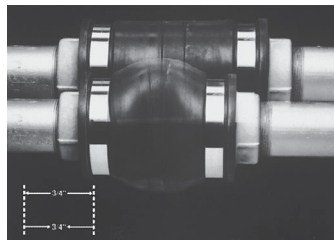
- Stainless steel – natural

### Inner Sleeve:

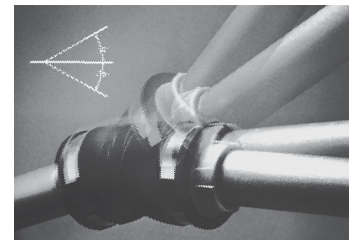
- Molded plastic – natural (brown)

### Bonding Strap:

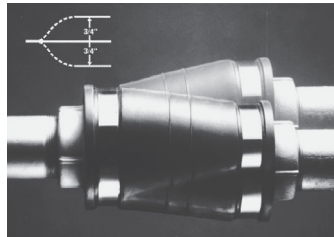
- Braided tinned copper



1. Axial expansion/contraction

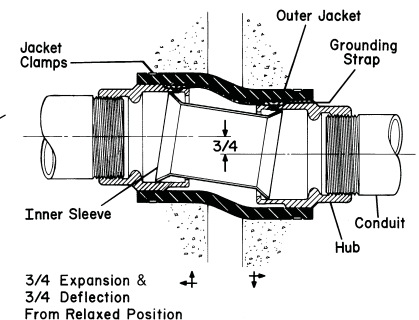
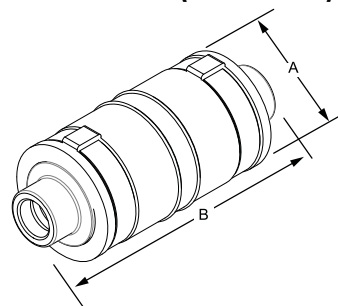


2. Angular misalignment



3. Parallel misalignment

## Dimensions (in Inches):



Conduit Size	Cat. #	A Dia.	B Length
1"	XD3*	7	3 <sup>15</sup> / <sub>16</sub>
1 <sup>1</sup> / <sub>4</sub> "	XD4	7 <sup>3</sup> / <sub>8</sub>	4 <sup>1</sup> / <sub>4</sub>
1 <sup>1</sup> / <sub>2</sub> "	XD5	7 <sup>1</sup> / <sub>4</sub>	4 <sup>1</sup> / <sub>2</sub>
2"	XD6	7 <sup>1</sup> / <sub>4</sub>	4 <sup>15</sup> / <sub>16</sub>
2 <sup>1</sup> / <sub>2</sub> "	XD7	7 <sup>1</sup> / <sub>2</sub>	5 <sup>5</sup> / <sub>16</sub>
3"	XD8	7 <sup>5</sup> / <sub>8</sub>	5 <sup>15</sup> / <sub>16</sub>
3 <sup>1</sup> / <sub>2</sub> "	XD9	7 <sup>3</sup> / <sub>4</sub>	6 <sup>1</sup> / <sub>2</sub>
4"	XD010	7 <sup>7</sup> / <sub>8</sub>	6 <sup>15</sup> / <sub>16</sub>
5"	XD012	7 <sup>3</sup> / <sub>4</sub>	8
6"	XD014	8 <sup>3</sup> / <sub>8</sub>	9

\* $\frac{3}{4}$ " trade size can be created using third party certified 1" -  $\frac{3}{4}$ " reducing bushings.

# XD Deflection Couplings

## Applications:

XD Couplings can be installed indoors, outdoors, buried underground or embedded in concrete in non-hazardous areas. XDs are used with standard rigid conduit or PVC rigid conduit. (PVC requires rigid metal conduit nipples and rigid metal-to-PVC conduit adapters). XDs provide a flexible and watertight connection for protection of conduit wiring systems from damage due to movement.

Typical applications include:

- Underground conduit feeder runs
- Runs between sections of concrete subject to relative movement
- Runs between fixed structures
- Conduit entrances in high rise buildings
- Bridges
- Marinas, docks, piers

## Features:

- XD Couplings accommodate the following movements without collapsing or fracturing the conduit, and damaging the wires it contains:
  1. Axial expansion or contraction up to  $\frac{3}{4}$ "
  2. Angular misalignment of the axes of the coupled conduit runs in any direction to  $30^\circ$
  3. Parallel misalignment of the axes of coupled conduit runs in any direction to  $\frac{3}{4}$ "
- Inner sleeve maintains constant I.D. in any position and provides a smooth insulated wireway for protection of wire insulation
- Watertight flexible neoprene outer jacket is corrosion-resistant and protects the grounding strap and the attachment points of the hubs
- Tinned copper flexible braid grounding straps assure grounding continuity
- Stainless steel jacket clamps for strength and corrosion resistance
- Standard tapered electrical threads fit standard rigid conduit
- Integral hub bushing protects insulation of conductors

## Certifications and Compliances:

- UL Standard 514B
- CSA 22.2 No. 18 3-12
- Wet locations

## Options:

- Description** **Suffix**
- Hot dip galvanized ..... **HGD**

## Size Ranges:

- 1" to 6" (smaller sizes can be obtained by using reducing bushings)

## Standard Materials and Finishes:

### Hubs:

- *Feraloy*® iron alloy – electrogalvanized

### Outer Jacket:

- Molded neoprene – natural (black)

### Jacket Clamps:

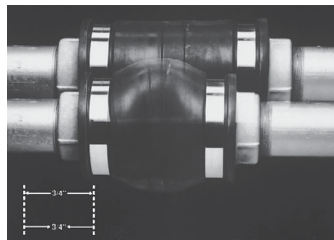
- Stainless steel – natural

### Inner Sleeve:

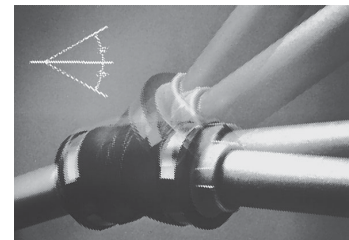
- Molded plastic – natural (brown)

### Bonding Strap:

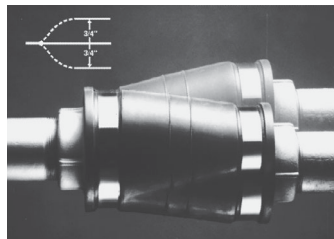
- Braided tinned copper



1. Axial expansion/contraction

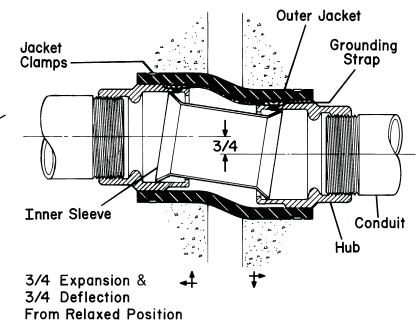
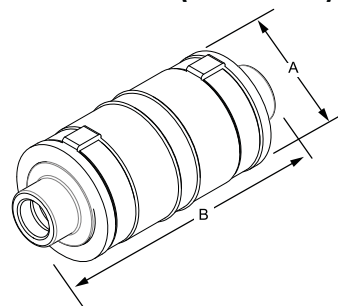


2. Angular misalignment



3. Parallel misalignment

## Dimensions (in Inches):



Conduit Size	Cat. #	A Dia.	B Length
1"	<b>XD3*</b>	7	$3^{15}/16$
1 $\frac{1}{4}$ "	<b>XD4</b>	$7^{3}/8$	$4^{1}/4$
1 $\frac{1}{2}$ "	<b>XD5</b>	$7^{1}/4$	$4^{1}/2$
2"	<b>XD6</b>	$7^{1}/4$	$4^{15}/16$
2 $\frac{1}{2}$ "	<b>XD7</b>	$7^{1}/2$	$5^{5}/16$
3"	<b>XD8</b>	$7^{5}/8$	$5^{15}/16$
3 $\frac{1}{2}$ "	<b>XD9</b>	$7^{3}/4$	$6^{1}/2$
4"	<b>XD010</b>	$7^{7}/8$	$6^{15}/16$
5"	<b>XD012</b>	$7^{3}/4$	8
6"	<b>XD014</b>	$8^{3}/8$	9

\* $\frac{3}{4}$ " trade size can be created using third party certified 1" -  $\frac{3}{4}$ " reducing bushings.