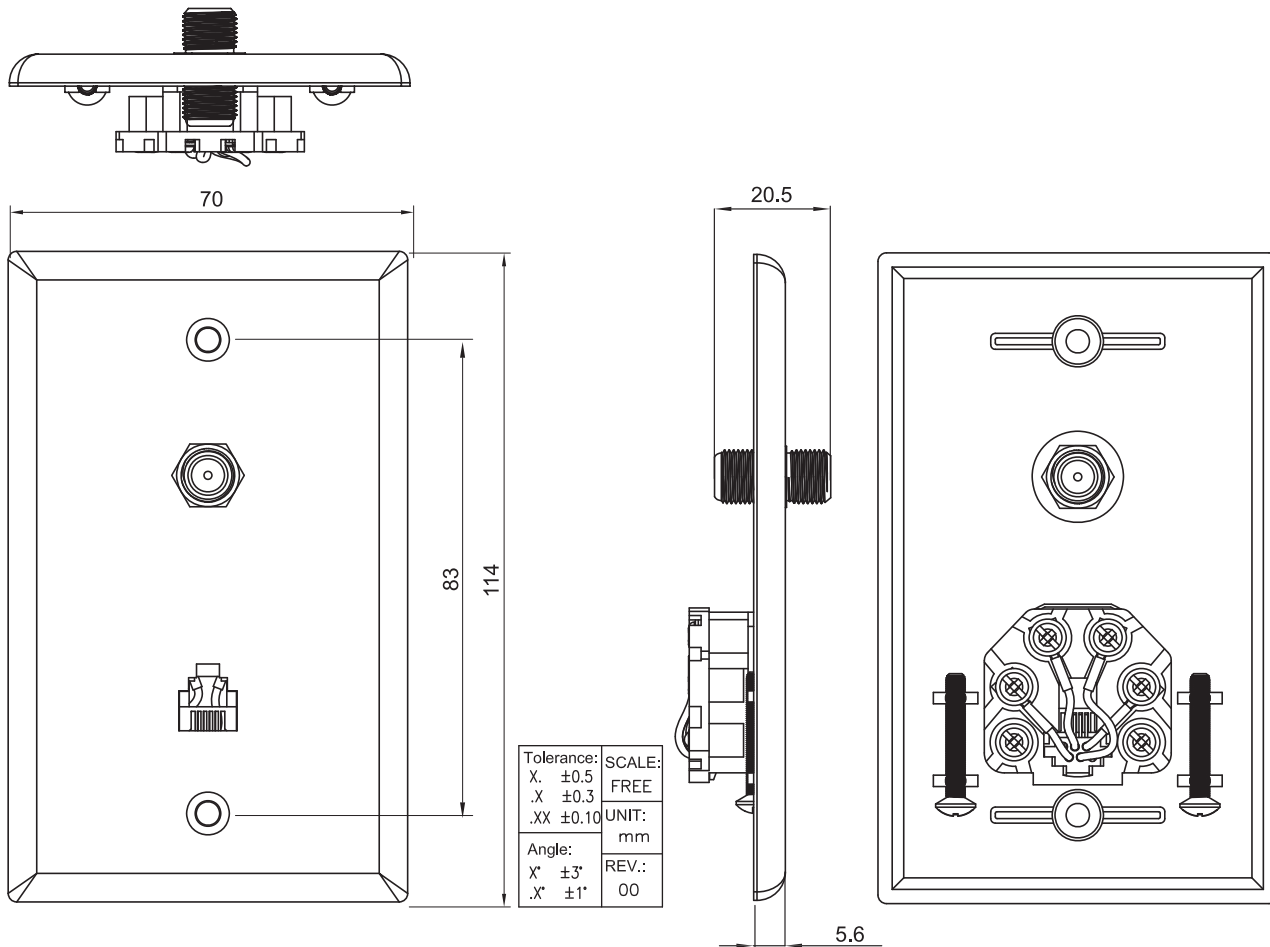




**PRODUCT SPECIFICATIONS**

Part Numbers: XFPOP-00469, XFPOP-00480, XFPOP-01451  
 Standard Combination F-81 & RJ-11 / RJ-14 Connection Wall Plate



**SPECIFICATIONS**

**MATERIAL: PLASTIC**

**PRODUCT DESCRIPTION**

**Standard Combination F-81 & RJ-11 / RJ-14 Connection Wall Plate with Color Matched Screws**

PART NUMBER	COLOR
XFPOP-00469	White
XFPOP-00480	Ivory
XFPOP-01451	Light Almond

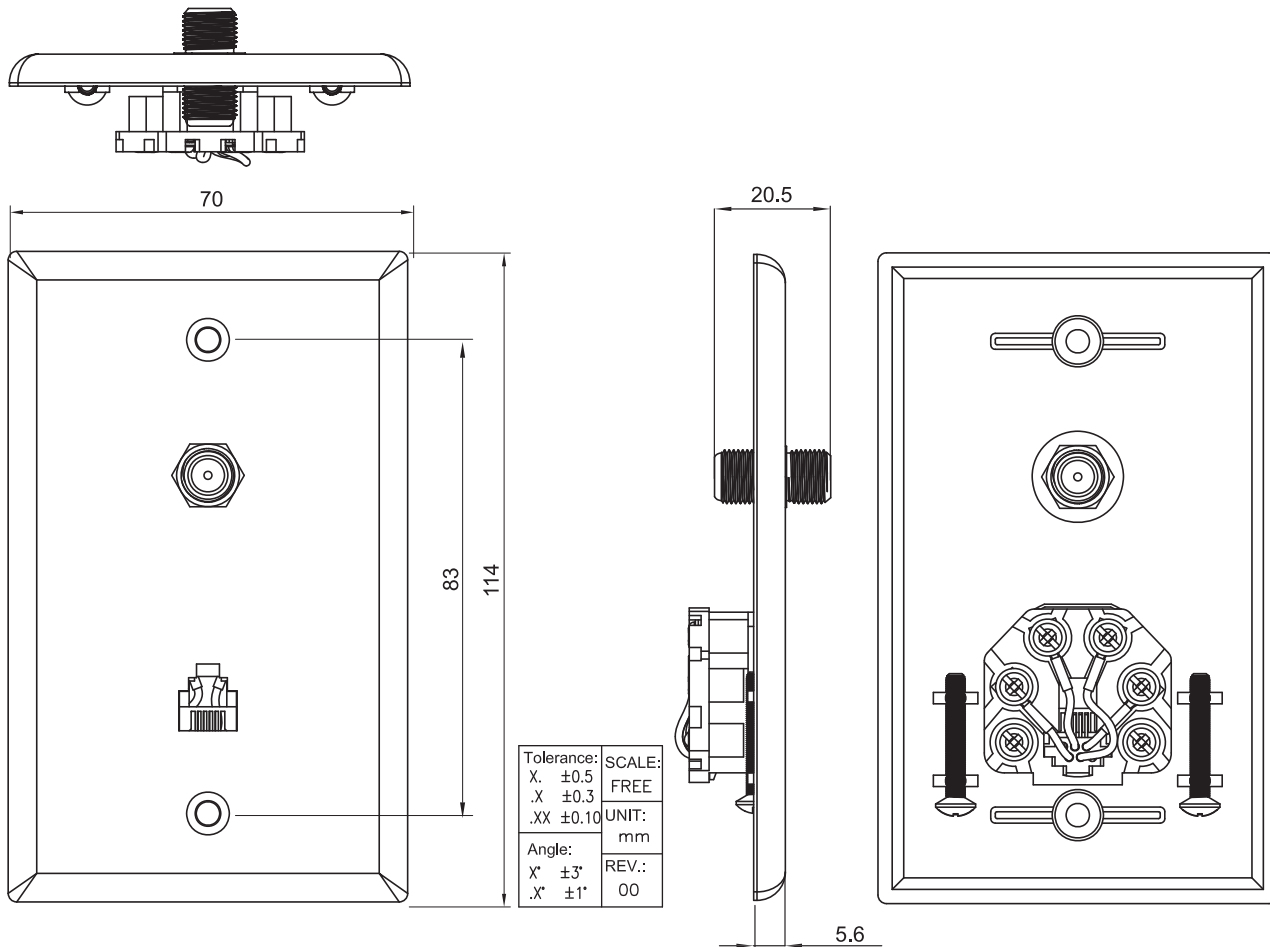
NOTE: TECHNICAL SHEETS ARE SUBJECT TO CHANGE WITHOUT NOTICE.





**PRODUCT SPECIFICATIONS**

Part Numbers: XFPOP-00469, XFPOP-00480, XFPOP-01451  
 Standard Combination F-81 & RJ-11 / RJ-14 Connection Wall Plate



**SPECIFICATIONS**

**MATERIAL: PLASTIC**

**PRODUCT DESCRIPTION**

**Standard Combination F-81 & RJ-11 / RJ-14 Connection Wall Plate with Color Matched Screws**

PART NUMBER	COLOR
XFPOP-00469	White
XFPOP-00480	Ivory
XFPOP-01451	Light Almond

NOTE: TECHNICAL SHEETS ARE SUBJECT TO CHANGE WITHOUT NOTICE.

