



Insulated Enclosures for Surface Mounting of Frame B XTPR (0.1–32A) Rotary Manual Motor Protectors with XTPAXFAEM20 Early-Make Front-Mount Auxiliary Contact—North American Usage ^①

| Degree of Protection | For Use with... | Description | Catalog Number |
|------------------------|---|--|------------------------|
| IP55 NEMA 1, 12, 3R | Frame B XTPR only or with: XTPAXSA_, XTPAXUVR_, XTPAXCL | With black/grey rotary handle | XTPAXENASEM55B |
| | | With red/yellow rotary handle for use as emergency-stop switch to VDE 0113 | XTPAXENASEM55RY |

Insulated Enclosures for Flush Mounting of Frame B (0.1–32A) XTPR Rotary Manual Motor Protectors—Global Usage ^②



| Degree of Protection | For Use with... | Description | Catalog Number |
|----------------------|---|---|--------------------|
| Front IP40 | Frame B XTPR only or with: XTPAXSA_, XTPAXUVR_, XTPAXSR_, XTPAXCL | Cover with aperture dimensioned to accommodate front of MMP | XTPAXENCF40 |



| | | | |
|------------|--|--|----------------------|
| Front IP55 | Frame B XTPR only or with: XTPAXSA_, XTPAXUVR_, XTPAXSR_, XTPAXFA_, XTPAXCL | With black/grey rotary handle | XTPAXENCF55B |
| | | With red/yellow rotary handle for use as emergency-stop switches to IEC/EN 60204 | XTPAXENCF55RY |



Insulated Enclosures for Surface Mounting of Frame D (10–65A) Rotary Motor-Protective Circuit Breakers

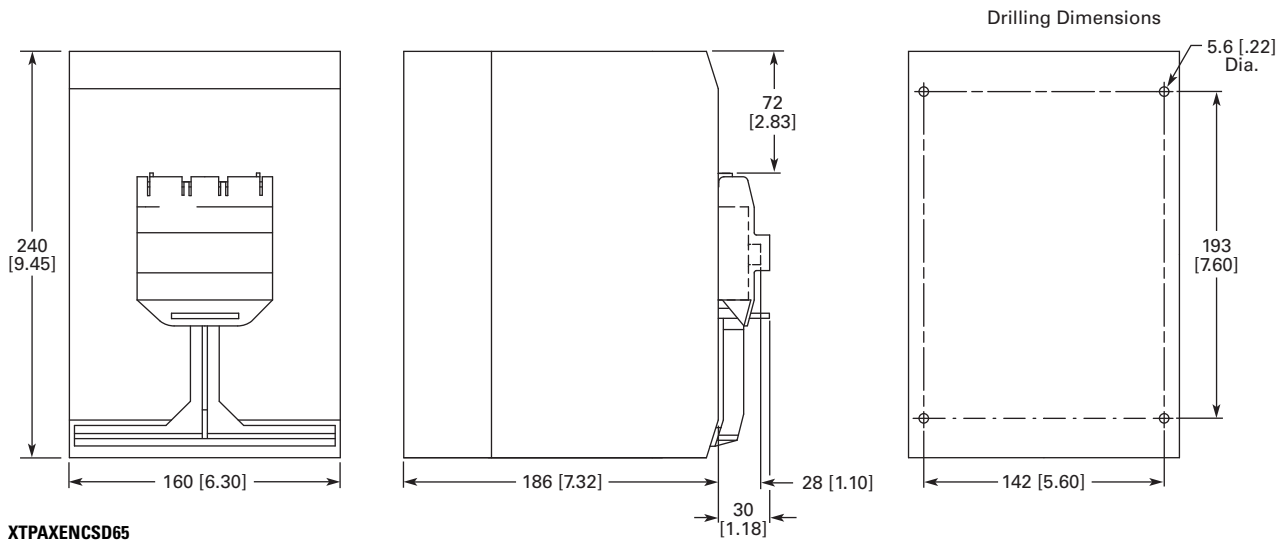
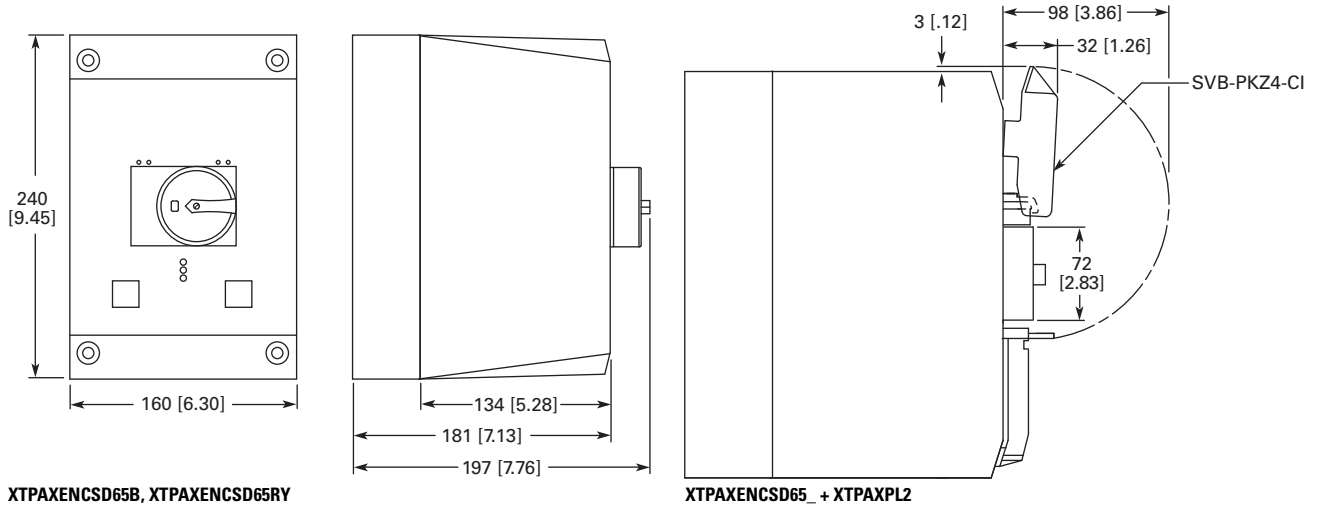
| Degree of Protection | For Use with... | Description | Catalog Number |
|-------------------------------|--|--|-----------------------|
| IP65 NEMA 1, 12, 3R, 4X | Frame D XTPR only or with: XTPAXFA_, XTPAXFAEM20, XTPAXSA_, XTPAXSATR_, XTPAXUVR_, XTPAXSR_, XTPAXCL | With black/grey rotary handle | XTPAXENCSD65B |
| | | With red/yellow rotary handle for use as emergency-stop switches to IEC/EN 60204 | XTPAXENCSD65RY |

Notes

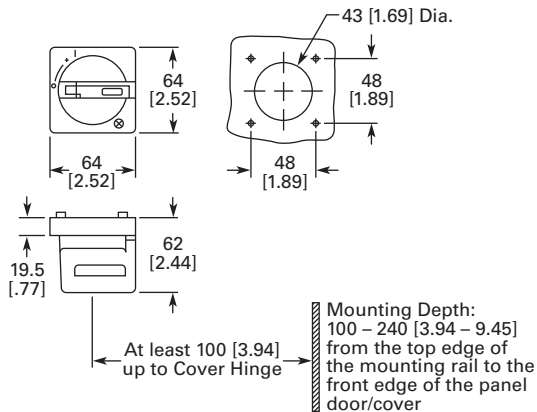
- ① Built-in N and PE terminal, lower part without knockouts.
- ② Integrated terminal for PE(N) connection.

Approximate Dimensions in mm [in]

Insulated Enclosures for Surface Mounting of XTPR...D Manual Motor Protectors



Rotary Handle Mechanism—XTPAXRHM_



Approximate Dimensions in mm [in]

Pushbutton MMP Enclosures**Insulated Enclosures for Surface Mounting****XTPB Pushbutton Motor-Protective Circuit Breakers**

| Catalog Number | H x W x D |
|----------------------|--|
| Global Usage | |
| XTPBXENC540 | 158 x 80 x 116.5 [6.22 x 3.15 x 4.59] |
| XTPBXENC65 | 158 x 80 x 116.5 [6.22 x 3.15 x 4.59] |
| XTPBXENC5L065 | 158 x 80 x 129.5 [6.22 x 3.15 x 5.10] |
| XTPBXENC5LE65 | 158 x 80 x 129.5 [6.22 x 3.15 x 5.10] |
| XTPBXENC5ES65 | 158 x 80 x 177.2 [6.22 x 3.15 x 6.98] |
| XTPBXENC5EK65 | 158 x 80 x 177.2 [6.22 x 3.15 x 6.98] |

XTPB Pushbutton Manual Motor Protectors

| Catalog Number | H x W x D |
|-----------------------------|--|
| North American Usage | |
| XTPBXENAS41 | 158 x 80 x 116.5 [6.22 x 3.15 x 4.59] |
| XTPBXENAS65 | 158 x 80 x 116.5 [6.22 x 3.15 x 4.59] |
| XTPBXENASL065 | 158 x 80 x 129.5 [6.22 x 3.15 x 5.10] |
| XTPBXENASLE65 | 158 x 80 x 129.5 [6.22 x 3.15 x 5.10] |
| XTPBXENASES65 | 158 x 80 x 177.2 [6.22 x 3.15 x 6.98] |
| XTPBXENASEK65 | 158 x 80 x 177.2 [6.22 x 3.15 x 6.98] |

Frame B (0.1–32A) XTPR Motor-Protective Circuit Breakers

| Catalog Number | H x W x D |
|---------------------|--|
| Global Usage | |
| XTPAXENC541 | 160 x 100 x 104 [6.30 x 3.94 x 4.09] |
| XTPAXENC65B | 160 x 100 x 130 [6.30 x 3.94 x 5.12] |
| XTPAXENC65RY | 160 x 100 x 130 [6.30 x 3.94 x 5.12] |
| XTPAXENC540 | 158 x 80 x 100 [6.22 x 3.15 x 3.94] |
| XTPAXENC55B | 158 x 80 x 125.5 [6.22 x 3.15 x 4.94] |
| XTPAXENC55RY | 158 x 80 x 125.5 [6.22 x 3.15 x 4.94] |

Frame B (0.1–32A) XTPR Rotary Manual Motor Protectors

| Catalog Number | H x W x D |
|-----------------------------|---|
| North American Usage | |
| XTPAXENAS55B | 160 x 100 x 130 [6.30 x 3.94 x 5.12] |
| XTPAXENAS55RY | 160 x 100 x 130 [6.30 x 3.94 x 5.12] |

Frame B XTPR (0.1–32A) Rotary Motor-Protective Circuit Breakers with XTPAXFAEM20 Early-Make Front-Mount Auxiliary Contact

| Catalog Number | H x W x D |
|------------------------|---|
| Global Usage | |
| XTPAXENCSEM65B | 160 x 100 x 130 [6.30 x 3.94 x 5.12] |
| XTPAXENCSEM65RY | 160 x 100 x 130 [6.30 x 3.94 x 5.12] |
| XTPAXENCSEM55B | 158 x 80 x 100 [6.22 x 3.15 x 3.94] |
| XTPAXENCSEM55RY | 158 x 80 x 100 [6.22 x 3.15 x 3.94] |

Frame B XTPR (0.1–32A) Rotary Manual Motor Protectors with XTPAXFAEM20 Early-Make Front-Mount Auxiliary Contact

| Catalog Number | H x W x D |
|-----------------------------|---|
| North American Usage | |
| XTPAXENCSEM55B | 160 x 100 x 130 [6.30 x 3.94 x 5.12] |
| XTPAXENCSEM55RY | 160 x 100 x 130 [6.30 x 3.94 x 5.12] |

Frame D (10–65A) Rotary Motor-Protective Circuit Breakers

| Catalog Number | H x W x D |
|--|---|
| Global and North American Usage | |
| XTPAXENCSD65B | 240 x 160 x 197 [9.45 x 6.30 x 7.76] |
| XTPAXENCSD65RY | 240 x 160 x 197 [9.45 x 6.30 x 7.76] |

Insulated Enclosures for Flush Mounting**XTPB Pushbutton Manual Motor Protectors**

| Catalog Number | H x W x D |
|--|--|
| Global and North American Usage | |
| XTPBXENC40 | 129 x 90.2 x 115.2 [5.08 x 3.55 x 4.54] |
| XTPBXENC55 | 129 x 90.2 x 115.2 [5.08 x 3.55 x 4.54] |
| XTPBXENC5FLO55 | 129 x 90.2 x 115.2 [5.08 x 3.55 x 4.54] |
| XTPBXENC5FLE55 | 129 x 90.2 x 115.2 [5.08 x 3.55 x 4.54] |
| XTPBXENC5FES55 | 129 x 90.2 x 175.9 [5.08 x 3.55 x 6.93] |
| XTPBXENC5FEK55 | 129 x 90.2 x 175.9 [5.08 x 3.55 x 6.93] |

Frame B (0.1–32A) XTPR Rotary Manual Motor Protectors

| Catalog Number | H x W x D |
|---------------------|--|
| Global Usage | |
| XTPAXENC40 | 129 x 85 x 96 [5.08 x 3.35 x 3.78] |
| XTPAXENC55B | 129 x 85 x 124 [5.08 x 3.35 x 4.88] |
| XTPAXENC55RY | 129 x 85 x 124 [5.08 x 3.35 x 4.88] |



Insulated Enclosures for Surface Mounting of Frame B XTPR (0.1–32A) Rotary Manual Motor Protectors with XTPAXFAEM20 Early-Make Front-Mount Auxiliary Contact—North American Usage ^①

| Degree of Protection | For Use with... | Description | Catalog Number |
|------------------------|---|--|------------------------|
| IP55 NEMA 1, 12, 3R | Frame B XTPR only or with: XTPAXSA_, XTPAXUVR_, XTPAXCL | With black/grey rotary handle | XTPAXENASEM55B |
| | | With red/yellow rotary handle for use as emergency-stop switch to VDE 0113 | XTPAXENASEM55RY |

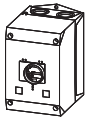
Insulated Enclosures for Flush Mounting of Frame B (0.1–32A) XTPR Rotary Manual Motor Protectors—Global Usage ^②



| Degree of Protection | For Use with... | Description | Catalog Number |
|----------------------|---|---|--------------------|
| Front IP40 | Frame B XTPR only or with: XTPAXSA_, XTPAXUVR_, XTPAXSR_, XTPAXCL | Cover with aperture dimensioned to accommodate front of MMP | XTPAXENCF40 |



| | | | |
|------------|--|--|----------------------|
| Front IP55 | Frame B XTPR only or with: XTPAXSA_, XTPAXUVR_, XTPAXSR_, XTPAXFA_, XTPAXCL | With black/grey rotary handle | XTPAXENCF55B |
| | | With red/yellow rotary handle for use as emergency-stop switches to IEC/EN 60204 | XTPAXENCF55RY |



Insulated Enclosures for Surface Mounting of Frame D (10–65A) Rotary Motor-Protective Circuit Breakers

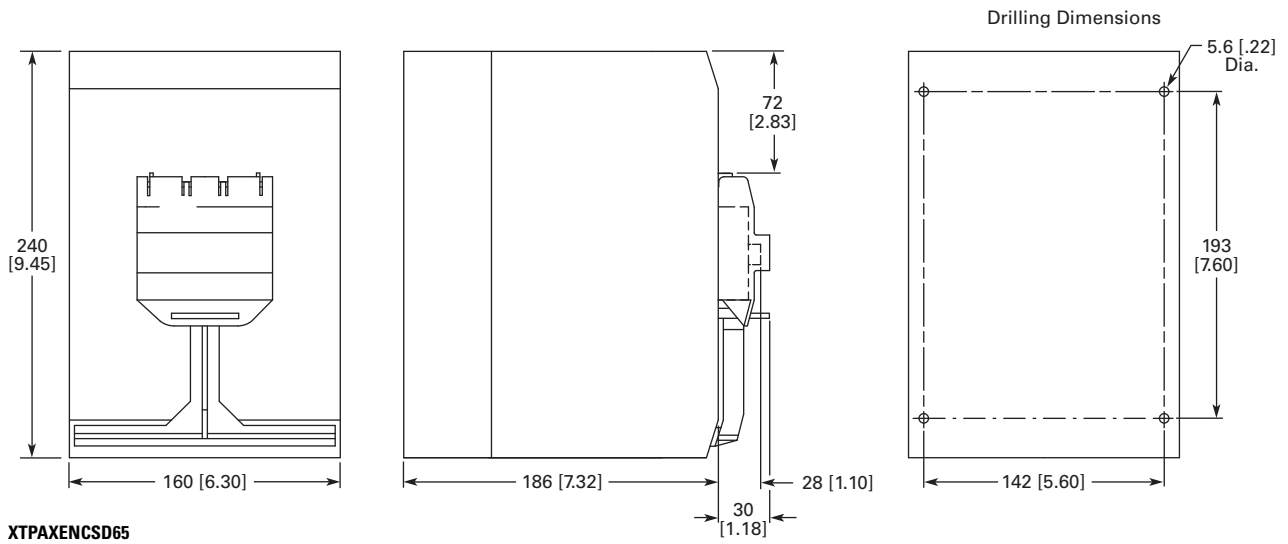
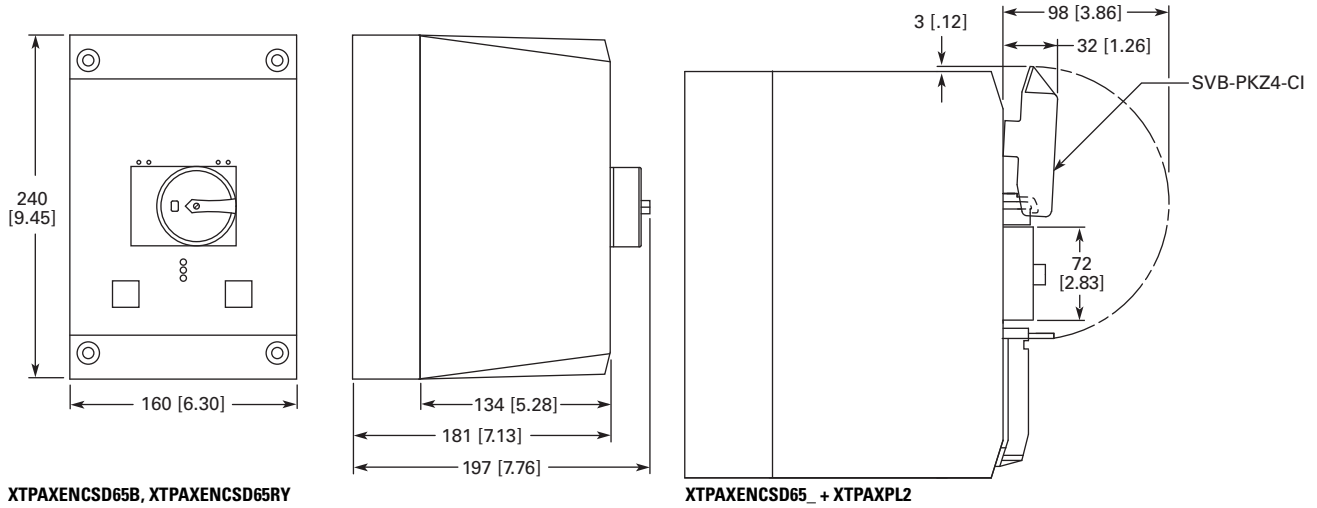
| Degree of Protection | For Use with... | Description | Catalog Number |
|-------------------------------|--|--|-----------------------|
| IP65 NEMA 1, 12, 3R, 4X | Frame D XTPR only or with: XTPAXFA_, XTPAXFAEM20, XTPAXSA_, XTPAXSATR_, XTPAXUVR_, XTPAXSR_, XTPAXCL | With black/grey rotary handle | XTPAXENCSD65B |
| | | With red/yellow rotary handle for use as emergency-stop switches to IEC/EN 60204 | XTPAXENCSD65RY |

Notes

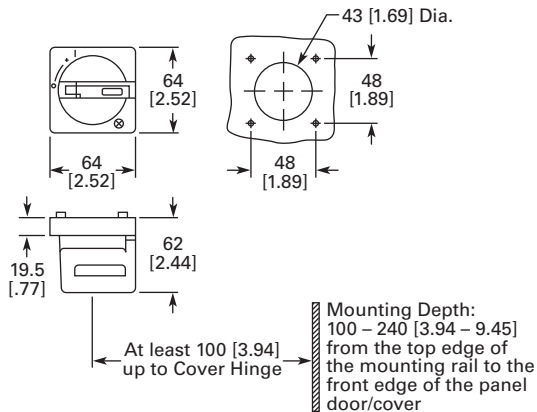
- ① Built-in N and PE terminal, lower part without knockouts.
- ② Integrated terminal for PE(N) connection.

Approximate Dimensions in mm [in]

Insulated Enclosures for Surface Mounting of XTPR...D Manual Motor Protectors



Rotary Handle Mechanism—XTPAXRHM_



Approximate Dimensions in mm [in]

Pushbutton MMP Enclosures**Insulated Enclosures for Surface Mounting****XTPB Pushbutton Motor-Protective Circuit Breakers**

| Catalog Number | H x W x D |
|----------------------|--|
| Global Usage | |
| XTPBXENC540 | 158 x 80 x 116.5 [6.22 x 3.15 x 4.59] |
| XTPBXENC65 | 158 x 80 x 116.5 [6.22 x 3.15 x 4.59] |
| XTPBXENC5L065 | 158 x 80 x 129.5 [6.22 x 3.15 x 5.10] |
| XTPBXENC5LE65 | 158 x 80 x 129.5 [6.22 x 3.15 x 5.10] |
| XTPBXENC5ES65 | 158 x 80 x 177.2 [6.22 x 3.15 x 6.98] |
| XTPBXENC5EK65 | 158 x 80 x 177.2 [6.22 x 3.15 x 6.98] |

XTPB Pushbutton Manual Motor Protectors

| Catalog Number | H x W x D |
|-----------------------------|--|
| North American Usage | |
| XTPBXENAS41 | 158 x 80 x 116.5 [6.22 x 3.15 x 4.59] |
| XTPBXENAS65 | 158 x 80 x 116.5 [6.22 x 3.15 x 4.59] |
| XTPBXENASL065 | 158 x 80 x 129.5 [6.22 x 3.15 x 5.10] |
| XTPBXENASLE65 | 158 x 80 x 129.5 [6.22 x 3.15 x 5.10] |
| XTPBXENASES65 | 158 x 80 x 177.2 [6.22 x 3.15 x 6.98] |
| XTPBXENASEK65 | 158 x 80 x 177.2 [6.22 x 3.15 x 6.98] |

Frame B (0.1–32A) XTPR Motor-Protective Circuit Breakers

| Catalog Number | H x W x D |
|---------------------|--|
| Global Usage | |
| XTPAXENC541 | 160 x 100 x 104 [6.30 x 3.94 x 4.09] |
| XTPAXENC65B | 160 x 100 x 130 [6.30 x 3.94 x 5.12] |
| XTPAXENC65RY | 160 x 100 x 130 [6.30 x 3.94 x 5.12] |
| XTPAXENC540 | 158 x 80 x 100 [6.22 x 3.15 x 3.94] |
| XTPAXENC55B | 158 x 80 x 125.5 [6.22 x 3.15 x 4.94] |
| XTPAXENC55RY | 158 x 80 x 125.5 [6.22 x 3.15 x 4.94] |

Frame B (0.1–32A) XTPR Rotary Manual Motor Protectors

| Catalog Number | H x W x D |
|-----------------------------|---|
| North American Usage | |
| XTPAXENAS55B | 160 x 100 x 130 [6.30 x 3.94 x 5.12] |
| XTPAXENAS55RY | 160 x 100 x 130 [6.30 x 3.94 x 5.12] |

Frame B XTPR (0.1–32A) Rotary Motor-Protective Circuit Breakers with XTPAXFAEM20 Early-Make Front-Mount Auxiliary Contact

| Catalog Number | H x W x D |
|------------------------|---|
| Global Usage | |
| XTPAXENCSEM65B | 160 x 100 x 130 [6.30 x 3.94 x 5.12] |
| XTPAXENCSEM65RY | 160 x 100 x 130 [6.30 x 3.94 x 5.12] |
| XTPAXENCSEM55B | 158 x 80 x 100 [6.22 x 3.15 x 3.94] |
| XTPAXENCSEM55RY | 158 x 80 x 100 [6.22 x 3.15 x 3.94] |

Frame B XTPR (0.1–32A) Rotary Manual Motor Protectors with XTPAXFAEM20 Early-Make Front-Mount Auxiliary Contact

| Catalog Number | H x W x D |
|-----------------------------|---|
| North American Usage | |
| XTPAXENCSEM55B | 160 x 100 x 130 [6.30 x 3.94 x 5.12] |
| XTPAXENCSEM55RY | 160 x 100 x 130 [6.30 x 3.94 x 5.12] |

Frame D (10–65A) Rotary Motor-Protective Circuit Breakers

| Catalog Number | H x W x D |
|--|---|
| Global and North American Usage | |
| XTPAXENCSD65B | 240 x 160 x 197 [9.45 x 6.30 x 7.76] |
| XTPAXENCSD65RY | 240 x 160 x 197 [9.45 x 6.30 x 7.76] |

Insulated Enclosures for Flush Mounting**XTPB Pushbutton Manual Motor Protectors**

| Catalog Number | H x W x D |
|--|--|
| Global and North American Usage | |
| XTPBXENC40 | 129 x 90.2 x 115.2 [5.08 x 3.55 x 4.54] |
| XTPBXENC55 | 129 x 90.2 x 115.2 [5.08 x 3.55 x 4.54] |
| XTPBXENC5FLO55 | 129 x 90.2 x 115.2 [5.08 x 3.55 x 4.54] |
| XTPBXENC5FLE55 | 129 x 90.2 x 115.2 [5.08 x 3.55 x 4.54] |
| XTPBXENC5FES55 | 129 x 90.2 x 175.9 [5.08 x 3.55 x 6.93] |
| XTPBXENC5FEK55 | 129 x 90.2 x 175.9 [5.08 x 3.55 x 6.93] |

Frame B (0.1–32A) XTPR Rotary Manual Motor Protectors

| Catalog Number | H x W x D |
|---------------------|--|
| Global Usage | |
| XTPAXENC40 | 129 x 85 x 96 [5.08 x 3.35 x 3.78] |
| XTPAXENC55B | 129 x 85 x 124 [5.08 x 3.35 x 4.88] |
| XTPAXENC55RY | 129 x 85 x 124 [5.08 x 3.35 x 4.88] |