

DRAWING NO.  
SD079848

REV	DATE	DESCRIPTION	ECO	BY	C'H'K.
E	05/19/2014 00:00:00 AM	NOTE ADDED AS PER ECO W4949	36169	AD	BSB

CATALOG NUMBER	STRANDED COPPER CONDUCTOR ACCOMMODATED			BOLT SIZE	METRIC BOLT SIZE	DIMENSIONS							
	CODE (AWG)	NAVY	METRIC SIZE (CLASS 2)			B	C	K DIA.	L	N	O.D.	T REF.	Z MIN.
YA25L2	#1/0 AWG	100	-----	1/4	M6	.88 [22]	.75 [19]	.27 [7]	1.84 [47]	.25 [6]	.51 [13]	.12 [3]	.33 [8]
YA25L				5/16	M8	↑	↑	.33 [8]	1.96 [50]	.34 [9]	↑	↑	↑
YA25L4				3/8	M10	↓	↓	.41 [10]	2.09 [53]	.41 [10]	↓	↓	↓
YA25L6				1/2	M12	.88 [22]	.75 [19]	.53 [13]	2.34 [59]	.53 [13]	.51 [13]	.12 [3]	.33 [8]

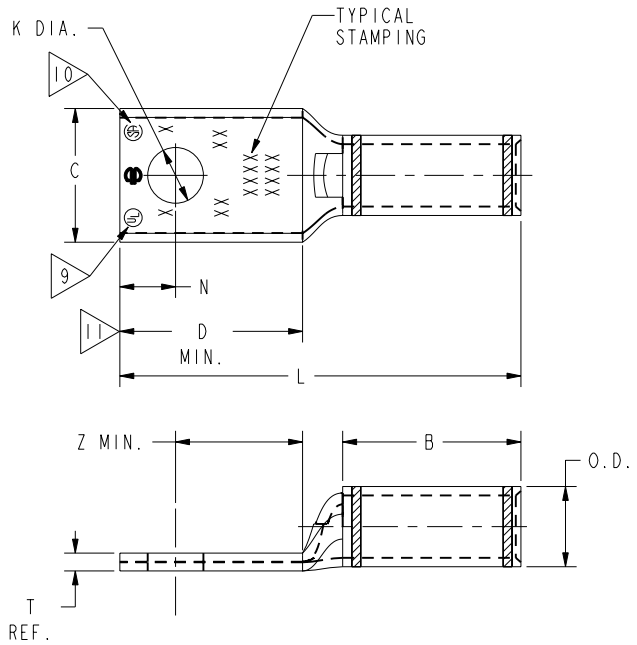
CONNECTOR SIZE	TOLERANCES					
	B	C	K DIA.	L	N	O.D.
-8C THRU -25	±.06	±.04	±.02	±.09	±.03	±.01
-26 THRU -34	±.08	±.04	±.02	±.12	±.03	±.01
-35 AND UP	±.09	±.06	±.02	±.15	±.06	±.01

TOLERANCE BLOCK

INSTALLATION TOOLING (# CRIMPS)															
CATALOG NO.	COLOR CODE	DIE INFORMATION			MECHANICAL				HYDRAULIC				DIELESS (# CRIMPS)	WIRE STRIP LENGTH	
		DIE INDEX	TYPE	YIMRTC	OUR840	MD6 MD7	MD6--R2 MD7-34R	Y500CT PATMD6 PAT600	Y34A Y34B Y34BH	Y35, Y39, Y750 BAT750, BAT35 PAT750	Y46 PAT46	Y45			Y48B
YA25L2	PINK	12 348	PINK DIE SET	-----	X25CRT(2)	X25RT(2) W25RT(2) W25VT(2)	X25RT(2) W25RT(2) W25VT(2)	X25RT(2) W25RT(2) W25VT(2)	A25R(1)	U25RT(1) U2CABT(1)	U25RT(1) U2CABT(1)	U25RT(1) U2CABT(1)			MECHANICAL MY29-3(1) MY29-11(1) MRC840 (2)
YA25L			NEST						A25D(1) B25D(1)	U25D-1(1)	U25D-1(1)	U25D-1(1)			15/16"
YA25L4															
YA25L6			INDENTOR							Y34PR	Y34PR	Y34PR	Y34PR		

NOTES:

- MATERIAL: COPPER TUBING.
- FINISH: TIN PLATED.  
"FOR ALTERNATIVE FINISH ADD ONE OF THE FOLLOWING SUFFIXES:  
NICKEL = NK, LEAD = LD, BARE = BR"
- CATALOG # PT6515 ADAPTOR IS REQUIRED TO USE "U" DIES IN Y45 SERIES TOOLS.
- CATALOG # PUADP-1 ADAPTOR IS REQUIRED TO USE "U" DIES IN Y46 SERIES TOOLS.
- Y35P3 INDENTOR ADAPTOR REQUIRED FOR Y34PR INDENTOR.
- PERMANENT DIE IN TOOLING.
- DIMENSIONS IN BRACKETS [ ] ARE IN MILLIMETERS ROUNDED OFF TO THE NEAREST MILLIMETER, UNLESS OTHERWISE NOTED, AND ARE FOR REFERENCE ONLY.
- FOR USE BY CUSTOMERS THAT HAVE THIS HYPRESS™. NO NEW Y34A HYPRESS™ TOOLS ARE BEING PROCESSED. Y34A USES A--D NEST DIES ONLY.
- CONNECTORS ARE UL LISTED; UNDRILLED VERSIONS ARE NOT UL LISTED.
- CONNECTORS ARE CSA CERTIFIED. UNDRILLED VERSIONS ARE NOT CSA CERTIFIED.
- FOR UNDRILLED VERSIONS ADD SUFFIX "-U" TO END OF CATALOG NUMBER.  
FOR UNDRILLED VERSIONS, USE D MIN. = N MAX. + Z MIN.
- "X", "W-RT", "W-VT", "U" & "L" DIE SETS ARE COLOR CODED. "A", "B" AND "C" DIES ARE NOT COLOR CODED. NESTS AND INDENTOR TYPE ARE NOT COLOR CODED.



REFERENCE: SE209240

TO ORDER BURNDY® PRODUCTS CALL		COPPER HYLUG™	
UNITED STATES 1-800-346-4175 (LONDONDERRY, NH)		ITEM NO: N/A	CAT. NO: YA-L, YA-L-TC-
CANADA: 1-800-361-6975 (QUEBEC) 1-800-387-6487 (ALL OTHER PROVINCES)		DRAWN BY: R.NARESH 4/06/05	CHECKER: K.BABU 4/06/05
FOR PRODUCT INFO: <a href="http://www.burndy.com">http://www.burndy.com</a>		DSN APPVL: --	MFG APPVL: --
		QA APPVL: --	MKT APPVL: --
		PROJ #:	SCALE: 1:1
		DOCUMENT TYPE: Sales	DRAWING NO: SD079848
		REL LEVEL: Released	SHEET 8 OF 17

REV: PE0200