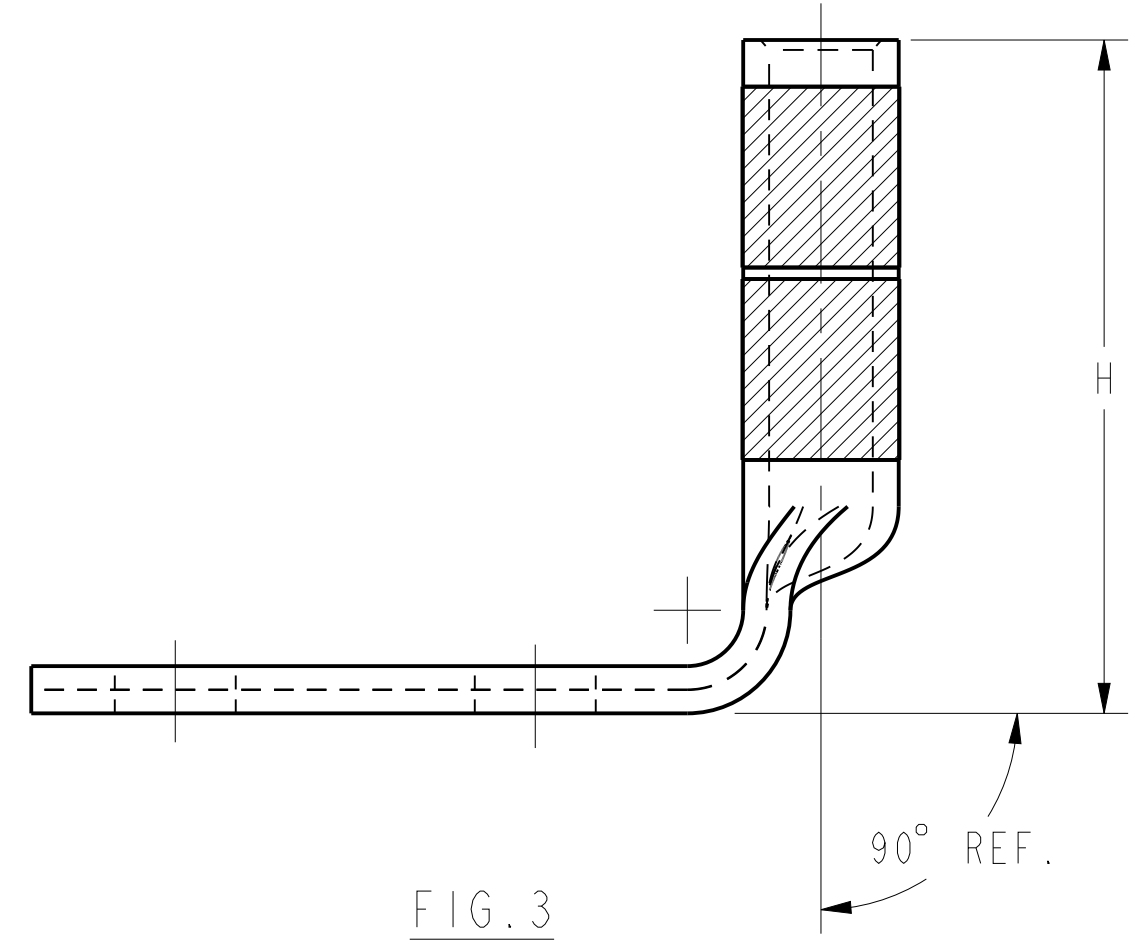
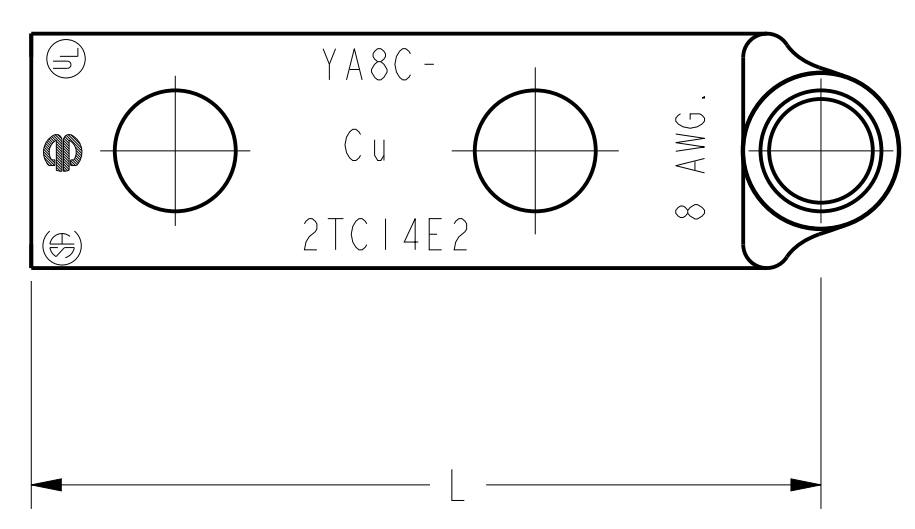
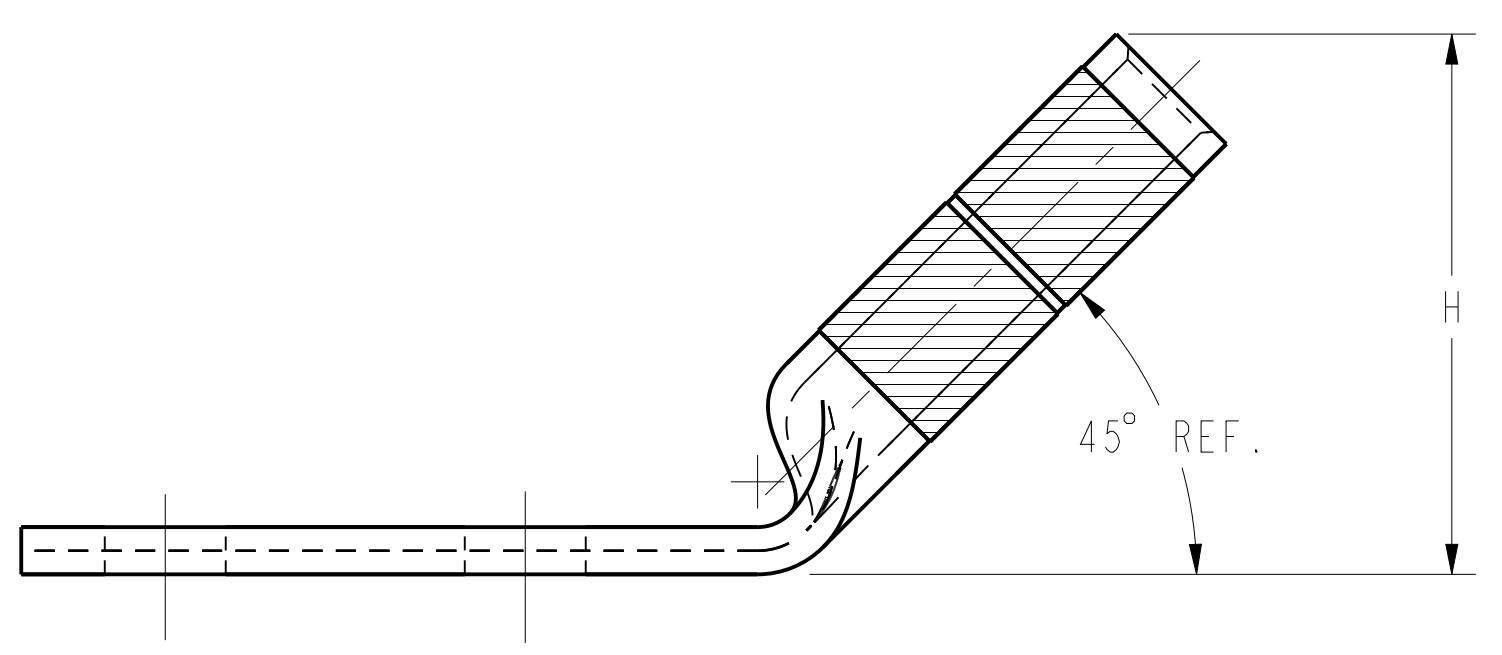
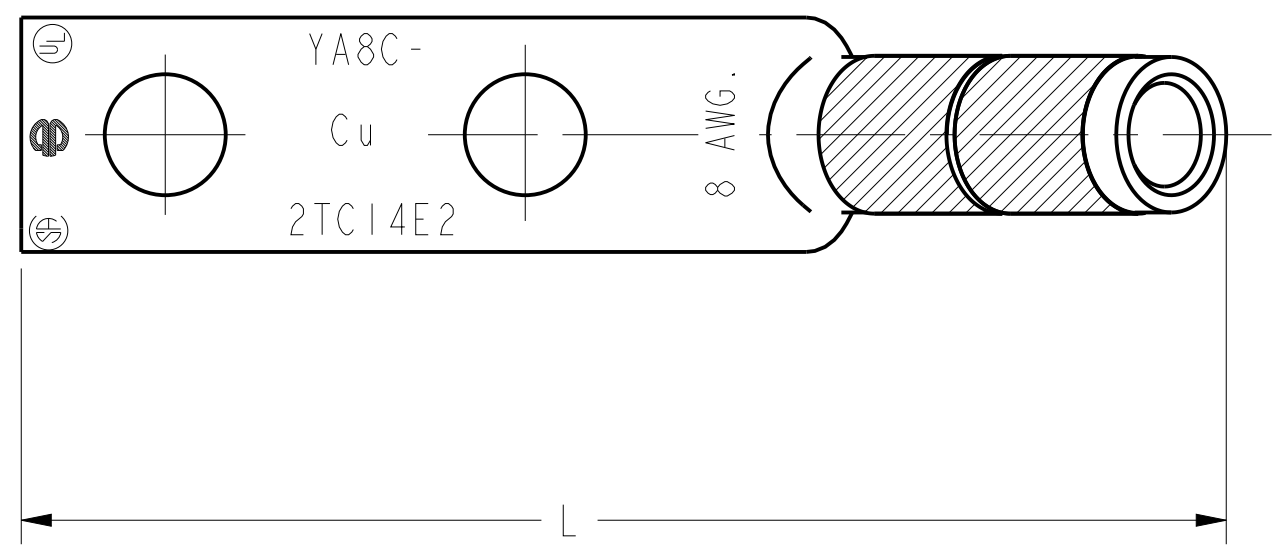
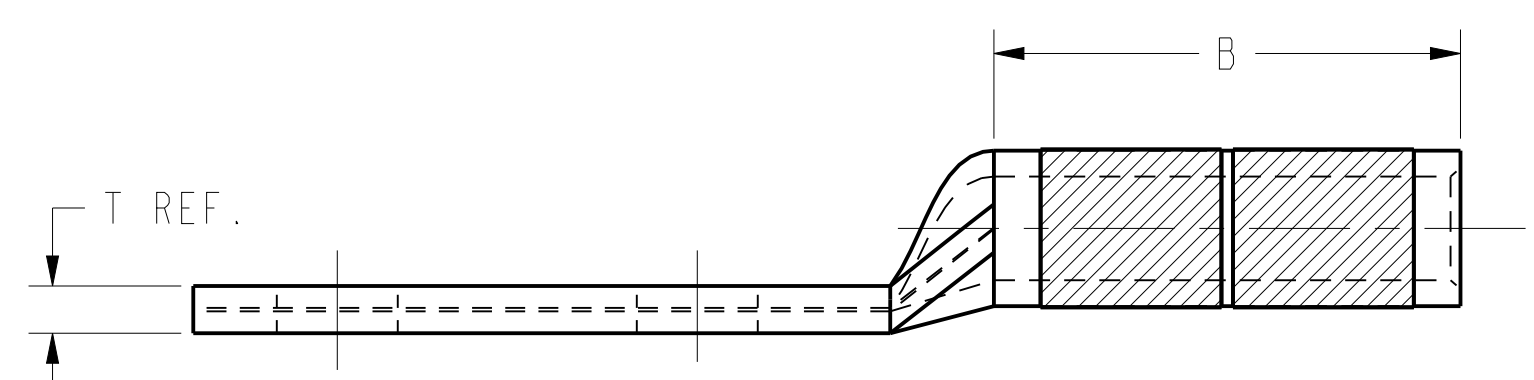
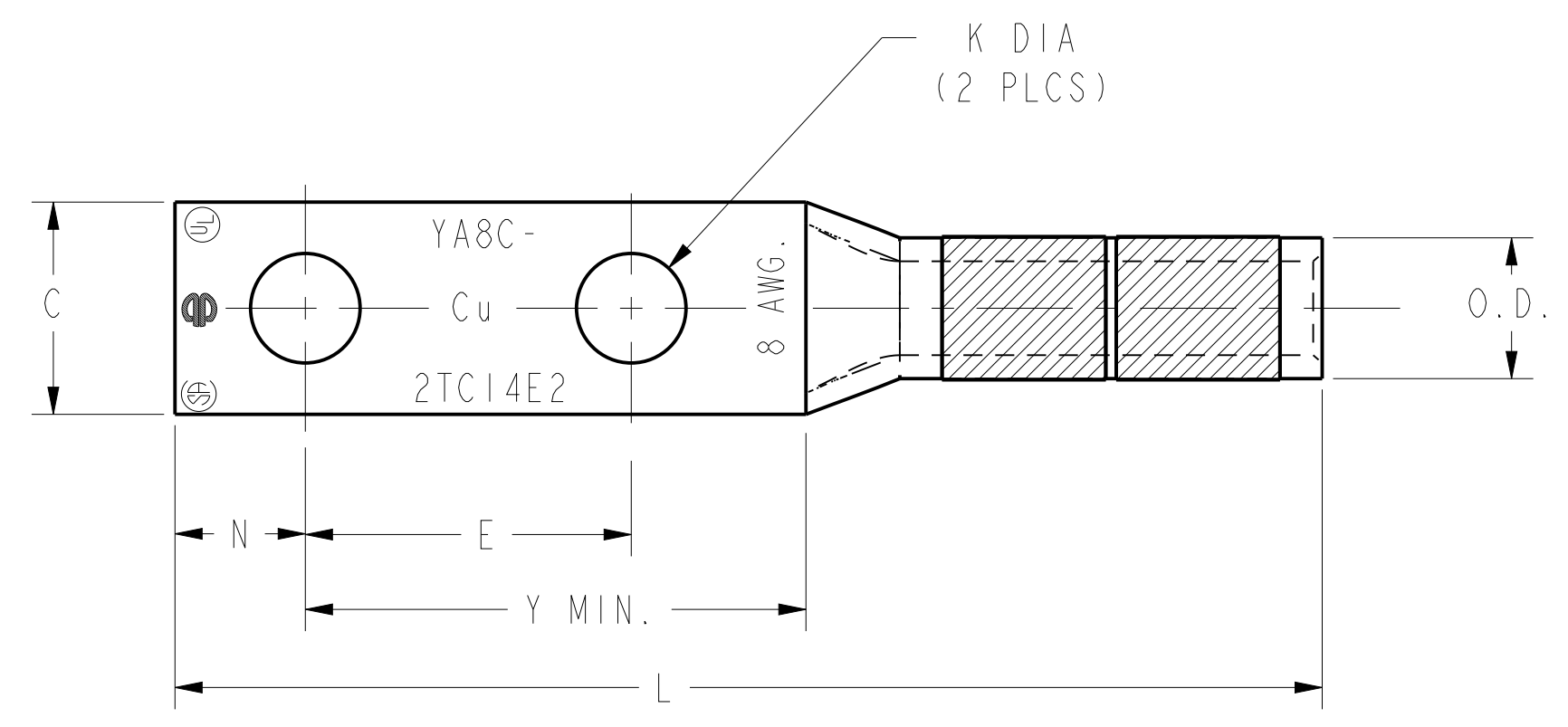


REV	DATE	DESCRIPTION	ECO	BY	C'H'K.
L	01/27/2016 00:00:00 AM	ADDED NOTE 14	42734	SPR	DD

CONNECTOR SIZE	TOLERANCES						
	B	C	E	K DIA.	L	N	O.D.
-6C	±.03	+0.04 -.02	±.02	±.02	±.06	±.04	±.01
-8C THRU -25	±.06	±.04	±.02	±.02	±.09	±.04	±.01
-26 THRU -34	±.08	±.04	±.02	±.02	±.12	±.04	±.01
-35 AND UP	±.09	±.06	±.02	±.02	±.15	±.06	±.01



- NOTES:
1. MATERIAL : COPPER TUBING.
 2. FINISH: TIN PLATED.
 3. CATALOG # PT6515 ADAPTOR IS REQUIRED TO USE "U" DIES IN Y45 SERIES TOOLS.
 4. CATALOG # PUADP-1 ADAPTOR IS REQUIRED TO USE "U" DIES IN Y46 SERIES TOOLS.
 5. NAVY CABLE SIZE MAY BE OMITTED ON SOME SIZES BECAUSE OF SPACE LIMITATIONS.
 6. PERMANENT DIE IN TOOLING.
 7. DIMENSIONS IN BRACKETS [] ARE IN MILLIMETERS ROUNDED OFF TO THE NEAREST MILLIMETER, UNLESS OTHERWISE NOTED, AND ARE FOR REFERENCE ONLY.
 8. FOR USE BY CUSTOMERS THAT HAVE THIS HYPRESS™. NO NEW Y34 HYPRESSES™ TOOLS ARE BEING PROCESSED.
 9. OVERLAPPING CRIMPS ARE REQUIRED ON THESE SIZES.
 10. UL LISTED AND CSA CERTIFIED WIRE CONNECTORS.
 11. DO NOT USE PAT644 OR Y644 TOOLING WITH 6 AWG SOL.
 12. THESE CATALOG NUMBERS CANNOT BE INSTALLED WITH U8CRT DIE.
 13. THESE CATALOG NUMBERS CANNOT BE INSTALLED WITH Y45 OR Y46 TOOLING.
 14. THESE CATALOG NUMBERS CANNOT BE INSTALLED WITH Y45 TOOLING.

TO ORDER BURNDY® PRODUCTS CALL UNITED STATES 1-800-346-4175 (LONDONDERRY, NH) CANADA: 1-800-361-6975 (QUEBEC) 1-800-387-6487 (ALL OTHER PROVINCES) FOR PRODUCT INFO: http://www.burndy.com		HYLUG™	
		ITEM NO: N/A	CAT. NO: YA-2TC- (TABLE)
DRAWN BY: J. MICHAUD 11/8/93 CHECKER: R. ROBICHEAU 1/10/94 DSN APPVL: C. PALAGI 1/12/94 MFG APPVL: N/A QA APPVL: A. LLOYD 1/24/94 MKT APPVL: G. GORDON 1/20/94 PROD FAM: CM&R COMPRESSION PROJECT #: -- DOCUMENT TYPE: Sales REL LEVEL: Released		SCALE: NTS	
		DRAWING NO	
		REV	
		SIZE	
		SE208777	
		SHEET 1 OF 20	
		L	

REV	DATE	DESCRIPTION	ECO	BY	C'HECK
L	01/27/2016 00:00:00 AM	ADDED NOTE 14	42734	SPR	DD

D	CATALOG NO.	FIG. NO.	CONDUCTOR		BOLT SIZE	DIMENSIONS								INSTALLATION TOOLING (# CRIMPS)								WIRE STRIP LENGTH							
			CODE (AWG)	NAVY		B	C	E	H	K	L	N	O.D.	T REF.	Y MIN.	DIE INDEX	COLOR CODE	MECHANICAL			HYDRAULIC			DIELESS (# CRIMPS)					
						MD7-34R MD6	OUR840	Y8MRB-1 Y1MRTC Y122CMR	Y500CT PAT600	Y750, Y35 Y39, PAT750	Y46 PAT46	Y45																	
YA8C2TC10	1		#8 STR #8 SOL #8 FLEX CLASS G, H, I, K, M DLO (37/24) #6 SOL	23	#10 [M5]	.81 [21]		.62 [16]	-		2.20 [56]		.27 [7]	.08 [2]		49	RED	W8CRT (1) W8CVT (1)	X8CRT (1) W8CVT (1)	RED (2)	W8CRT (1) W8CVT (1)	U8CRT (1)	U8CRT (1)	U8CRT (1)	MECHANICAL: MY29-11 (1)	7/8			
YA8C2TC1045	2					.41 [10]		.94 [24]	.21 [5]	2.09 [53]	.25 [6]																		
YA8C2TC1090	3	12								1.17 [30]		1.37 [35]																	
YA8C2TC14	1							1/4 [M6]	.44 [11]		.62 [16]		1.16 [30]	.27 [7]	2.33 [59]	.31 [8]													
YA8C2TC1445	2									.94 [24]		1.49 [38]		2.20 [56]															
YA8C2TC1490	3	12									1.16 [30]		1.49 [38]		2.20 [56]														
YA8C2TC14E2	1												2.45 [62]		2.33 [59]														
YA8C2TC14E245	2									.75 [19]	.94 [24]		2.33 [59]		2.33 [59]		1.09 [28]												
YA8C2TC14E290	3	12									1.16 [30]		1.62 [41]		2.70 [69]	.31 [8]	1.33 [34]												
YA8C2TC14E1	1								.44 [11]		1.00 [25]		2.70 [69]	.27 [7]	2.70 [69]	.31 [8]	1.33 [34]												
YA8C2TC38	1												2.89 [73]		2.89 [73]														
YA8C2TC3845	2							3/8 [M10]	.58 [15]		1.00 [25]	.93 [24]	2.72 [69]	.41 [10]	2.72 [69]	.41 [10]	1.43 [36]			W8CRT (1) W8CVT (1)	X8CRT (1) W8CVT (1)	RED (2)	W8CRT (1) W8CVT (1)	U8CRT (1)		U8CRT (1)	U8CRT (1)		
YA8C2TC3890	3	12		23		.81 [21]		1.00 [25]	1.12 [28]	2.05 [52]		2.05 [52]			49	RED	W8CRT (1) W8CVT (1)	X8CRT (1) W8CVT (1)	RED (2)	W8CRT (1) W8CVT (1)	U8CRT (1)	U8CRT (1)	U8CRT (1)		7/8				

SEE SHEET 1 OF 20 FOR VIEWS AND NOTE.

REV: PEO200	TO ORDER BURNDY® PRODUCTS CALL		HYLUG™	
	UNITED STATES		ITEM NO: N/A	
	1-800-346-4175 (LONDONDERRY, NH)		CAT. NO: YA-2TC- (TABLE)	
	CANADA:		DRAWN BY: J. MICHAUD 11/8/93	
	1-800-361-6975 (QUEBEC)		CHECKER: R. ROBICHEAU 1/10/94	
	1-800-387-6487 (ALL OTHER PROVINCES)		DSN APPVL: C. PALAGI 1/12/94	
FOR PRODUCT INFO: http://www.burndy.com		MFG APPVL: N/A --		
		GA APPVL: A. LLOYD 1/24/94		
		MKT APPVL: G. GORDON 1/20/94		
		SCALE: NTS		
		PROD FAM: CM&R COMPRESSION DRAWING NO REV		
		PROJECT #: -- SIZE		
		DOCUMENT TYPE: Sales		
		REL LEVEL: Released		
		SE208777 L		
		SHEET 2 OF 20		

CATALOG NO.	FIG. NO.	CONDUCTOR		BOLT SIZE	DIMENSIONS									INSTALLATION TOOLING (# CRIMPS)												
		CODE (AWG)	NAVY		B	C	E	H	K	L	N	O.D.	T REF.	Y MIN.	DIE INDEX	COLOR CODE	MECHANICAL			HYDRAULIC				DIELESS (# CRIMPS)	WIRE STRIP LENGTH	
																	MD7-34R MD6	OUR840	YIMRTC 6 Y122CMR	BCT500 Y500CT	Y34A 8	Y750,PAT750 Y35, Y39	Y46 4			Y45 3
YA6C2TC10	1	#6 STR	30	#10 [M5]	1.12 [28]	.42 [11]	.62 [16]	-	.21 [5]	2.53 [64]	.25 [6]	.29 [7]	.09 [2]	.90 [23]	7 OR 374	BLUE	W5CVT W5CRT (2)	W5CVT W5CRT (2)	BLUE (2)	W5CVT W5CRT (2)	A5CR (2)	U8CABT U5CRT (2)	U8CABT U5CRT (2)	U8CABT U5CRT (2)		1-3/16
YA6C2TC1045	2	#6 SOL		#10 [M5]						2.35 [60]																
YA6C2TC1090	3			#10 [M5]						1.40 [36]																
YA6C2TC10E2	1			#10 [M5]						-																
YA6C2TC10E245	2			#10 [M5]		.42 [11]	.75 [19]	1.19 [30]	.21 [5]	2.48 [63]	.25 [6]	.09 [2]	1.03 [26]													
YA6C2TC10E290	3			#10 [M5]				1.52 [39]		1.51 [38]																
YA6C2TC14	1			1/4 [M6]		.45 [11]	.62 [16]	1.19 [30]	.27 [7]	2.45 [62]	.31 [8]	.08 [2]	.96 [24]													
YA6C2TC1445	2			1/4 [M6]				1.50 [38]		1.51 [38]																
YA6C2TC1490	3			1/4 [M6]				-		3.03 [77]																
YA6C2TC14E1	1			1/4 [M6]		.45 [11]	1.00 [25]	1.19 [30]	.27 [7]	2.83 [72]	.31 [8]	.08 [2]	1.34 [34]													
YA6C2TC14E145	2			1/4 [M6]				1.50 [38]		1.88 [48]																
YA6C2TC14E190	3			1/4 [M6]				-		2.78 [71]																
YA6C2TC14E2	1			1/4 [M6]		.45 [11]	.75 [19]	1.19 [30]	.27 [7]	2.58 [66]	.31 [8]	.08 [2]	1.09 [28]													
YA6C2TC14E245	2			1/4 [M6]				1.50 [38]		1.63 [41]																
YA6C2TC14E290	3			1/4 [M6]				-		2.97 [75]																
YA6C2TC516E6	1			5/16 [M8]		.52 [13]	.88 [22]	1.18 [30]	.33 [8]	2.72 [69]	.34 [9]	.07 [2]	1.24 [31]													
YA6C2TC516E645	2			5/16 [M8]				1.48 [38]		1.81 [46]																
YA6C2TC516E690	3			5/16 [M8]				-		3.22 [82]																
YA6C2TC38	1			3/8 [M10]		.58 [15]	1.00 [25]	1.18 [30]	.41 [10]	2.97 [75]	.41 [10]	.06 [2]	1.43 [36]													
YA6C2TC3845	2			3/8 [M10]				1.46 [37]		2.06 [52]																
YA6C2TC3890	3			3/8 [M10]				-		2.97 [75]																
YA6C2TC38E2	1			3/8 [M10]			.75 [19]	1.18 [30]		2.72 [69]			1.18 [30]													
YA6C2TC38E245	2			3/8 [M10]				1.46 [37]		1.81 [46]																
YA6C2TC38E290	3			3/8 [M10]				-		3.09 [78]																
YA6C2TC38E6	1			3/8 [M10]			.88 [22]	1.18 [30]		2.85 [72]			1.31 [33]													
YA6C2TC38E645	2			3/8 [M10]				1.46 [37]		1.94 [49]																
YA6C2TC38E690	3			3/8 [M10]				-		3.03 [77]																
YA6C2TC38E13	1	#6 STR	30	3/8 [M10]	1.12 [28]	.58 [15]	.81 [21]	1.18 [30]	.41 [10]	2.78 [71]	.41 [10]	.29 [7]	.06 [2]	1.24 [31]	7 OR 374	BLUE	W5CVT W5CRT (2)	W5CVT W5CRT (2)	BLUE (2)	W5CVT W5CRT (2)	A5CR (2)	U8CABT U5CRT (2)	U8CABT U5CRT (2)	U8CABT U5CRT (2)		1-3/16
YA6C2TC38E1345	2	#6 SOL		3/8 [M10]				1.46 [37]		1.87 [47]																
YA6C2TC38E1390	3			3/8 [M10]				-																		

SEE SHEET 1 OF 20 FOR VIEWS AND NOTES

TO ORDER BURNDY® PRODUCTS CALL
 UNITED STATES
 1-800-346-4175 (LONDONDERRY, NH)
 CANADA:
 1-800-361-6975 (QUEBEC)
 1-800-387-6487 (ALL OTHER PROVINCES)
 FOR PRODUCT INFO: <http://www.burndy.com>

HYLUG™
 ITEM NO: N/A
 CAT. NO: YA-2TC- (TABLE)
 DRAWN BY: J.MICHAUD 11/8/93
 CHECKER: R.ROBICHEAU 1/10/94
 DSN APPVL: C.PALAGI 1/12/94
 MFG APPVL: N/A --
 QA APPVL: A.LLOYD 1/24/94
 MKT APPVL: G.GORDON 1/10/94

SCALE: NTS
 PROD FAM: CM&R COMPRESSION
 DRAWING NO: SE208777
 PROJECT #: --
 DOCUMENT TYPE: Sales
 REL LEVEL: Released

REV L 01/27/2016 00:00:00 AM ADDED NOTE 14

REV	DATE	DESCRIPTION	ECO	BY	CHK.
L	01/27/2016 00:00:00 AM	ADDED NOTE 14	42734	SPR	DD

D	CATALOG NO.	FIG. NO.	CONDUCTOR		BOLT SIZE	DIMENSIONS								INSTALLATION TOOLING (# CRIMPS)														
			CODE (AWG)	NAVY		B	C	E	H	K	L	N	O.D.	T REF.	Y MIN.	DIE INDEX	COLOR CODE	MECHANICAL			HYDRAULIC				DIELESS (# CRIMPS)	WIRE STRIP LENGTH		
																		MD7-34R MD6	OUR840	Y1MRTG-6 Y122CMR	BCT500 Y500CT	Y34A-8	Y750,Y35 Y39 PAT750	Y46-4			Y45-3	
	YA4C2TC10	1	#4 AWG	40	#10	1.12 [28]	.50 [13]	.62 [16]	-	.21 [5]	2.58 [66]	.25 [6]	.34 [9]	.09 [2]	.90 [23]	8 OR 346	GRAY	W4CVT W4CRT (2)	W4CVT W4CRT (2)	GRAY (4)	W4CVT W4CRT (2)	A6CAB A4CR (2)	U6CABT U4CRT (2)	U6CABT U4CRT (2)	U6CABT U4CRT (2)	MECHANICAL: MY29-11 (1) HYDRAULIC: Y644, Y644M Y644MBH, BAT644M, PAT644M, Y1000 Y1000BH (1)	1-3/16	
	YA4C2TC1045	2	↑	↑	[M5]	↑	↑	↑	↑	↑	↑	↑	↑	↑	↑	↑	↑	↑	↑	↑	↑	↑	↑	↑	↑		↑	
	YA4C2TC1090	3	↑	↑																								
	YA4C2TC14	1	↑	↑	1/4																							
	YA4C2TC1445	2	↑	↑	[M6]																							
	YA4C2TC1490	3	↑	↑																								
	YA4C2TC14E2	1	↑	↑	1/4																							
C	YA4C2TC14E245	2	↑	↑	[M6]																							
	YA4C2TC14E290	3	↑	↑																								
	YA4C2TC14E1	1	↑	↑	1/4																							
	YA4C2TC14E145	2	↑	↑	[M6]																							
	YA4C2TC14E190	3	↑	↑																								
	YA4C2TC38	1	↑	↑	3/8																							
	YA4C2TC3845	2	↓	↓	[M8]	1.12 [28]	.58 [15]	1.00 [25]	-	.40 [10]	3.03 [77]	.41 [10]	.34 [9]	.08 [2]	1.43 [36]	8 OR 346	GRAY	W4CVT W4CRT (2)	W4CVT W4CRT (2)	GRAY (4)	W4CVT W4CRT (2)	A6CAB A4CR (2)	U6CABT U4CRT (2)	U6CABT U4CRT (2)	U6CABT U4CRT (2)		1-3/16	
	YA4C2TC3890	3	↓	↓																								

B

A

SEE SHEET 1 OF 20 FOR VIEWS & NOTES

TO ORDER BURNDY® PRODUCTS CALL		HYLUG™	
UNITED STATES 1-800-346-4175 (LONDONDERRY, NH)		ITEM NO: N/A	
CANADA: 1-800-361-6975 (QUEBEC) 1-800-387-6487 (ALL OTHER PROVINCES)		CAT. NO: YA4C-2TC- (TABLE)	
FOR PRODUCT INFO: http://www.burndy.com		DRAWN BY: J.MICHAUD 11/8/93	
		CHECKER: R.ROBICHEAU 1/10/94	
		DSN APPVL: C.PALAGI 1/12/94	
		MFG APPVL: N/A --	
		QA APPVL: A.LLOYD 1/24/94	
		MKT APPVL: G.GORDON 1/10/94	
		SCALE: NTS	
		PROD FAM: CM&R COMPRESSION	
		DRAWING NO	
		REV	
		PROJECT #: --	
		SIZE	
		DOCUMENT TYPE: Sales	
		REL LEVEL: Released	
		SE208777	
		L	
		SHEET 4 OF 20	

REV: PEO200

REV	DATE	DESCRIPTION	ECO	BY	C'H'K.
L	01/27/2016 00:00:00 AM	ADDED NOTE 14	42734	SPR	DD

D	CATALOG NO.	FIG. NO.	CONDUCTOR			BOLT SIZE	METRIC BOLT SIZE	DIMENSIONS								INSTALLATION TOOLING (# CRIMPS)										DIELESS (# CRIMPS)	WIRE STRIP LENGTH	D																							
			CODE (AWG)	NAVY	METRIC			B	C	E	H	K	L	N	O.D.	T REF.	Y MIN.	DIE INDEX	COLOR CODE	MECHANICAL			HYDRAULIC						DIELESS (# CRIMPS)	WIRE STRIP LENGTH	C																				
																				MD7-34R MD6	OUR840	YIMRTC Y122CMR	BCT500 Y500CT	Y34A	Y750, Y35 Y39							Y46	Y45	C																	
YA3C2TC38E2	1	#2 SOL	50	25mm ²	3/8	----	1.25 [32]	.58 [15]	.75 [19]	-	.40 [10]	3.18 [81]	.41 [10]	.38 [10]	.08 [2]	1.18 [30]	9	WHITE	W3CRT (2)	W3CRT (2)	WHITE (4)	W3CRT (2)	A3CR (2)	U3CRT (2)	U3CRT (2)	U3CRT (2)	MECHANICAL: MY29-11(1) HYDRAULIC: Y644, Y644M Y644MBH, BAT644M Y1000 Y1000BH(1)	1-5/16	B																						
YA3C2TC38E245	2	#3 AWG	↑	↑	↑	↑	↑	↑	↑	↑	↑	↑	↑	↑	↑	↑	↑	↑	↑	↑	↑	↑	↑	↑	↑	MECHANICAL: MY29-11(1) HYDRAULIC: Y644, Y644M Y644MBH, BAT644M Y1000 Y1000BH(1)				↑	B																				
YA3C2TC38E290	3	↑	↑	↑	↑	↑	↑	↑	↑	↑	↑	↑	↑	↑	↑	↑	↑	↑	↑	↑	↑	↑	↑	↑	MECHANICAL: MY29-11(1) HYDRAULIC: Y644, Y644M Y644MBH, BAT644M Y1000 Y1000BH(1)							↑	B																		
YA3C2TC38	1	↑	↑	↑	↑	↑	↑	↑	↑	↑	↑	↑	↑	↑	↑	↑	↑	↑	↑	↑	↑	↑	↑	↑										MECHANICAL: MY29-11(1) HYDRAULIC: Y644, Y644M Y644MBH, BAT644M Y1000 Y1000BH(1)	↑	B															
YA3C2TC3845	2	↑	↑	↑	↓	↓	↑	↑	↑	↑	↑	↑	↑	↑	↑	↑	↑	↑	↑	↑	↑	↑	↑	↑													MECHANICAL: MY29-11(1) HYDRAULIC: Y644, Y644M Y644MBH, BAT644M Y1000 Y1000BH(1)	↑	B												
YA3C2TC3890	3	↑	↑	↑	3/8	----	↑	↑	↑	↑	↑	↑	↑	↑	↑	↑	↑	↑	↑	↑	↑	↑	↑	↑																MECHANICAL: MY29-11(1) HYDRAULIC: Y644, Y644M Y644MBH, BAT644M Y1000 Y1000BH(1)	↑	B									
YA3C2TC14	1	↑	↑	↑	1/4	M6	↑	↑	↑	↑	↑	↑	↑	↑	↑	↑	↑	↑	↑	↑	↑	↑	↑	↑																			MECHANICAL: MY29-11(1) HYDRAULIC: Y644, Y644M Y644MBH, BAT644M Y1000 Y1000BH(1)	↑	B						
YA3C2TC1445	2	↑	↑	↑	1/4	M6	↑	↑	↑	↑	↑	↑	↑	↑	↑	↑	↑	↑	↑	↑	↑	↑	↑	↑																						MECHANICAL: MY29-11(1) HYDRAULIC: Y644, Y644M Y644MBH, BAT644M Y1000 Y1000BH(1)	↑	B			
YA3C2TC1490	3	↑	↑	↑	1/4	M6	↑	↑	↑	↑	↑	↑	↑	↑	↑	↑	↑	↑	↑	↑	↑	↑	↑	↑																									MECHANICAL: MY29-11(1) HYDRAULIC: Y644, Y644M Y644MBH, BAT644M Y1000 Y1000BH(1)	↑	B
YA3C2TC14E2	1	↑	↑	↑	1/4	M6	↑	↑	↑	↑	↑	↑	↑	↑	↑	↑	↑	↑	↑	↑	↑	↑	↑	↑																											
YA3C2TC14E245	2	↑	↑	↑	1/4	M6	↑	↑	↑	↑	↑	↑	↑	↑	↑	↑	↑	↑	↑	↑	↑	↑	↑	↑	↑	MECHANICAL: MY29-11(1) HYDRAULIC: Y644, Y644M Y644MBH, BAT644M Y1000 Y1000BH(1)	↑	B																							
YA3C2TC14E290	3	↑	↑	↑	1/4	M6	↑	↑	↑	↑	↑	↑	↑	↑	↑	↑	↑	↑	↑	↑	↑	↑	↑	↑	↑				MECHANICAL: MY29-11(1) HYDRAULIC: Y644, Y644M Y644MBH, BAT644M Y1000 Y1000BH(1)	↑	B																				
YA3C2TC14E1	1	↑	↑	↑	1/4	M6	↑	↑	↑	↑	↑	↑	↑	↑	↑	↑	↑	↑	↑	↑	↑	↑	↑	↑	↑	MECHANICAL: MY29-11(1) HYDRAULIC: Y644, Y644M Y644MBH, BAT644M Y1000 Y1000BH(1)	↑	B																							
YA3C2TC14E145	2	#3 AWG	↓	↓	1/4	M6	↓	↓	↓	↓	↓	↓	↓	↓	↓	↓	↓	↓	↓	↓	↓	↓	↓	↓	↓				MECHANICAL: MY29-11(1) HYDRAULIC: Y644, Y644M Y644MBH, BAT644M Y1000 Y1000BH(1)	↓	B																				
YA3C2TC14E190	3	#2 SOL	50	25mm ²	1/4	M6	1.25 [32]	.55 [14]	1.00 [25]	-	.27 [7]	3.00 [76]	.31 [8]	.38 [10]	.09 [2]	1.34 [34]	9	WHITE	W3CRT (2)	W3CRT (2)	WHITE (4)	W3CRT (2)	A3CR (2)	U3CRT (2)	U3CRT (2)	U3CRT (2)	MECHANICAL: MY29-11(1) HYDRAULIC: Y644, Y644M Y644MBH, BAT644M Y1000 Y1000BH(1)	1-5/16	B																						

SEE SHEET 1 OF 20 FOR VIEWS AND NOTES

NOTE :

⚠ NOT FOR USE ON #2 SOL CONDUCTOR.

TO ORDER BURNDY® PRODUCTS CALL UNITED STATES 1-800-346-4175 (LONDONDERRY, NH) CANADA: 1-800-361-6975 (QUEBEC) 1-800-387-6487 (ALL OTHER PROVINCES) FOR PRODUCT INFO: http://www.burndy.com	HYLUG™	
	ITEM NO:	N/A
	CAT. NO:	YA-2TC- (TABLE)
	DRAWN BY:	J. MICHAUD 11/8/93
	CHECKER:	R. ROBICHEAU 1/10/94
	DSN APPVL:	C. PALAGI 1/12/94
	MFG APPVL:	N/A --
	QA APPVL:	A. LLOYD 1/24/94
	MKT APPVL:	G. GORDON 1/20/94
	PROD FAM:	CM&R COMPRESSION
PROJECT #:	--	
DOCUMENT TYPE:	Sales	
REL LEVEL:	Released	
DRAWING NO	SE208777	
SCALE:	NTS	
REV	L	
SHEET	5 OF 20	



REV: PEO200

CATALOG NO.	FIG. NO.	CONDUCTOR		BOLT SIZE	DIMENSIONS									INSTALLATION TOOLING (# CRIMPS)									WIRE STRIP LENGTH									
		CODE (AWG)	NAVY		B	C	E	H	K	L	N	O.D.	T REF.	Y MIN.	DIE INDEX	COLOR CODE	MECHANICAL			HYDRAULIC				DIELESS (# CRIMPS)								
																	MD7-34R MD6	OUR840	YIMRTC Y122CMR	Y34A	BCT500 Y500CT PAT600	Y750, Y35 Y39, PAT750			Y46	Y45						
YA2C2TC10	1	#2 AWG	60	#10 [15]	1.25 [32]	.60 [15]	.62 [16]	-	.21 [5]	2.74 [70]	.25 [6]	.42 [11]	.11 [3]	.90 [23]	10	BROWN	W2CVT W2CRT (2)	W2CVT W2CRT (2)	BROWN (4)	A2CR (2)	W2CVT W2CRT (2)	U2CRT (2)	U2CRT (2)	U2CRT (2)	MECHANICAL: MY29-11(1) HYDRAULIC: Y644, Y644M Y644MBH, BAT644M PAT644M Y1000 Y1000BH(1)	1-5/16						
YA2C2TC1045	2							1.31 [33]		2.53 [64]																						
YA2C2TC1090	3							1.63 [41]		1.46 [37]																						
YA2C2NT14	1							1/4 [6]		.48 [12]																	.62 [16]	-	.27 [7]	2.86 [73]	.31 [8]	.96 [24]
YA2C2NT1445	2																											1.43 [36]		2.66 [68]		
YA2C2NT1490	3																											1.76 [45]		1.58 [40]		
YA2C2TC14	1			1/4 [6]	.60 [15]	.62 [16]	.62 [16]	.27 [7]	-	.31 [8]	.96 [24]																					
YA2C2TC1445	2								1.43 [36]			2.66 [68]																				
YA2C2TC1490	3								1.76 [45]			1.58 [40]																				
YA2C2TC14E2	1								1/4 [6]			.75 [19]	.62 [16]	-	.27 [7]	2.98 [76]	.31 [8]	1.09 [28]														
YA2C2TC14E245	2													1.43 [36]		2.78 [71]																
YA2C2TC14E290	3													1.76 [45]		1.71 [43]																
YA2C2TC38E2	1			3/8 [10]	.75 [19]	.62 [16]	.62 [16]	.40 [10]	-	.41 [10]	1.18 [30]																					
YA2C2TC38E245	2								1.43 [36]			2.97 [75]																				
YA2C2TC38E290	3								1.76 [45]			1.90 [48]																				
YA2C2TC516E2	1			5/16 [8]	.75 [19]	.62 [16]	.62 [16]	.33 [8]	-	.34 [9]	1.12 [28]																					
YA2C2TC516E245	2	1.43 [36]	2.84 [72]																													
YA2C2TC516E290	3	1.76 [45]	1.77 [45]																													
YA2C2TC38E6	1	3/8 [10]	.88 [22]	.62 [16]	.62 [16]	.40 [10]	-	.41 [10]	1.31 [33]																							
YA2C2TC38E645	2						1.43 [36]			3.10 [79]																						
YA2C2TC38E690	3						1.76 [45]			2.02 [51]																						
YA2C2TC38	1	3/8 [10]	1.00 [25]	.62 [16]	.62 [16]	.40 [10]	-	.41 [10]	1.43 [36]																							
YA2C2TC3845	2						1.43 [36]			3.22 [82]																						
YA2C2TC3890	3						1.76 [45]			2.14 [54]																						
YA2C2NTC38	1	3/8 [10]	1.75 [44]	.62 [16]	.62 [16]	.40 [10]	-	.41 [10]	2.18 [55]																							
YA2C2NTC3845	2						1.43 [36]			3.97 [101]																						
YA2C2NTC3890	3						1.76 [45]			2.90 [74]																						
YA2C2TC14E1	1	#2 AWG	60	1/4 [6]	1.25 [32]	.60 [15]	1.00 [25]	-	.31 [8]	.42 [11]	.11 [3]	1.34 [34]	10	BROWN	W2CVT W2CRT (2)	W2CVT W2CRT (2)	BROWN (4)	A2CR (2)	W2CVT W2CRT (2)	U2CRT (2)	U2CRT (2)	U2CRT (2)		1-5/16								
YA2C2TC14E145	2							1.43 [36]																	3.03 [77]							
YA2C2TC14E190	3							1.76 [45]																	1.96 [50]							

SEE SHEET 1 OF 20 FOR VIEWS AND NOTES

TO ORDER BURNDY® PRODUCTS CALL

UNITED STATES
1-800-346-4175 (LONDONDERRY, NH)

CANADA:
1-800-361-6975 (QUEBEC)
1-800-387-6487 (ALL OTHER PROVINCES)

FOR PRODUCT INFO: <http://www.burndy.com>

HYLUG™

ITEM NO: N/A

CAT. NO: YA2C-2TC & YA2C-2NT-

DRAWN BY: J.MICHAUD 11/8/93

CHECKER: R.ROBICHEAU 1/10/94

DSN APPVL: C.PALAGI 1/12/94

MFG APPVL: N/A

QA APPVL: A.LLOYD 1/24/94

MKT APPVL: G.GORDON 1/20/94

PROD FAM: CM&R COMPRESSION

PROJECT #: --

DOCUMENT TYPE: Sales

REL LEVEL: Released

SCALE: NTS

DRAWING NO SE208777

SHEET 6 OF 20

REV L

REV	DATE	DESCRIPTION	ECO	BY	C/H/K
L	01/27/2016 00:00:00 AM	ADDED NOTE 14	42734	SPR	DD

REV: PEO200

REV	DATE	DESCRIPTION	ECO	BY	C.H.K.
L	01/27/2016 00:00:00 AM	ADDED NOTE 14	42734	SPR	DD

D	CATALOG NO.	FIG. NO.	CONDUCTOR		BOLT SIZE	DIMENSIONS								INSTALLATION TOOLING (# CRIMPS)															
			CODE (AWG)	NAVY		B	C	E	H	K	L	N	O.D.	T REF.	Y MIN.	DIE INDEX	COLOR CODE	MECHANICAL			HYDRAULIC				DIELESS (# CRIMPS)	WIRE STRIP LENGTH			
																		MD7-34R MD6	OUR840	YIMRTC	BCT500 Y500CT	Y34A	Y750, Y35 Y39	Y46			Y45		
	YAIC2TC14	1	#1 AWG	75	1/4	1.38 [35]	.67 [17]	.62 [16]	-	.27 [7]	3.03 [77]	.31 [8]	.46 [12]	.10 [3]	.96 [24]	11 OR 375	GREEN	WICVT WICRT (2)	WICVT WICRT (2)	GREEN (4)	WICVT WICRT (2)	A4CAB AICR (2)	U4CABT UICRT (2)	U4CABT UICRT (2)	U4CABT UICRT (2)	MECHANICAL: MY29-11 (1) HYDRAULIC: Y644, Y644M Y644MBH, BAT644M Y1000 Y1000BH (1)	1-7/16		
	YAIC2TC1445	2							1.58 [40]			2.76 [70]																	
	YAIC2TC1490	3							1.91 [49]			1.60 [41]																	
	YAIC2TC14E2	1			1/4						3.15 [80]																		
	YAIC2TC14E245	2							1.58 [40]			2.88 [73]																	
	YAIC2TC14E290	3							1.91 [49]			1.73 [44]																	
	YAIC2TC14E1	1			1/4						3.40 [86]																		
	YAIC2TC14E145	2							1.58 [40]			3.14 [80]																	
	YAIC2TC14E190	3							1.91 [49]			1.98 [50]																	
	YAIC2TC38	1			3/8						3.59 [91]																		
	YAIC2TC3845	2					1.58 [40]		.40 [10]	3.32 [84]		.41 [10]																	
	YAIC2TC3890	3	#1 AWG	75			1.38 [35]	.67 [17]		2.16 [55]																			

SEE SHEET 1 OF 20 FOR VIEWS AND NOTES

TO ORDER BURNDY® PRODUCTS CALL		HYLUG™	
UNITED STATES 1-800-346-4175 (LONDONDERRY, NH)		ITEM NO: N/A	
CANADA: 1-800-361-6975 (QUEBEC) 1-800-387-6487 (ALL OTHER PROVINCES)		CAT. NO: YAIC-2TC- (TABLE)	
FOR PRODUCT INFO: http://www.burndy.com		DRAWN BY: J.MICHAUD 11/8/93	
		CHECKER: R.ROBICHEAU 1/10/94	
		DSN APPVL: C.PALAGI 1/12/94	
		MFG APPVL: N/A --	
		QA APPVL: A.LLOYD 1/24/94	
		MKT APPVL: G.GORDON 1/20/94	
		PROD FAM: CM&R COMPRESSION	
		DRAWING NO	
		REV	
		PROJECT #: --	
		SIZE	
		DOCUMENT TYPE: Sales	
		REL LEVEL: Released	
		SCALE: NTS	
		SE208777	
		SHEET 7 OF 20	
		L	

REV: PEO200



REV	DATE	DESCRIPTION	ECO	BY	C'H'K.
L	01/27/2016 00:00:00 AM	ADDED NOTE 14	42734	SPR	DD

CATALOG NO.	FIG. NO.	CONDUCTOR		BOLT SIZE	DIMENSIONS									INSTALLATION TOOLING (# CRIMPS)								WIRE STRIP LENGTH							
		CODE (AWG)	NAVY		B	C	E	H	K	L	N	O.D.	T REF.	Y MIN.	DIE INDEX	COLOR CODE	MECHANICAL		HYDRAULIC				DIELESS (# CRIMPS)						
																	MD7-34R MD6	OUR840	Y500CT PAT600	Y34A	Y750, Y35 Y39, PAT750			Y46 PAT46	Y45				
YA252TC14	1	1/0 AWG	100	1/4	1.38 [32]	.75 [15]	.62 [16]	-	.27 [7]	3.05 [77]	.31 [8]	.51 [13]	.12 [3]	.96 [24]	12 OR 348	PINK	W25VT W25RT (4)	W25VT W25RT (4)	W25VT W25RT (4)	A2CAB A25R (2)	U2CABT U25RT (2)	U2CABT U25RT (2)	U2CABT U25RT (2)	MECHANICAL: MY29-3 (2) MY29-11 (2) HYDRAULIC: MRC840 (4) Y644HS (1) Y81KFT (2) Y81KFTMBH (2) PAT81KFT-18V (2)	1-7/16				
YA252TC1445	2	↑	↑	1/4	1.38 [32]	.75 [15]	.62 [16]	-	.27 [7]	2.82 [72]	.31 [8]	.51 [13]	.12 [3]	.96 [24]	↑	↑	↑	↑	↑	↑	↑	↑	↑		↑	↑			
YA252TC1490	3	↑	↑																								1.97 [50]	1.64 [42]	3.18 [81]
YA252TC14E2	1	↓	↓	1/4	1.38 [32]	.75 [15]	.75 [19]	-	.27 [7]	2.94 [75]	.31 [8]	.51 [13]	.12 [3]	.96 [24]	↓	↓	↓	↓	↓	↓	↓	↓	↓		↓	↓			
YA252TC14E245	2																										1.97 [50]	1.64 [42]	3.18 [81]
YA252TC14E290	3																										1.97 [50]	1.64 [42]	3.18 [81]
YA252TC38	1	↓	↓	3/8	1.38 [32]	.75 [15]	1.00 [25]	-	.40 [10]	3.38 [86]	.41 [10]	.51 [13]	.12 [3]	.96 [24]	↓	↓	↓	↓	↓	↓	↓	↓	↓		↓	↓			
YA252TC3845	2																										1.97 [50]	1.64 [42]	3.38 [86]
YA252TC3890	3																										1.97 [50]	1.64 [42]	3.38 [86]
YA252NTC38	1	↓	↓	3/8	1.38 [32]	.75 [15]	1.75 [44]	-	.40 [10]	4.13 [105]	.41 [10]	.51 [13]	.12 [3]	.96 [24]	↓	↓	↓	↓	↓	↓	↓	↓	↓		↓	↓			
YA252NTC3845	2																										1.97 [50]	1.64 [42]	4.13 [105]
YA252NTC3890	3																										1.97 [50]	1.64 [42]	4.13 [105]
YA252TC516	1	↓	↓	5/16	1.38 [32]	.75 [15]	1.00 [25]	-	.33 [8]	3.26 [83]	.34 [9]	.51 [13]	.12 [3]	.96 [24]	↓	↓	↓	↓	↓	↓	↓	↓	↓		↓	↓			
YA252TC51645	2																										1.97 [50]	1.64 [42]	3.26 [83]
YA252TC51690	3																										1.97 [50]	1.64 [42]	3.26 [83]
YA252TC14E1	1	↓	↓	1/4	1.38 [32]	.75 [15]	1.00 [25]	-	.27 [7]	3.19 [81]	.31 [8]	.51 [13]	.12 [3]	.96 [24]	↓	↓	↓	↓	↓	↓	↓	↓	↓		↓	↓			
YA252TC14E145	2																										1.97 [50]	1.64 [42]	3.19 [81]
YA252TC14E190	3																										1.97 [50]	1.64 [42]	3.19 [81]

SEE SHEET 1 OF 20 FOR VIEWS & NOTES

TO ORDER BURNDY® PRODUCTS CALL UNITED STATES 1-800-346-4175 (LONDONDERRY, NH) CANADA: 1-800-361-6975 (QUEBEC) 1-800-387-6487 (ALL OTHER PROVINCES) FOR PRODUCT INFO: http://www.burndy.com	HYLUG™	
	ITEM NO:	N/A
	CAT. NO:	YA-2TC- (TABLE)
	DRAWN BY:	J. MICHARD 11/8/93
	CHECKER:	R. ROBICHEAU 1/10/94
	DSN APPVL:	C. PALAGI 1/12/94
	MFG APPVL:	N/A
	QA APPVL:	A. LLOYD 1/24/94
	MKT APPVL:	G. GORDON 1/20/94
	PROD FAM:	CM&R COMPRESSION
PROJECT #:	---	
DOCUMENT TYPE:	Sales	
REL LEVEL:	Released	
DRAWING NO:	SE208777	
SCALE:	NTS	
SHEET:	8 OF 20	

REV: PEO200

REV	DATE	DESCRIPTION	ECO	BY	C'K'R.
L	01/27/2016 00:00:00 AM	ADDED NOTE 14	42734	SPR	DD

CATALOG NO.	FIG. NO.	CONDUCTOR		BOLT SIZE	DIMENSIONS									INSTALLATION TOOLING (# CRIMPS)											
		CODE (AWG)	NAVY		B	C	E	H	K	L	N	O.D.	T REF.	Y MIN.	DIE INDEX	COLOR CODE	MECHANICAL		HYDRAULIC			DIELESS (# CRIMPS)	WIRE STRIP LENGTH		
																	MD7-34R MD6	OUR840	Y34A	BCT500 Y500CT	Y750, Y35 Y39			Y46	Y45
YA262TC14	1	2/0 AWG	125	1/4	1.50 [38]	.83 [21]	.62 [16]	-	.27 [7]	3.22 [82]	.31 [8]	.56 [14]	.12 [3]	.96 [24]	13	BLACK	W26VT W26RT (4)	W26VT W26RT (4)	A26R (2)	W26VT W26RT (4)	U26RT (2)	U26RT (2)	U26RT (2)	MECHANICAL: MY29-11 (1) HYDRAULIC: Y644, Y644M Y644MBH, BAT644M Y1000 Y1000BH (1)	1-9/16
YA262TC1445	2				1.83 [46]	2.14 [54]	3.34 [85]	1.09 [28]	1.34 [34]	W26VT W26RT (4)	W26VT W26RT (4)	A26R (2)	W26VT W26RT (4)	U26RT (2)	U26RT (2)	U26RT (2)									
YA262TC1490	3			1/4	1.83 [46]	2.14 [54]	3.06 [78]	1.79 [45]	1.43 [36]	W26VT W26RT (4)	W26VT W26RT (4)	A26R (2)	W26VT W26RT (4)	U26RT (2)	U26RT (2)	U26RT (2)									
YA262TC14E2	1				-	3.78 [96]	1.43 [36]	W26VT W26RT (4)	W26VT W26RT (4)	A26R (2)	W26VT W26RT (4)	U26RT (2)	U26RT (2)	U26RT (2)											
YA262TC14E245	2			1/4	1.83 [46]	2.14 [54]	3.06 [78]	1.79 [45]	1.43 [36]	W26VT W26RT (4)	W26VT W26RT (4)	A26R (2)	W26VT W26RT (4)	U26RT (2)	U26RT (2)	U26RT (2)									
YA262TC14E290	3				-	3.78 [96]	1.43 [36]	W26VT W26RT (4)	W26VT W26RT (4)	A26R (2)	W26VT W26RT (4)	U26RT (2)	U26RT (2)	U26RT (2)											
YA262TC38	1			3/8	1.00 [25]	1.83 [46]	2.22 [57]	3.50 [89]	1.43 [36]	W26VT W26RT (4)	W26VT W26RT (4)	A26R (2)	W26VT W26RT (4)	U26RT (2)	U26RT (2)	U26RT (2)									
YA262TC3845	2				1.00 [25]	1.83 [46]	2.22 [57]	3.50 [89]	1.43 [36]	W26VT W26RT (4)	W26VT W26RT (4)	A26R (2)	W26VT W26RT (4)	U26RT (2)	U26RT (2)	U26RT (2)									
YA262TC3890	3				-	3.59 [91]	1.43 [36]	W26VT W26RT (4)	W26VT W26RT (4)	A26R (2)	W26VT W26RT (4)	U26RT (2)	U26RT (2)	U26RT (2)											
YA262TC14E1	1			1/4	1.50 [38]	.83 [21]	1.00 [25]	-	.27 [7]	3.31 [84]	.31 [8]	.56 [14]	.12 [3]	1.34 [34]	13	BLACK	W26VT W26RT (4)	W26VT W26RT (4)	A26R (2)	W26VT W26RT (4)	U26RT (2)	U26RT (2)	U26RT (2)		
YA262TC14E145	2	1.83 [46]	2.14 [54]		3.31 [84]	1.09 [28]	1.34 [34]	W26VT W26RT (4)	W26VT W26RT (4)	A26R (2)	W26VT W26RT (4)	U26RT (2)	U26RT (2)	U26RT (2)											
YA262TC14E190	3	2/0 AWG	125		1.50 [38]	.83 [21]	1.00 [25]	-	.27 [7]	3.31 [84]	.31 [8]	.56 [14]	.12 [3]	1.34 [34]	13	BLACK	W26VT W26RT (4)	W26VT W26RT (4)	A26R (2)	W26VT W26RT (4)	U26RT (2)	U26RT (2)	U26RT (2)		

SEE SHEET 1 OF 20 FOR VIEWS & NOTES


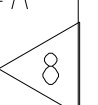
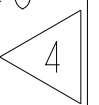
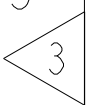
TO ORDER BURNDY® PRODUCTS CALL		HYLUG™	
UNITED STATES 1-800-346-4175 (LONDONDERRY, NH)		ITEM NO: N/A	CAT. NO: YA-2TC- (TABLE)
CANADA: 1-800-361-6975 (QUEBEC) 1-800-387-6487 (ALL OTHER PROVINCES)		DRAWN BY: J. MICHAUD 11/8/93	CHECKER: R. ROBICHEAU 1/10/94
FOR PRODUCT INFO: http://www.burndy.com		DSN APPVL: C. PALAGI 1/12/94	MFG APPVL: N/A --
		QA APPVL: A. LLOYD 1/24/94	MKT APPVL: G. GORDON 1/20/94
		PROD FAM: CM&R COMPRESSION	DRAWING NO: REV
		PROJECT #: --	SCALE: NTS
		DOCUMENT TYPE: Sales	SIZE: SE208777
		REL LEVEL: Released	SHEET 9 OF 20

REV: PEO200

REV	DATE	DESCRIPTION	ECO	BY	CHK.
L	01/27/2016 00:00:00 AM	ADDED NOTE 14	42734	SPR	DD

D

D

CATALOG NO.	FIG. NO.	CONDUCTOR		BOLT SIZE	DIMENSIONS									INSTALLATION TOOLING (# CRIMPS)												
		CODE (AWG)	NAVY 		B	C	E	H	K	L	N	O.D.	T REF.	Y MIN.	DIE INDEX	COLOR CODE	MECHANICAL		HYDRAULIC				DIELESS (# CRIMPS)	WIRE STRIP LENGTH		
																	MD7-34R MD6	OUR840	BCT500 Y500CT	Y34A 	Y750, Y35 Y39	Y46 			Y45 	
YA272TC14E2	1	3/0 AWG	150	1/4	1.50 [38]	.90 [23]	.75 [19]	-	.27 [7]	3.38 [86]	.31 [8]	.62 [16]	.12 [3]	1.09 [28]	14	ORANGE	W27VT	W27VT	W27VT	A27R (2)	U27RT (2)	U27RT (2)	U27RT (2)	MECHANICAL: MY29-11 (1) HYDRAULIC: Y644, Y644M Y644MBH BAT644M Y1000 Y1000BH (1)	1-9/16	
YA272TC14E245	2				1.86 [47]	1.86 [47]		3.10 [79]		1.82 [46]							W27RT (4)	W27RT (4)	W27RT (4)	U27RT (2)	U27RT (2)	U27RT (2)				
YA272TC14E290	3				2.19 [56]	2.19 [56]		1.82 [46]		W27VT							W27VT	W27VT	A27R (2)	U27RT (2)	U27RT (2)	U27RT (2)				
YA272TC38	1	3/0 AWG	150	1/4	1.50 [38]	.90 [23]	1.00 [25]	-	.40 [10]	3.82 [97]	.41 [10]	.62 [16]	.12 [3]	1.43 [36]	14	ORANGE	W27VT	W27VT	W27VT	A27R (2)	U27RT (2)	U27RT (2)	U27RT (2)	MECHANICAL: MY29-11 (1) HYDRAULIC: Y644, Y644M Y644MBH BAT644M Y1000 Y1000BH (1)	1-9/16	
YA272TC3845	2							1.86 [47]		1.86 [47]							3.54 [90]	1.82 [46]	W27RT (4)	W27RT (4)	W27RT (4)	U27RT (2)	U27RT (2)			U27RT (2)
YA272TC3890	3							2.19 [56]		2.19 [56]							2.25 [57]	1.82 [46]	W27VT	W27VT	W27VT	A27R (2)	U27RT (2)			U27RT (2)

C

C

B

B

A

A

SEE SHEET 1 OF 20 FOR VIEWS & NOTES

TO ORDER BURNDY® PRODUCTS CALL UNITED STATES 1-800-346-4175 (LONDONDERRY, NH) CANADA: 1-800-361-6975 (QUEBEC) 1-800-387-6487 (ALL OTHER PROVINCES) FOR PRODUCT INFO: http://www.burndy.com	HYLUG™	
	ITEM NO:	N/A
	CAT. NO:	YA-2TC- (TABLE)
	DRAWN BY:	J. MICHAUD 11/8/93
	CHECKER:	R. ROBICHEAU 1/10/94
	DSN APPVL:	C. PALAGI 1/12/94
	MFG APPVL:	N/A --
	QA APPVL:	A. LLOYD 1/24/94
	MKT APPVL:	G. GORDON 1/20/94
	PROD FAM:	CM&R COMPRESSION
PROJECT #:	--	
DOCUMENT TYPE:	Sales	
REL LEVEL:	Released	
DRAWING NO	SE208777	
SCALE:	NTS	
SHEET	10 OF 20	



REV: PEO200

REV	DATE	DESCRIPTION	ECO	BY	C'H'K.
L	01/27/2016 00:00:00 AM	ADDED NOTE 14	42734	SPR	DD

CATALOG NO.	FIG. NO.	CONDUCTOR		BOLT SIZE	DIMENSIONS										INSTALLATION TOOLING (# CRIMPS)										DIELESS (# CRIMPS)	WIRE STRIP LENGTH							
		CODE (AWG)	NAVY 5		B	C	E	H	K	L	N	O.D.	T REF.	Y MIN.	DIE INDEX	COLOR CODE	MECHANICAL		HYDRAULIC														
																	MD7-34R MD6	OUR840	BCT500 Y500CT	Y34A 8	Y750, Y35 Y39	Y46 4	Y45 3	Y48B 9			Y60B						
YA282TC14E2	1	4/0 AWG	200	1/4	1.62 [41]	1.02 [26]	.75 [19]	-	.27 [7]	3.55 [90]	.31 [8]	.69 [18]	.14 [4]	1.09 [28]	15	PURPLE	W28VT	W28VT	W28VT	A28R (2)	U28RT (2)	U28RT (2)	U28RT (2)	C28R (2)	L28RT (1)	MECHANICAL: MY29-11 (1) HYDRAULIC: Y644, Y644M Y644MBH BAT644M Y1000 Y1000BH (1)	1-11/16						
YA282TC14E245	2				2.04 [52]	3.25 [83]		2.38 [61]		1.86 [47]							3.99 [101]	3.69 [94]	2.30 [58]	4.74 [120]	4.44 [113]	3.05 [77]	W28RT (4)	W28RT (4)	W28RT (4)			A28R (2)	U28RT (2)	U28RT (2)	U28RT (2)	C28R (2)	L28RT (1)
YA282TC14E290	3				2.38 [61]	1.86 [47]		3.99 [101]		3.69 [94]							2.30 [58]	4.74 [120]	4.44 [113]	3.05 [77]	W28VT	W28RT	W28RT	A28R	U28RT			U28RT	U28RT	C28R	L28RT		
YA282TC38	1	4/0 AWG	200	3/8	1.62 [41]	1.02 [26]	1.00 [25]	-	.40 [10]	3.55 [90]	.41 [10]	.69 [18]	.14 [4]	1.43 [36]	15	PURPLE	W28VT	W28VT	W28VT	A28R (2)	U28RT (2)	U28RT (2)	U28RT (2)	C28R (2)	L28RT (1)	MECHANICAL: MY29-11 (1) HYDRAULIC: Y644, Y644M Y644MBH BAT644M Y1000 Y1000BH (1)	1-11/16						
YA282TC3845	2				2.04 [52]	3.25 [83]		2.38 [61]		1.86 [47]							3.99 [101]	3.69 [94]	2.30 [58]	4.74 [120]	4.44 [113]	3.05 [77]	W28RT (4)	W28RT (4)	W28RT (4)			A28R (2)	U28RT (2)	U28RT (2)	U28RT (2)	C28R (2)	L28RT (1)
YA282TC3890	3				2.38 [61]	1.86 [47]		3.99 [101]		3.69 [94]							2.30 [58]	4.74 [120]	4.44 [113]	3.05 [77]	W28VT	W28RT	W28RT	A28R	U28RT			U28RT	U28RT	C28R	L28RT		
YA282NTC38	1	4/0 AWG	200	3/8	1.62 [41]	1.02 [26]	1.75 [44]	-	.40 [10]	3.55 [90]	.41 [10]	.69 [18]	.14 [4]	2.18 [55]	15	PURPLE	W28VT	W28VT	W28VT	A28R (2)	U28RT (2)	U28RT (2)	U28RT (2)	C28R (2)	L28RT (1)	MECHANICAL: MY29-11 (1) HYDRAULIC: Y644, Y644M Y644MBH BAT644M Y1000 Y1000BH (1)	1-11/16						
YA282NTC3845	2				2.04 [52]	3.25 [83]		2.38 [61]		1.86 [47]							3.99 [101]	3.69 [94]	2.30 [58]	4.74 [120]	4.44 [113]	3.05 [77]	W28RT (4)	W28RT (4)	W28RT (4)			A28R (2)	U28RT (2)	U28RT (2)	U28RT (2)	C28R (2)	L28RT (1)
YA282NTC3890	3				2.38 [61]	1.86 [47]		3.99 [101]		3.69 [94]							2.30 [58]	4.74 [120]	4.44 [113]	3.05 [77]	W28VT	W28RT	W28RT	A28R	U28RT			U28RT	U28RT	C28R	L28RT		

SEE SHEET 1 OF 20 FOR VIEWS & NOTES




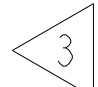
TO ORDER BURNDY® PRODUCTS CALL		HYLUG™	
UNITED STATES 1-800-346-4175 (LONDONDERRY, NH)		ITEM NO: N/A	
CANADA: 1-800-361-6975 (QUEBEC) 1-800-387-6487 (ALL OTHER PROVINCES)		CAT. NO: YA-2TC- (TABLE)	
FOR PRODUCT INFO: http://www.burndy.com		DRAWN BY: J. MICHAUD 11/8/93	
		CHECKER: R. ROBICHEAU 1/10/94	
		DSN APPVL: C. PALAGI 1/12/94	
		MFG APPVL: N/A --	
		QA APPVL: A. LLOYD 1/24/94	
		MKT APPVL: G. GORDON 1/20/94	
		SCALE: NTS	
		DRAWING NO	
		REV	
		PROJECT #: --	
		SIZE	
		DOCUMENT TYPE: Sales	
		REL LEVEL: Released	
		SE208777	
		L	
		SHEET 11 OF 20	

REV: PEO200

REV	DATE	DESCRIPTION	ECO	BY	CHK.
L	01/27/2016 00:00:00 AM	ADDED NOTE 14	42734	SPR	DD

D

D

CATALOG NO.	FIG. NO.	CONDUCTOR		BOLT SIZE	DIMENSIONS										INSTALLATION TOOLING (# CRIMPS)													DIELESS (# CRIMPS)	WIRE STRIP LENGTH						
		SIZE	NAVY 		B	C	E	H	K	L	N	O.D.	T REF.	Y MIN.	DIE INDEX	TYPE	COLOR CODE	MECHANICAL				HYDRAULIC													
																		MD7-34R	OUR840	MD6 MD7	MD6--R2	BCT500 Y500CT	Y34A 	Y34A Y34B Y34BH	Y750, Y35 Y39	Y46 	Y45 			Y48B	Y60B	Y60BHU			
YA292TC38	1	250 kcmil	250	3/8	1.10 [28]	1.00 [25]	-	.40 [10]	4.02 [102]	.41 [10]	.75 [19]	.16 [4]	1.43 [36]	16	--	YELLOW	W29VT W29RT (4)	X29RT (6)	--	--	W29VT W29RT (4) X29RT (6)	A29R (2)	--	U29RT (2)	U29RT (2)	U29RT (2)	C29R (2)	L29RT (1)	--	HYDRAULIC: Y644, Y644M Y644MBH BAT644M Y1000 Y1000BH (1)	1-11/16				
YA292TC3845	2						2.11 [54]		3.75 [95]								W29VT W29RT (4)	X29RT (6)	--	--	W29VT W29RT (4) X29RT (6)	A29R (2)	--	U29RT (2)	U29RT (2)	U29RT (2)	C29R (2)	L29RT (1)	--	MECHANICAL: MY29-3 (2) MY29-11(2)					
YA292TC3890	3						2.45 [62]		2.34 [59]								--	--	--	--	--	--	--	--	--	--	--	--	--	--		HYDRAULIC: Y644M (1) BAT644M (1)			
YA292TC58E16	1	250 kcmil	250	5/8	1.11 [28]	1.75 [44]	--	.69 [18]	5.27 [134]	.66 [17]	.75 [19]	.16 [4]	2.42 [62]	16	YELLOW	YELLOW DIE SET	--	X29RT (8)	W29VT (4)	W29RT (4) W29VT (4)	--	--	A29RT (2)	U29RT (2)	U29RT (2)	U29RT (2)	C29RT (2)	--	MECHANICAL: MY29-3 (2) MY29-11(2)	1-11/16					
YA292TC58E16	1			5/8	1.11 [28]	1.75 [44]	--	.69 [18]	5.27 [134]	.66 [17]						.75 [19]	.16 [4]	2.42 [62]	16	YELLOW	YELLOW DIE SET	--	X29RT (8)	W29VT (4)	W29RT (4) W29VT (4)	--	--	A29RT (2)	U29RT (2)		U29RT (2)	U29RT (2)	C29RT (2)	--	MECHANICAL: MY29-3 (2) MY29-11(2)

C

C

B

B

A

A

REV: PE0200

SEE SHEET 1 OF 20 FOR VIEWS & NOTES

TO ORDER BURNDY® PRODUCTS CALL UNITED STATES 1-800-346-4175 (LONDONDERRY, NH) CANADA: 1-800-361-6975 (QUEBEC) 1-800-387-6487 (ALL OTHER PROVINCES) FOR PRODUCT INFO: http://www.burndy.com	HYLUG™			
	ITEM NO:	N/A		
	CAT. NO:	YA-2TC- (TABLE)		
	DRAWN BY:	J. MICHAUD	11/8/93	
	CHECKER:	R. ROBICHEAU	1/10/94	
	DSN APPVL:	C. PALAGI	1/12/94	
	MFG APPVL:	N/A	--	
	QA APPVL:	A. LLOYD	1/24/94	
	MKT APPVL:	G. GORDON	1/10/94	
	PROD FAM:	CM&R COMPRESSION	DRAWING NO	REV
PROJECT #:	--	SIZE	SE208777	
DOCUMENT TYPE:	Sales		L	
REL LEVEL:	Released	D	SHEET 12 OF 20	

REV	DATE	DESCRIPTION	ECO	BY	CHK.
L	01/27/2016 00:00:00 AM	ADDED NOTE 14	42734	SPR	DD

D

CATALOG NO.	FIG. NO.	CONDUCTOR		BOLT SIZE	DIMENSIONS										INSTALLATION TOOLING (# CRIMPS)																			
		SOZE	NAVY		B	C	E	H	K	L	N	O.D.	T REF.	Y MIN.	DIE INDEX	COLOR CODE	MECHANICAL		HYDRAULIC								DIELESS (# CRIMPS)	WIRE STRIP LENGTH						
																	MD7-34R	BCT500 Y500CT	Y34A	Y750, Y35 Y39	Y46	Y45	Y48B	Y486RB	Y60B									
YA302TC38	1								-																									
YA302TC3845	2	300kcmil	300	3/8	2.00 [51]	1.20 [30]	1.00 [25]	2.46 [62]	.40 [10]	4.07 [103]	.41 [10]	.81 [21]	.16 [4]	1.43 [36]	17 OR 298	WHITE	W30RT (4)	W30RT (4)	A28R A30R (4)	U28ART U30RT (4)	U28ART U30RT (4)	U28ART U30RT (4)	C28AR (4) C30R (1)	F28AR (4)	L30RT (1)	HYDRAULIC: Y644, Y644M Y644MBH BAT644M Y1000 Y1000BH (1)	2-1/16							
YA302TC3890	3							2.89 [73]		2.37 [60]																								

C

B

A

SEE SHEET 1 OF 20 FOR VIEWS & NOTES

<p>TO ORDER BURNDY® PRODUCTS CALL UNITED STATES 1-800-346-4175 (LONDONDERRY, NH) CANADA: 1-800-361-6975 (QUEBEC) 1-800-387-6487 (ALL OTHER PROVINCES) FOR PRODUCT INFO: http://www.burndy.com</p>		HYLUG™				
		ITEM NO: N/A		CAT. NO: YA-2TC- (TABLE)		
		DRAWN BY: J.MICHAUD 1/18/93		CHECKER: R.ROBICHEAU 1/10/94		
		DSN APPVL: C.PALAGI 1/12/94		MFG APPVL: N/A --		
		QA APPVL: A.LLOYD 1/24/94		MKT APPVL: G.GORDON 1/20/94		
PROD. FAM: CM&R COMPRESSION		DRAWING NO		REV		
PROJECT #: --		SIZE		SCALE: NTS		
DOCUMENT TYPE: Sales		D		SE208777		
REL LEVEL: Released				SHEET 13 OF 20		

REV: PEO200

D

C

B

A



REV	DATE	DESCRIPTION	ECO	BY	C'K
L	01/27/2016 00:00:00 AM	ADDED NOTE 14	42734	SPR	DD

CATALOG NO.	FIG. NO.	CONDUCTOR		BOLT SIZE	DIMENSIONS									INSTALLATION TOOLING (# CRIMPS)										DIELESS (#CRIMPS)	WIRE STRIP LENGTH	
		SIZE	NAVY		B	C	E	H	K	L	N	O.D.	T REF.	Y MIN.	DIE INDEX	COLOR CODE	MECHANICAL		HYDRAULIC							
																	MD7-34R	BCT500 Y500CT	Y34A	Y750, Y35 Y39	Y46	Y45	Y48B			Y486RB
YA312TC14E2	1	350 kcmil	350	1/4	2.00 [51]	1.29 [33]	-	4.05 [103]	.31 [8]	.88 [22]	.18 [5]	1.09 [28]	18 OR 324	RED	W31VT W31RT (4)	W31VT W31RT (4)	A29AR A31R (4)	U29ART U31RT (4)	U29ART U31RT (4)	U29ART U31RT (4)	C29AR C31R (1)	F29AR F31R (1)	L29ART L31RT (1)	HYDRAULIC: Y644, Y644M Y644MBH BAT644M Y1000 Y1000BH (1)	2-1/16	
YA312TC14E245	2						2.54 [65]	.27 [7]					3.68 [94]	18 OR 324	RED	W31VT W31RT (4)	W31VT W31RT (4)	A29AR A31R (4)	U29ART U31RT (4)	U29ART U31RT (4)	U29ART U31RT (4)	C29AR C31R (1)	F29AR F31R (1)			L29ART L31RT (1)
YA312TC14E290	3						2.96 [75]	.40 [10]					1.97 [50]	18 OR 324	RED	W31VT W31RT (4)	W31VT W31RT (4)	A29AR A31R (4)	U29ART U31RT (4)	U29ART U31RT (4)	U29ART U31RT (4)	C29AR C31R (1)	F29AR F31R (1)			L29ART L31RT (1)
YA312TC38	1	-	4.49 [114]	.41 [10]	1.43 [36]	18 OR 324	RED		W31VT W31RT (4)	W31VT W31RT (4)	A29AR A31R (4)	U29ART U31RT (4)	U29ART U31RT (4)	U29ART U31RT (4)	C29AR C31R (1)	F29AR F31R (1)	L29ART L31RT (1)									
YA312TC3845	2	2.54 [65]	1.00 [25]			4.12 [105]	18 OR 324	RED	W31VT W31RT (4)	W31VT W31RT (4)	A29AR A31R (4)	U29ART U31RT (4)	U29ART U31RT (4)	U29ART U31RT (4)	C29AR C31R (1)	F29AR F31R (1)	L29ART L31RT (1)									
YA312TC3890	3	2.96 [75]	.40 [10]			2.41 [61]	18 OR 324	RED	W31VT W31RT (4)	W31VT W31RT (4)	A29AR A31R (4)	U29ART U31RT (4)	U29ART U31RT (4)	U29ART U31RT (4)	C29AR C31R (1)	F29AR F31R (1)	L29ART L31RT (1)									

SEE SHEET 1 OF 20 FOR VIEWS & NOTES

TO ORDER BURNDY® PRODUCTS CALL		HYLUG™	
UNITED STATES 1-800-346-4175 (LONDONDERRY, NH)		ITEM NO: N/A	CAT. NO: YA-2TC- (TABLE)
CANADA: 1-800-361-6975 (QUEBEC) 1-800-387-6487 (ALL OTHER PROVINCES)		DRAWN BY: J. MICHAUD 11/8/93	CHECKER: R. ROBICHEAU 1/10/94
FOR PRODUCT INFO: http://www.burndy.com		DSN APPVL: C. PALAGI 1/12/94	MFG APPVL: N/A --
		QA APPVL: A. LLOYD 1/24/94	MKT APPVL: G. GORDON 1/20/94
		PROD FAM: CM&R COMPRESSION	DRAWING NO: REV
		PROJECT #: --	SIZE
		DOCUMENT TYPE: Sales	SE208777
		REL LEVEL: Released	SHEET 14 OF 20



REV: PEO200

REV	DATE	DESCRIPTION	ECO	BY	C'K'R.
L	01/27/2016 00:00:00 AM	ADDED NOTE 14	42734	SPR	DD

D

D

CATALOG NO.	FIG. NO.	CONDUCTOR		BOLT SIZE	DIMENSIONS									INSTALLATION TOOLING (# CRIMPS)																						
		SIZE	NAVY 5		B	C	E	H	K	L	N	O.D.	T REF.	Y MIN.	DIE INDEX	COLOR CODE	MECHANICAL		HYDRAULIC								DIELESS (# CRIMPS)	WIRE STRIP LENGTH								
																	MD7-34R	BCT500 Y500CT	Y34A	Y750, Y35 Y39	Y46	Y45	Y48B	Y486RB	Y60B											
YA322TC38	1								4.66 [118]																											
YA322TC3845	2	400 kcmil	400	3/8	2.12 [54]	1.40 [36]	1.00 [25]	2.72 [69]	.40 [10]	4.28 [109]	.41 [10]	.95 [24]	.19 [5]	1.43 [36]	19 OR 470	BLUE	W32RT (4)	W32RT (4)	A30AR A32R (4)	U30ART U32RT (4)	U30ART U32RT (4)	U30ART U32RT (4)	C30AR C32R (1)	F30AR (1)	L30ART L32RT (1)	HYDRAULIC: Y644, Y644M Y644MBH Y1000 Y1000BH (1)	2-3/16									
YA322TC3890	3							3.16 [80]		2.46 [62]																										

C

C

B

B

A

A

SEE SHEET 1 OF 20 FOR VIEWS & NOTES

TO ORDER BURNDY® PRODUCTS CALL UNITED STATES 1-800-346-4175 (LONDONDERRY, NH) CANADA: 1-800-361-6975 (QUEBEC) 1-800-387-6487 (ALL OTHER PROVINCES) FOR PRODUCT INFO: http://www.burndy.com		HYLUG™	
		ITEM NO: N/A	
CAT. NO: YA-2TC- (TABLE)			
DRAWN BY: J. MICHAUD	11/8/93		
CHECKER: R. ROBICHEAU	1/10/94		
DSN APPVL: C. PALAGI	1/12/94		
MFG APPVL: N/A	--		
QA APPVL: A. LLOYD	1/24/94		
MKT APPVL: G. GORDON	1/20/94		
PROD FAM: CM&R COMPRESSION		DRAWING NO	REV
PROJECT #: --	SIZE	SE208777	L
DOCUMENT TYPE: Sales	D	SHEET 15 OF 20	
REL LEVEL: Released			



REV	DATE	DESCRIPTION	ECO	BY	CHECK
L	01/27/2016 00:00:00 AM	ADDED NOTE 14	42734	SPR	DD

D	CATALOG NO.	FIG. NO.	CONDUCTOR SIZE	BOLT SIZE	DIMENSIONS									INSTALLATION TOOLING (# CRIMPS)										DIELESS (# CRIMPS)	WIRE STRIP LENGTH	D																							
					B	C	E	H	K	L	N	O.D.	T REF.	Y MIN.	DIE INDEX	COLOR CODE	MECHANICAL		HYDRAULIC																														
																	MD7-34R	BCT500 Y500CT	Y34A 8	Y750, Y35 Y39	Y46 4	Y45 3	Y48B				Y486RB	Y60B																					
YA342TC14E2	1	500 kcmil	1/4	2.25 [57]	1.55 [39]	-	4.46 [113]	.27 [7]	4.07 [104]	.31 [8]	1.06 [27]	.23 [6]	1.09 [28]	20 OR 299	BROWN	W34RT (4)	W34RT (4)	A34R (4)	U31ART (2) U34RT (4)	U31ART (2) U34RT (4)	U31ART (2) U34RT (4)	C31AR (1) C34R (2)	F31AR (1)	L34RT (2)	HYDRAULIC: Y644, Y644M Y644MBH BAT644M Y1000 Y1000BH (1)	2-5/16																							
YA342TC14E245	2					.75 [19]	2.96 [75]		4.07 [104]					3.43 [88]	4.51 [115]	2.09 [53]	2.96 [75]	3.43 [88]	4.90 [124]	4.51 [115]	2.53 [65]	20 OR 299	BROWN	W34RT (4)		W34RT (4)	A34R (4)	U31ART (2) U34RT (4)	U31ART (2) U34RT (4)	U31ART (2) U34RT (4)	C31AR (1) C34R (2)	F31AR (1)	L34RT (2)	2-5/16															
YA342TC14E290	3					3.43 [88]	2.09 [53]		4.90 [124]					4.51 [115]	2.53 [65]	2.96 [75]	3.43 [88]	4.90 [124]	4.51 [115]	2.53 [65]	2.09 [53]	20 OR 299	BROWN	W34RT (4)		W34RT (4)	A34R (4)	U31ART (2) U34RT (4)	U31ART (2) U34RT (4)	U31ART (2) U34RT (4)	C31AR (1) C34R (2)	F31AR (1)	L34RT (2)	2-5/16															
YA342TC38	1					500 kcmil	3/8		2.25 [57]					1.55 [39]	-	4.90 [124]	.40 [10]	4.51 [115]	.41 [10]	1.06 [27]	.23 [6]	1.43 [36]	20 OR 299	BROWN		W34RT (4)	W34RT (4)	A34R (4)	U31ART (2) U34RT (4)	U31ART (2) U34RT (4)	U31ART (2) U34RT (4)	C31AR (1) C34R (2)	F31AR (1)	L34RT (2)	HYDRAULIC: Y644, Y644M Y644MBH BAT644M Y1000 Y1000BH (1)	2-5/16													
YA342TC3845	2														1.00 [25]	2.96 [75]		4.51 [115]					2.09 [53]	2.96 [75]		3.43 [88]	4.90 [124]	4.51 [115]	2.53 [65]	2.09 [53]	2.96 [75]	3.43 [88]	4.90 [124]	4.51 [115]		2.53 [65]	2.09 [53]	2.96 [75]	3.43 [88]	4.90 [124]	4.51 [115]	2.53 [65]	2.09 [53]	2.96 [75]	3.43 [88]	4.90 [124]	4.51 [115]	2.53 [65]	2.09 [53]
YA342TC3890	3														3.43 [88]	2.09 [53]		4.90 [124]					4.51 [115]	2.53 [65]		2.96 [75]	3.43 [88]	4.90 [124]	4.51 [115]	2.53 [65]	2.09 [53]	2.96 [75]	3.43 [88]	4.90 [124]		4.51 [115]	2.53 [65]	2.09 [53]	2.96 [75]	3.43 [88]	4.90 [124]	4.51 [115]	2.53 [65]	2.09 [53]	2.96 [75]	3.43 [88]	4.90 [124]	4.51 [115]	2.53 [65]
YA342G66	1	2.00 [51]	-	.56 [14]	6.33 [161]			.63 [16]		2.00 [51]	-	.56 [14]	6.33 [161]		.63 [16]	2.00 [51]		-					.56 [14]	6.33 [161]	.63 [16]	2.00 [51]	-	.56 [14]	6.33 [161]	.63 [16]	2.00 [51]	-	.56 [14]	6.33 [161]		.63 [16]	2.00 [51]	-	.56 [14]	6.33 [161]	.63 [16]								

SEE SHEET 1 OF 20 FOR VIEWS & NOTES

REV: PEO200	TO ORDER BURNDY® PRODUCTS CALL		HYLUG™	
	UNITED STATES		CAT. NO: N/A	
	1-800-346-4175 (LONDONDERRY, NH)		YA-2TC- (TABLE)	
	CANADA:		DRAWN BY: J. MICHAUD 11/8/93	
	1-800-361-6975 (QUEBEC)		CHECKER: R. ROBICHEAU 1/10/94	
	1-800-387-6487 (ALL OTHER PROVINCES)		DSN APPVL: C. PALAGI 1/12/94	
	FOR PRODUCT INFO: http://www.burndy.com		MFG APPVL: N/A --	
			QA APPVL: A. LLOYD 1/24/94	
		MKT APPVL: G. GORDON 1/20/94		
		SCALE: NTS		
		PROD FAM: CM&R COMPRESSION		
		DRAWING NO		
		REV		
		PROJECT #: --		
		SIZE		
		DOCUMENT TYPE: Sales		
		REL LEVEL: Released		
		SE208777		
		L		
		SHEET 16 OF 20		

REV	DATE	DESCRIPTION	ECO	BY	CHK.
L	01/27/2016 00:00:00 AM	ADDED NOTE 14	42734	SPR	DD

CATALOG NO.	FIG. NO.	CONDUCTOR SIZE (CODE)	BOLT SIZE	DIMENSIONS										INSTALLATION TOOLING (# CRIMPS)											
				B	C	E	H	K	L	N	O.D.	T REF.	Y MIN.	DIE INDEX	COLOR CODE	HYDRAULIC					DIELESS (# CRIMPS)	WIRE STRIP LENGTH			
																Y750, Y35 Y39	Y46	Y45	Y48B	Y60B					
YA362TC38	1	600 kcmil	3/8				-		5.59 [142]							22 OR 472	GREEN	U36RT U32ART (4)	U36RT U32ART (4)	U36RT U32ART (4)	C36R C32AR (2)	L36RT L32ART (2)	HYDRAULIC: Y644, Y644M Y644MBH, BAT644M Y1000 Y1000BH (1)	2-3/4	
YA362TC3845	2			2.69 [68]	1.74 [44]	1.00 [25]	3.44 [87]	.40 [10]	5.17 [131]	.50 [13]	1.19 [30]	.26 [7]	1.53 [39]												
YA362TC3890	3			4.04 [103]			2.81 [71]																		
YA382TC38	1	700 kcmil	3/8				-		5.76 [146]							400	PINK	U38RT (4)	U38RT (4)	U38RT (4)	-	L38RT (2)	HYDRAULIC: Y644M (1) BAT644M (1)	2-7/8	
YA382TC3845	2			2.81 [71]	1.84 [47]	1.00 [25]	3.60 [91]	.40 [10]	5.29 [134]	.50 [13]	1.25 [32]	.27 [7]	1.53 [39]												
YA382TC3890	3			4.21 [107]			2.84 [72]																		

SEE SHEET 1 OF 20 FOR VIEWS & NOTES

REV: PEO200

TO ORDER BURNDY® PRODUCTS CALL		HYLUG™	
UNITED STATES 1-800-346-4175 (LONDONDERRY, NH)		ITEM NO: N/A	CAT. NO: YA-2TC- (TABLE)
CANADA: 1-800-361-6975 (QUEBEC) 1-800-387-6487 (ALL OTHER PROVINCES)		DRAWN BY: J. MICHAUD 11/8/93	CHECKER: R. ROBICHEAU 1/10/94
FOR PRODUCT INFO: http://www.burndy.com		DSN APPVL: C. PALAGI 1/12/94	MFG APPVL: N/A --
		QA APPVL: A. LLOYD 1/24/94	MKT APPVL: G. GORDON 1/20/94
		PROD FAM: CM&R COMPRESSION	DRAWING NO: REV
		PROJECT #: --	SIZE: SE208777
		DOCUMENT TYPE: Sales	REL LEVEL: Released
		SCALE: NTS	
		SHEET 17 OF 20	

REV	DATE	DESCRIPTION	ECO	BY	C'H'K.
L	01/27/2016 00:00:00 AM	ADDED NOTE 14	42734	SPR	DD

D

D

C

C

B

B

A

A

CATALOG NO.	FIG. NO.	CONDUCTOR SIZE	BOLT SIZE	DIMENSIONS										INSTALLATION TOOLING (# CRIMPS)									
				B	C	E	H	K	L	N	O.D.	T REF.	Y MIN.	DIE INDEX	COLOR CODE	HYDRAULIC						DIELESS (# CRIMPS)	WIRE STRIP LENGTH
																Y750, Y35 Y39	Y46	Y45	Y48B	Y486RB	Y60B		
YA392NT38	1	750 kcmil	3/8	2.88 [73]	1.63 [41]	1.00 [25]	-	.40 [10]	5.87 [149]	.50 [13]	1.30 [33]	.27 [7]	1.53 [39]	24	BLACK	U39RT (4)	U39RT (4)	U39RT (4)	C39R (2)	F39R (2)	L39RT (2)	HYDRAULIC: Y644, Y644M Y644MBH, BAT644M Y1000 Y1000BH (1)	2-15/16
YA392NT3845	2				1.63 [41]		3.71 [94]		5.38 [137]														
YA392NT3890	3				1.63 [41]		4.32 [110]		2.87 [73]														
YA392TC38	1				1.91 [49]		-		5.87 [149]														
YA392TC3845	2				1.91 [49]		3.71 [94]		5.38 [137]														
YA392TC3890	3				1.91 [49]		4.32 [110]		2.87 [73]														

SEE SHEET 1 OF 20 FOR VIEWS & NOTES

TO ORDER BURNDY® PRODUCTS CALL		HYLUG™	
UNITED STATES 1-800-346-4175 (LONDONDERRY, NH)		ITEM NO: N/A	CAT. NO: YA- 2TC- (TABLE)
CANADA: 1-800-361-6975 (QUEBEC) 1-800-387-6487 (ALL OTHER PROVINCES)		DRAWN BY: J. MICHAUD 11/8/93	CHECKER: R. ROBICHEAU 1/10/94
FOR PRODUCT INFO: http://www.burndy.com		DSN APPVL: C. PALAGI 1/12/94	MFG APPVL: N/A --
		QA APPVL: A. LLOYD 1/24/94	MKT APPVL: G. GORDON 1/20/94
		PROD FAM: CM&R COMPRESSION	DRAWING NO: REV
		PROJECT #: --	SCALE: NTS
		DOCUMENT TYPE: Sales	SE208777
		REL LEVEL: Released	SHEET 18 OF 20



REV: PEO200

REV	DATE	DESCRIPTION	ECO	BY	C'K
L	01/27/2016 00:00:00 AM	ADDED NOTE 14	42734	SPR	DD

D

D

CATALOG NO.	FIG. NO.	CONDUCTOR SIZE	BOLT SIZE	DIMENSIONS										INSTALLATION TOOLING (# CRIMPS)										
				B	C	E	H	K	L	N	O.D.	T REF.	Y MIN.	DIE INDEX	COLOR CODE	HYDRAULIC				DIELESS (# CRIMPS)	WIRE STRIP LENGTH			
																Y46 4	Y45 3	Y48B	Y60B					
YA402TC38	1						-		5.94 [151]															
YA402TC3845	2	800 kcmil	3/8	2.94 [75]	1.98 [50]	1.00 [25]	3.81 [97]	.40 [10]	5.49 [139]	.50 [13]	1.35 [34]	.30 [8]	1.53 [39]	25	ORANGE	P40RT (4)	S40RT (4)	C40R (2)	L40RT (2)	HYDRAULIC: Y644, Y644M Y644MBH BAT644M, Y1000 Y1000BH (1)	3-1/16			
YA402TC3890	3						4.46 [113]		2.91 [74]															

C

C

B

B

A

A

SEE SHEET 1 OF 20 FOR VIEWS & NOTES

TO ORDER BURNDY® PRODUCTS CALL UNITED STATES 1-800-346-4175 (LONDONDERRY, NH) CANADA: 1-800-361-6975 (QUEBEC) 1-800-387-6487 (ALL OTHER PROVINCES) FOR PRODUCT INFO: http://www.burndy.com		HYLUG™	
		ITEM NO: N/A	CAT. NO: YA- 2TC- (TABLE)
DRAWN BY: J.MICHAUD 11/8/93		CHECKER: R.ROBICHEAU 1/10/94	
DSN APPVL: C.PALAGI 1/12/94		MFG APPVL: N/A --	
QA APPVL: A.LLOYD 1/24/94		MKT APPVL: G.GORDON 1/20/94	
PROD FAM: CM&R COMPRESSION		DRAWING NO	REV
PROJECT #: --		SIZE	SE208777
DOCUMENT TYPE: Sales		D	L
REL LEVEL: Released		SHEET 19 OF 20	



REV: PEO200

REV	DATE	DESCRIPTION	ECO	BY	CHK.
L	01/27/2016 00:00:00 AM	ADDED NOTE 14	42734	SPR	DD

D

D

CATALOG NO.	FIG. NO.	CONDUCTOR SIZE	BOLT SIZE	DIMENSIONS										INSTALLATION TOOLING (# CRIMPS)												
				B	C	E	H	K	L	N	O.D.	T REF.	Y MIN.	DIE INDEX	COLOR CODE	HYDRAULIC					DIELESS (# CRIMPS)	WIRE STRIP LENGTH				
																Y46	Y45	Y48B	Y486RB	Y60B						
YA442TC38	1	1000 kcmil	3/8				-		6.14 [156]																	
YA442TC3845	2			3.00 [76]	2.19 [56]	1.00 [25]	4.06 [103]	.40 [10]	5.71 [145]	.50 [13]	1.50 [38]	.33 [8]	1.53 [39]	27	WHITE	S44RT (4)	P44RT (4)	C44R (2)	F44R (2)	L44RT (2)	HYDRAULIC: Y644, Y644M BAT644M, Y644MBH Y1000 Y1000BH (1)	3-1/16				
YA442TC3890	3			4.70 [119]			3.02 [77]																			

C

C

B

B

A

A

SEE SHEET 1 OF 20 FOR VIEWS & NOTES

TO ORDER BURNDY® PRODUCTS CALL UNITED STATES 1-800-346-4175 (LONDONDERRY, NH) CANADA: 1-800-361-6975 (QUEBEC) 1-800-387-6487 (ALL OTHER PROVINCES) FOR PRODUCT INFO: http://www.burndy.com		HYLUG™	
		ITEM NO: N/A	CAT. NO: YA- 2TC- (TABLE)
DRAWN BY: J.MICHAUD 11/8/93		CHECKER: R.ROBICHEAU 1/10/94	
DSN APPVL: C.PALAGI 1/12/94		MFG APPVL: N/A --	
QA APPVL: A.LLOYD 1/24/94		MKT APPVL: G.GORDON 1/20/94	
PROD FAM: CM&R COMPRESSION		DRAWING NO	REV
PROJECT #: --	SIZE	SE208777	L
DOCUMENT TYPE: Sales	D	SHEET 20 OF 20	
REL LEVEL: Released			



REV: PEO200