

| REV | DATE | DESCRIPTION | ECO | BY | CHK. |
|-----|------------------------|-------------------------------|-------|----|------|
| F | 10/05/2014 00:00:00 AM | ADDED CATALOG NUMBER YA28TC14 | 38025 | AS | MB |

| CATALOG NUMBER | STRANDED COPPER CONDUCTOR ACCOMMODATED | | | BOLT SIZE | METRIC BOLT SIZE | DIMENSIONS | | | | | | | |
|----------------|--|------|----------------------------|-----------|------------------|------------|-----------|----------|-----------|----------|----------|---------|----------|
| | CODE (AWG) | NAVY | METRIC SIZE (CLASS 2) | | | B | C | K DIA. | L | N | O.D. | T REF. | Z MIN. |
| YA26 | 2/0 AWG | 125 | 70mm ² STR [11] | 3/8 | M10 | 1.50 [38] | .83 [21] | .40 [10] | 2.77 [70] | .41 [10] | .56 [14] | .12 [3] | .42 [11] |
| YA26N | | | | 1/2 | M12 | | .83 [21] | .56 [14] | 3.21 [82] | .63 [16] | .56 [14] | .12 [3] | .64 [16] |
| YA26TC14 | | | | 1/4 | M6 | | .83 [21] | .27 [7] | 2.58 [66] | .31 [8] | .56 [14] | .12 [3] | .32 [8] |
| YA26TC516 | | | | 5/16 | M8 | | .83 [21] | .33 [8] | 2.65 [67] | .34 [9] | .56 [14] | .12 [3] | .35 [9] |
| YA27 | 3/0 AWG | 150 | ----- | 1/2 | M12 | 1.50 [38] | .91 [23] | .53 [13] | 3.06 [78] | .53 [13] | .62 [16] | .13 [3] | .55 [14] |
| YA27N | | | | 1/2 | M12 | | .91 [23] | .56 [14] | 3.25 [82] | .63 [16] | .62 [16] | .13 [3] | .64 [16] |
| YA28TC14 | 4/0 AWG | 200 | ----- | 1/4 | M6 | 1.62 [41] | 1.02 [26] | .27 [7] | 2.79 [71] | .31 [8] | .69 [18] | .14 [4] | .33 [8] |
| YA28TC38 | | | | 3/8 | M10 | 1.62 [41] | 1.02 [26] | .40 [10] | 2.98 [76] | .41 [10] | .69 [18] | .14 [4] | .42 [11] |
| YA28 | | | | 1/2 | M12 | 1.62 [41] | 1.02 [26] | .53 [13] | 3.23 [82] | .53 [13] | .69 [18] | .14 [4] | .55 [14] |
| YA28N | | | | 1/2 | M12 | 1.62 [41] | 1.02 [26] | .56 [14] | 3.41 [87] | .63 [16] | .69 [18] | .14 [4] | .64 [16] |

| CONNECTOR SIZE | TOLERANCES | | | | | |
|----------------|------------|--------------|--------|------|------|------|
| | B | C | K DIA. | L | N | O.D. |
| -8C THRU -25 | ±.06 | ±.04 | ±.02 | ±.09 | ±.03 | ±.01 |
| -26 THRU -34 | ±.08 | ±.04 -.06 | ±.02 | ±.12 | ±.03 | ±.01 |
| -35 AND UP | ±.09 | ±.06 | ±.02 | ±.15 | ±.06 | ±.01 |

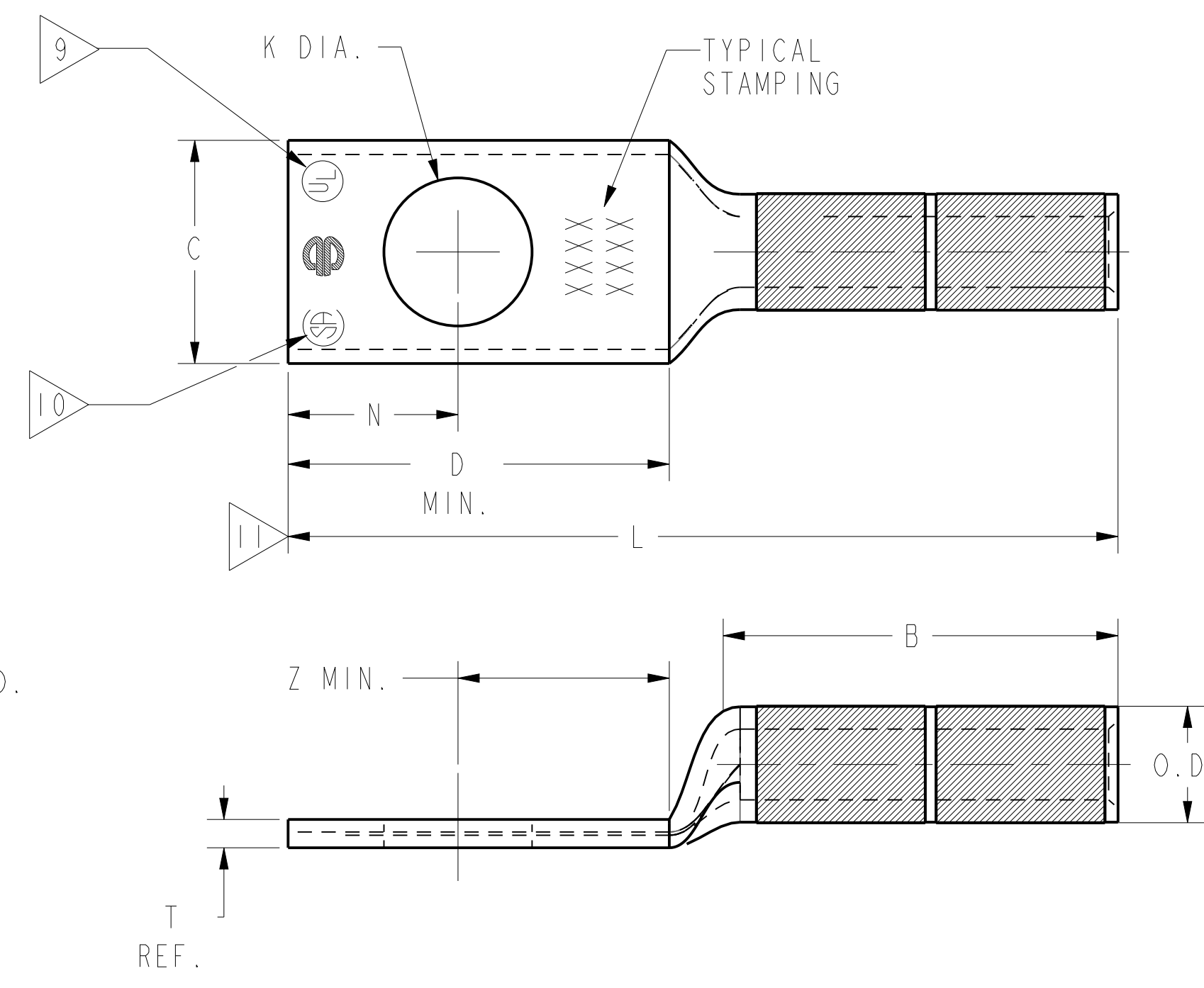
TOLERANCE BLOCK

INSTALLATION TOOLING (# CRIMPS)

| CATALOG NO. | COLOR CODE | DIE INFORMATION | | MECHANICAL | | | | HYDRAULIC | | | | | DIELESS (# CRIMPS) | WIRE STRIP LENGTH | | |
|--|------------|-----------------|---------------------------------|------------|----------|----------------------|----------------------|----------------------|---------------------|-------------------------|----------------|----------|-----------------------|-------------------|--|----------|
| | | DIE INDEX | TYPE | YIMRTC 6 | OUR840 | MD6 MD7 | MD6--R2 MD7-34R | PATMD6 PAT600 Y500CT | Y34A Y34B Y34BH 8 5 | Y35, Y39 Y750, PAT750 5 | Y46, PAT46 4 5 | Y45 3 5 | | | Y48B | Y60BHU |
| YA26 YA26N YA26TC14 YA26TC516 | BLACK | 13 | BLACK DIE SET NEST INDENTOR | ----- | X26RT(4) | W26RT(4) W26VT(4) | W26RT(4) W26VT(4) | W26RT(4) W26VT(4) | ----- | U26RT(2) | U26RT(2) | U26RT(2) | ----- | ----- | MECHANICAL: MY29-3(2) MY29-11(2) MRC840(4) | 1-9/16" |
| YA27 YA27N | ORANGE | 14 | ORANGE DIE SET NEST INDENTOR | ----- | X27RT(6) | W27RT(4) W27VT(4) | W27RT(4) W27VT(4) | W27RT(4) W27VT(4) | ----- | U27RT(2) | U27RT(2) | U27RT(2) | ----- | ----- | HYDRAULIC: PAT81KFT(2) Y81KFT(2) PAT4PC834(2) Y4PC834(2) PAT644(1) Y644(1) | 1-9/16" |
| YA28TC14 YA28TC38 YA28 YA28N | PURPLE | 15 | PURPLE DIE SET NEST INDENTOR | ----- | X28RT(6) | W28RT(4) W28VT(4) | W28RT(4) W28VT(4) | W28RT(4) W28VT(4) | ----- | U28RT(2) | U28RT(2) | U28RT(2) | C28R (2) L28RT (1) | ----- | ----- | 1-11/16" |

NOTES:

- MATERIAL : COPPER TUBING.
- FINISH: ELECTRO-TIN PLATED.
- CATALOG # PT6515 ADAPTOR IS REQUIRED TO USE "U" DIES IN Y45 SERIES TOOLS.
- CATALOG # PUADP-1 ADAPTOR IS REQUIRED TO USE "U" DIES IN Y46 SERIES TOOLS.
- Y35P3 INDENTOR ADAPTOR REQUIRED FOR Y34PR INDENTOR.
- PERMANENT DIE IN TOOLING.
- DIMENSIONS IN BRACKETS [] ARE IN MILLIMETERS ROUNDED OFF TO THE NEAREST MILLIMETER, UNLESS OTHERWISE NOTED, AND ARE FOR REFERENCE ONLY.
- FOR USE BY CUSTOMERS THAT HAVE THIS HYPRESS™. NO NEW Y34A HYPRESSES™ ARE BEING PROCESSED. Y34A USES A--D NEST DIES ONLY.
- CONNECTORS ARE UL LISTED; UNDRILLED VERSIONS ARE NOT UL LISTED.
- CONNECTORS ARE CSA CERTIFIED; UNDRILLED VERSIONS ARE NOT CSA CERTIFIED.
- FOR UNDRILLED VERSIONS ADD SUFFIX "U" TO END OF CATALOG NUMBER. FOR UNDRILLED VERSIONS, USE D MIN. = N MAX. + Z MIN.
- "X", "W-RT", "W-VT", "U", & "L" DIE SETS ARE COLOR CODED. "A", "B", AND "C" DIES ARE NOT COLOR CODED. NESTS AND INDENTOR TYPE ARE NOT COLOR CODED.
- FOR NICKEL PLATING ADD SUFFIX "NK" TO THE CATALOG NUMBER. NICKEL PLATED VERSIONS ARE UL & CSA LISTED.



REFERENCE: SD17179, (YA-2, YA-4) SE209241

| | | | |
|---|--|--------------------------------|------------------------------|
| TO ORDER BURNDY® PRODUCTS CALL | | HYLUG™ | |
| UNITED STATES 1-800-346-4175 (LONDONDERRY, NH) | | ITEM NO: N/A | CAT. NO: YA-, YA-N, YA-TC- |
| CANADA: 1-800-361-6975 (QUEBEC) 1-800-387-6487 (ALL OTHER PROVINCES) | | DRAWN BY: C. RACANO 6/16/77 | CHECKER: CAR 6/16/77 |
| FOR PRODUCT INFO: http://www.burndy.com | | DSN APPVL: R ROMAN 10/11/14 | MFG APPVL: N/A -- |
| | | GA APPVL: C KOWALCZYK 10/22/14 | MKT APPVL: K BOUTIN 10/78/14 |
| | | PROD FAM: -- | DRAWING NO: REV |
| | | PROJECT #: DO 37810 | SIZE: SD079849 |
| | | DOCUMENT TYPE: Sales | SHEET 4 OF 10 |
| | | REL LEVEL: Released | |

REV: PEO200