

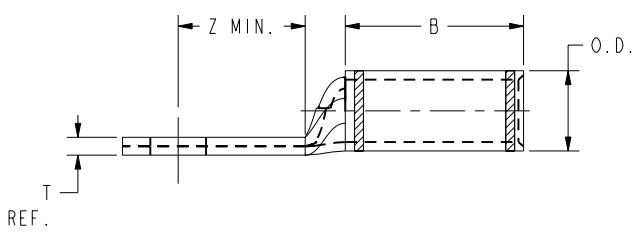
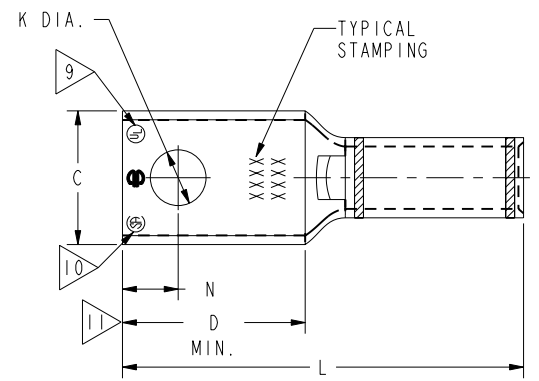
CATALOG NUMBER	STRANDED COPPER CONDUCTOR ACCOMMODATED			BOLT SIZE	METRIC BOLT SIZE	DIMENSIONS							
	CODE (AWG)	NAVY	METRIC SIZE (CLASS 2)			B	C	K DIA.	L	N	O.D.	T REF.	Z MIN.
YA27L2	3/0 AWG	150	----	1/4	M6	1.00 [25]	.91 [23]	.27 [7]	2.04 [52]	.25 [6]	.62 [16]	.13 [3]	.33 [8]
YA27L3				5/16	----	.33 [8]	2.16 [55]	.34 [9]	.62 [16]	.13 [3]	.36 [9]		
YA27L4				3/8	----	.40 [10]	2.29 [58]	.41 [10]	.62 [16]	.13 [3]	.42 [11]		
YA27L				1/2	M12	1.00 [25]	.91 [23]	.53 [13]	2.54 [65]	.53 [13]	.62 [16]	.13 [3]	.55 [14]
YA28L2	4/0 AWG	200	----	1/4	M6	.88 [22]	1.02 [26]	.27 [7]	1.96 [50]	.25 [6]	.69 [18]	.14 [4]	.33 [8]
YA28L3				5/16	----	.33 [8]	2.08 [53]	.34 [9]	.69 [18]	.14 [4]	.36 [9]		
YA28L4				3/8	----	.40 [10]	2.21 [56]	.41 [10]	.69 [18]	.14 [4]	.42 [11]		
YA28L				1/2	M12	.53 [13]	2.46 [62]	.53 [13]	.69 [18]	.14 [4]	.55 [14]		
YA28L17				5/8	M16	1.02 [26]	1.02 [26]	.69 [18]	2.71 [69]	.66 [17]	.69 [18]	.14 [4]	.67 [17]
YA28L56				3/4	----	.88 [22]	1.05 [27]	.81 [21]	2.90 [74]	.75 [19]	.69 [18]	.13 [3]	.77 [20]

CONNECTOR SIZE	TOLERANCES					
	B	C	K DIA.	L	N	O.D.
-8C THRU -25	±.06	±.04	±.02	±.09	±.03	±.01
-26 THRU -34	±.08	±.04	±.02	±.12	±.03	±.01
-35 AND UP	±.09	±.06	±.02	±.15	±.06	±.01

TOLERANCE BLOCK

CATALOG NO.	COLOR CODE	DIE INFORMATION		MECHANICAL				HYDRAULIC				DIELESS (# CRIMPS)	WIRE STRIP LENGTH			
		DIE INDEX	TYPE	YIMRTC	OUR840	MD6 MD7	MD6--R2 MD7-34R	Y500CT PATMD6 PAT600	Y34A Y34B Y34BH	Y35, Y39 Y750, BAT35 PAT750	Y46 PAT46			Y45	Y48B	Y60BHU
YA27L2 YA27L3 YA27L4 YA27L	ORANGE	14	ORANGE DIE SET	----	X27RT(3)	X27RT(3) W27RT(2) W27VT(2)	X27RT(3) W27RT(2) W27VT(2)	X27RT(3) W27RT(2) W27VT(2)	-----	U27RT(1)	U27RT(1)	U27RT(1)	-----	-----	MECHANICAL MY29-3(1) MY29-11(1) MRC840 (2)	1-1/16"
			NEST	----	-----	-----	-----	-----	A27D(1) B27D(1)	U27D-1(1)	U27D-1(1)	U27D-1(1)	-----	-----		
			INDENTOR	----	-----	-----	-----	-----	Y34PR	Y34PR	Y34PR	Y34PR	-----	-----		
YA28L2 YA28L3 YA28L4 YA28L YA28L17 YA28L56	PURPLE	15	PURPLE DIE SET	----	X28RT(3)	X28RT(3) W28RT(2) W28VT(2)	X28RT(3) W28RT(2) W28VT(2)	X28RT(3) W28RT(2) W28VT(2)	-----	U28RT(1)	U28RT(1)	U28RT(1)	C28R(1)	L28RT(1)	HYDRAULIC: Y644 (1) Y81KFT (2) Y4PC834 (2)	1-1/8"
			NEST	----	-----	-----	-----	-----	A28D(1) B28D(1)	U28D-1(1)	U28D-1(1)	U28D-1(1)	C28D(1)	-----		
			INDENTOR	----	-----	-----	-----	-----	Y34PR	Y34PR	Y34PR	Y34PR	Y34PR	-----		

- NOTES:**
- MATERIAL: COPPER TUBING.
 - FINISH: TIN PLATED.
"FOR ALTERNATIVE FINISH ADD ONE OF THE FOLLOWING SUFFIXES:
NICKEL = NK, LEAD = LD, BARE = BR"
 - CATALOG # PT6515 ADAPTOR IS REQUIRED TO USE "U" DIES IN Y45 SERIES TOOLS.
 - CATALOG # PUADP-1 ADAPTOR IS REQUIRED TO USE "U" DIES IN Y46 SERIES TOOLS.
 - Y35P3 INDENTOR ADAPTOR REQUIRED FOR Y34PR INDENTOR.
 - PERMANENT DIE IN TOOLING.
 - DIMENSIONS IN BRACKETS [] ARE IN MILLIMETERS ROUNDED OFF TO THE NEAREST MILLIMETER, UNLESS OTHERWISE NOTED, AND ARE FOR REFERENCE ONLY.
 - FOR USE BY CUSTOMERS THAT HAVE THIS HYPRESS™. NO NEW Y34A HYPRESS™ TOOLS ARE BEING PROCESSED. Y34A USES A--D NEST DIES ONLY.
 - CONNECTORS ARE UL LISTED; UNDRILLED VERSIONS ARE NOT UL LISTED.
 - CONNECTORS ARE CSA CERTIFIED. UNDRILLED VERSIONS ARE NOT CSA CERTIFIED.
 - FOR UNDRILLED VERSIONS ADD SUFFIX "-U" TO END OF CATALOG NUMBER.
FOR UNDRILLED VERSIONS, USE D MIN. = N MAX. + Z MIN.
 - "X", "W-RT", "W-VT", "U" & "L" DIE SETS ARE COLOR CODED. "A", "B" AND "C" DIES ARE NOT COLOR CODED. NESTS AND INDENTOR TYPE ARE NOT COLOR CODED.
 - THESE PARTS CAN BE ORDERED WITH NO INK MARKING ON THE BARREL. THE CATALOG NUMBERS FOR THESE PARTS ARE YA27L2G1, YA27L3G1, YA27L4G1, YA27L6G1 AND YA28L4G1.



REFERENCE: SE209240

TO ORDER BURNDY® PRODUCTS CALL		COPPER HYLUG™	
UNITED STATES 1-800-346-4175 (LONDONDERRY, NH)		ITEM NO: N/A	CAT. NO: YA27-L, YA28-L (SEE TABLE)
CANADA: 1-800-361-6975 (QUEBEC) 1-800-387-6487 (ALL OTHER PROVINCES)		DRAWN BY: J MICHAUD 08/08/1994	CHECKER: D FILLION 10/03/1994
FOR PRODUCT INFO: http://www.burndy.com		DSN APPVL: C PALAGI 08/19/1994	MFG APPVL: N/A N/A
		QA APPVL: C ACKERMAN 08/30/1994	MKT APPVL: T NELSON 09/07/1994
		PROJ #: --	SIZE: D
		DOCUMENT TYPE: Sales	REL LEVEL: Released
		PROJ FAM: CM&R COMPRESSION	DRAWING NO: SD079848
		SCALE: 1:1	REV: D
		SHEET 10 OF 17	

REV: PE0200