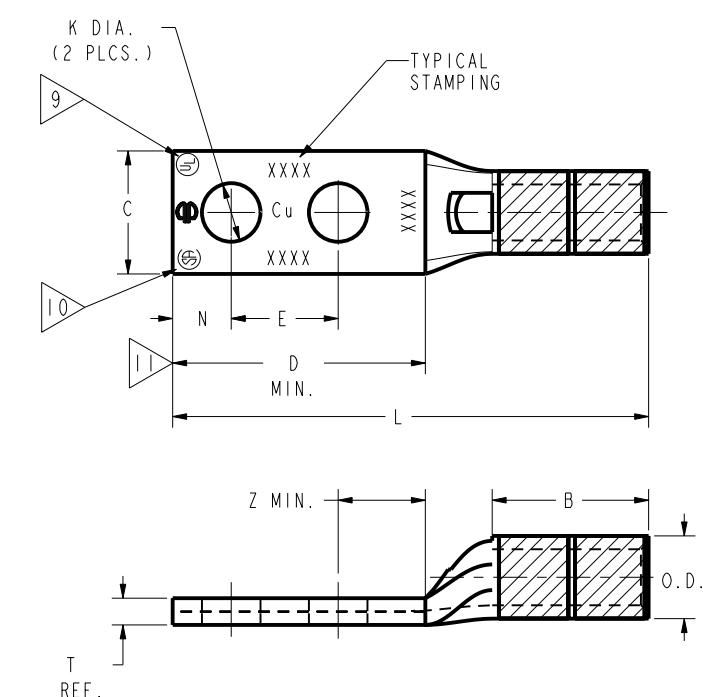


CATALOG NUMBER	STRANDED COPPER CONDUCTOR ACCOMMODATED			BOLT SIZE	METRIC BOLT SIZE	DIMENSIONS								
	CODE (AWG)	NAVY	METRIC SIZE (CLASS 2)			B	C	E	K DIA.	L	N	O.D.	T REF.	Z MIN.
YA3CL2TC14	#3 AWG	50	25mm ² STR [6.6]	1/4	M6	.88 [22]	.55 [14]	.62 [16]	.27 [7]	2.45 [62]	.31 [8]	.38 [10]	.09 [2]	.33 [8]
YA3CL2TC14E1				1/4	M6	.55 [14]	1.00 [25]	.27 [7]	2.83 [72]	.31 [8]	.38 [10]	.09 [2]	.33 [8]	
YA3C2L				5/16	M8	.55 [14]	.75 [19]	.33 [8]	2.64 [67]	.34 [9]	.38 [10]	.09 [2]	.36 [9]	
YA3CL2TC38	#2 SOL	60	-----	3/8	M10	.58 [15]	1.00 [25]	.39 [10]	3.06 [78]	.41 [10]	.38 [10]	.08 [2]	.42 [11]	
YA2CL2TC14				1/4	M6	.60 [15]	.62 [16]	.27 [7]	2.47 [63]	.31 [8]	.42 [11]	.11 [3]	.33 [8]	
YA2CL2TC14E2				1/4	M6	.60 [15]	.75 [19]	.27 [7]	2.60 [66]	.31 [8]	.42 [11]	.11 [3]	.33 [8]	
YA2CL2TC14E10	#2 AWG	60	-----	1/4	M6	.60 [15]	1.25 [32]	.27 [7]	3.10 [79]	.31 [8]	.42 [11]	.11 [3]	.33 [8]	
YA2CL2TC14E1				1/4	M6	.60 [15]	1.00 [25]	.27 [7]	2.85 [72]	.31 [8]	.42 [11]	.11 [3]	.33 [8]	
YA2CL2NT14E1				1/4	M6	.48 [12]	1.00 [25]	.27 [7]	2.85 [72]	.31 [8]	.42 [11]	.11 [3]	.33 [8]	
YA2C2L	#2 AWG	60	-----	5/16	M8	.60 [15]	.75 [19]	.33 [8]	2.67 [68]	.34 [9]	.38 [10]	.09 [2]	.36 [9]	
YA2CL2TC516				5/16	M8	.60 [15]	1.00 [25]	.33 [8]	2.91 [74]	.34 [9]	.38 [10]	.09 [2]	.36 [9]	
YA2CL2TC38				3/8	M10	.60 [15]	1.00 [25]	.40 [10]	3.03 [77]	.41 [10]	.38 [10]	.08 [2]	.42 [11]	
YA2C2LN	1/2	M12	.88 [22]	.83 [21]	1.75 [44]	.56 [14]	4.27 [108]	.63 [16]	.42 [11]	.12 [3]	.64 [16]			



INSTALLATION TOOLING (# CRIMPS)

CATALOG NO.	COLOR CODE	DIE INFORMATION		MECHANICAL				HYDRAULIC						DIELESS (# CRIMPS)	WIRE STRIP LENGTH
		DIE INDEX	TYPE	YIMRTC	OUR840	MD6 MD7	MD6--R2 MD7-34R	Y34A Y34B Y34BH	Y500CT PAT600 PATMD6	Y35, Y39, Y750, PAT750	Y46 PAT46	Y45	Y48B		
YA3CL2TC14 YA3CL2TC14E1 YA3C2L YA3CL2TC38	WHITE	9	WHITE DIE SET NEST INDENTOR	WHITE (2)	W3CRT (1)	W3CRT (1)	W3CRT (1)	----- B3CD(1) A3CD(1) Y34PR	W3CRT (1)	U3CRT(1)	U3CRT(1)	U3CRT(1)	----- Y34PR	MECHANICAL: MY29-3(1) MY29-11(1) MRC840(1)	15/16"
YA2CL2TC14 YA2CL2TC14E2 YA2CL2TC14E10 YA2CL2TC14E1 YA2CL2NT14E1 YA2C2L YA2CL2TC516 YA2CL2TC38 YA2C2LN	BROWN	10	BROWN DIE SET NEST INDENTOR	BROWN(2)	X2CRT(1)	W2CRT(1) W2CVT(1)	W2CRT(1) W2CVT(1)	----- B2CD(1) A2CD(1) Y34PR	X2CRT(1) W2CRT(1) W2CVT(1)	U2CRT(1)	U2CRT(1)	U2CRT(1)	----- Y34PR	HYDRAULIC: Y644M(1) Y81KFT(1) Y4PC834(1) Y644(1)	

NOTES:

- MATERIAL: COPPER TUBING.
- FINISH: TIN PLATED.
- CATALOG # PT6515 ADAPTOR IS REQUIRED TO USE "U" DIES IN Y45 SERIES TOOLS.
- CATALOG # PUADP-1 ADAPTOR IS REQUIRED TO USE "U" DIES IN Y46 SERIES TOOLS.
- Y35P3 INDENTOR ADAPTOR REQUIRED FOR Y34PR INDENTOR.
- PERMANENT DIE IN TOOLING.
- DIMENSIONS IN BRACKETS [] ARE IN MILLIMETERS ROUNDED OFF TO THE NEAREST MILLIMETER, UNLESS OTHERWISE NOTED, AND ARE FOR REFERENCE ONLY.
- FOR USE BY CUSTOMERS THAT HAVE THIS HYPRESS™. NO NEW Y34A HYPRESS™ TOOLS ARE BEING PROCESSED. Y34A USES A--D TYPE NEST DIES.
- CONNECTORS ARE UL LISTED; UNDRILLED VERSIONS ARE NOT UL LISTED.
- CONNECTORS ARE CSA CERTIFIED; UNDRILLED VERSIONS ARE NOT CSA CERTIFIED.

CONNECTOR SIZE	TOLERANCES						
	B	C	E	K DIA.	L	N	O.D.
-8C THRU -25	±.06	±.04	±.02	±.02	±.09	±.03	±.01

TOLERANCE BLOCK

REFERENCE: SE209512
SUPERSEDES: SC91923

11 FOR UNDRILLED VERSIONS ADD SUFFIX "-U" TO END OF CATALOG NUMBER. FOR UNDRILLED VERSIONS, USE D MIN. = N MAX. + E MIN. + Z MIN.

12. "X", "W-RT", "W-VT", "U", & "L" DIE SETS ARE COLOR CODED. "A", "B", AND "C" DIES ARE NOT COLOR CODED. NESTS AND INDENTOR TYPE ARE NOT COLOR CODED.

TO ORDER BURNDY® PRODUCTS CALL		HYLUG™ COPPER	
UNITED STATES 1-800-346-4175 (LONDONDERRY, NH)		ITEM NO: N/A	
CANADA: 1-800-361-6975 (QUEBEC) 1-800-387-6487 (ALL OTHER PROVINCES)		CAT. NO: YA--2L-, YA--2TC- (TABLE)	
FOR PRODUCT INFO: http://www.burndy.com		DRAWN BY: J.MICHAUD 11/16/94	
		CHECKER: D.FILLION 11/16/94	
		DSN APPVL: C.PALAGI 16/24/94	
		MFG APPVL: --	
		QA APPVL: C.ACKERMAN 11/17/94	
		MKT APPVL: T.NELSON 11/14/94	
		SCALE: NTS	
		PROJ. #: --	
		SIZE: D	
		DRAWING NO: SD035209	
		SHEET 5 OF 18	
		REV: E	

REV: PE0200