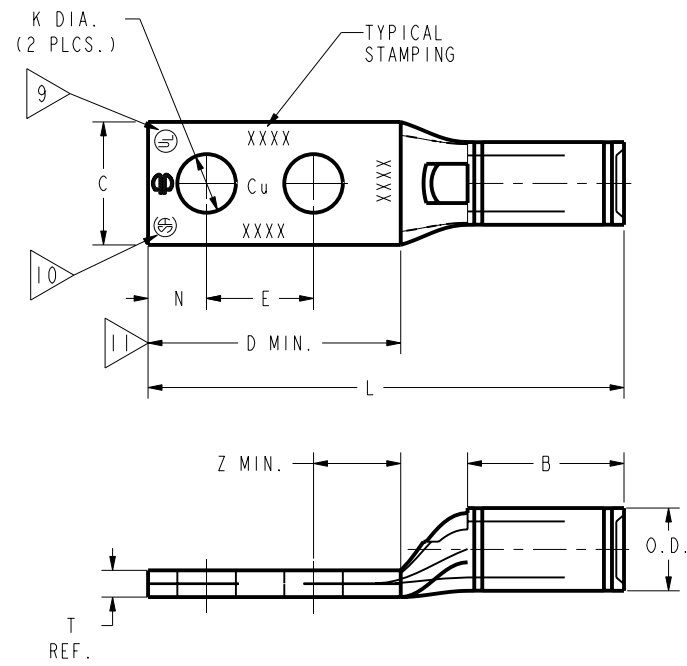


DRAWING NO.  
SD035209

CATALOG NUMBER	STRANDED COPPER CONDUCTOR ACCOMMODATED			BOLT SIZE	METRIC BOLT SIZE	DIMENSIONS								
	CODE (AWG)	NAVY	METRIC SIZE (CLASS 2)			B	C	E	K DIA.	L	N	O.D.	T REF.	Z MIN.
YA31L2TC14E2	350 kcmil	350	-----	1/4	M6	1.06 [27]	1.29 [33]	.75 [19]	.27 [7]	3.07 [78]	.31 [8]	.88 [22]	.18 [5]	.33 [8]
YA31L2NTC516				5/16	-----	.75 [19]	.33 [8]	4.13 [105]	.34 [9]	.88 [22]	.18 [5]	.36 [9]		
YA312L				3/8	-----	1.06 [27]	.40 [10]	3.57 [91]	.41 [10]	.88 [22]	.18 [5]	.42 [11]		
YA31L2TC38				3/8	-----	1.00 [25]	.40 [10]	3.51 [89]	.41 [10]	.88 [22]	.18 [5]	.42 [11]		
YA31L2TC12				1/2	M12	1.25 [32]	.52 [13]	4.01 [102]	.53 [13]	.88 [22]	.18 [5]	.55 [14]		
YA312L12				1/2	M12	1.50 [38]	.52 [13]	4.26 [108]	.53 [13]	.88 [22]	.18 [5]	.55 [14]		
YA312LN				1/2	M12	1.75 [44]	.56 [14]	4.70 [119]	.62 [16]	.88 [22]	.18 [5]	.64 [16]		
YA322L	400 kcmil	400	-----	3/8	-----	1.19 [5]	1.40 [36]	1.06 [27]	.40 [10]	3.75 [95]	.41 [10]	.95 [24]	.19 [5]	.42 [11]
YA32L2TC38				3/8	-----	1.00 [25]	.40 [10]	3.69 [94]	.41 [10]	.95 [24]	.19 [5]	.42 [11]		
YA32L2TC38E5				3/8	-----	1.06 [27]	.40 [10]	3.75 [95]	.41 [10]	.95 [24]	.19 [5]	.42 [11]		
YA322LN				1/2	M12	1.75 [44]	.56 [14]	4.88 [124]	.63 [16]	.95 [24]	.19 [5]	.64 [16]		

REV	DATE	DESCRIPTION	ECO	BY	CHECK
B	3/20/2009 12:00:00 AM	REVISION INTO PRO-1	17207	DG	MA



INSTALLATION TOOLING (# CRIMPS)

CATALOG NO.	COLOR CODE	DIE INFORMATION		MECHANICAL					HYDRAULIC					DIELESS (# CRIMPS)	WIRE STRIP LENGTH	
		DIE INDEX	TYPE	Y2MR	OUR840	MD6 MD7	MD6--2 BAT500	MD7-34R	Y34A Y34B Y34BH	Y35, Y39 Y750, BAT35 BAT750	Y46	Y45	Y48B			Y60BHU
YA31-L SERIES	RED	18	RED DIE SET	-----	-----	-----	W31RT(2) W31VT(2)	W31VT(2)	-----	U31RT(2) U29ART(2)	U31RT(2) U29ART(2)	U31RT(2) U29ART(2)	C31R(2) C29AR(2)	L31RT(1) L29ART(1)	HYDRAULIC: Y644M(1) BAT644M(1)	1-1/8"
		324	NEST INDENTOR	-----	-----	-----	-----	-----	B31D(1) A31D(1) Y34PR	U31D-1(1) Y34PR	U31D-1(1) Y34PR	U31D-1(1) Y34PR	C31D(1) Y48PR	-----		
		19	BLUE DIE SET	-----	-----	-----	W32RT(2) W32VT(2)	W32VT(2)	-----	U32RT(2) U30ART(2)	U32RT(2) U30ART(2)	U32RT(2) U30ART(2)	C32R(1) C30AR(1)	L32RT(1) L30ART(1)		
YA32-L SERIES	BLUE	470	NEST INDENTOR	-----	-----	-----	-----	-----	B32D(1) A32D(1) Y34PR	U32D-1(1) Y34PR	U32D-1(1) Y34PR	U32D-1(1) Y34PR	C32D(1) Y48PR	-----	1-1/4"	

NOTES:

- MATERIAL: COPPER TUBING.
- FINISH: TIN PLATED.
- CATALOG # PT6515 ADAPTOR IS REQUIRED TO USE "U" DIES IN Y45 SERIES TOOLS.
- CATALOG # PUADP-1 ADAPTOR IS REQUIRED TO USE "U" DIES IN Y46 SERIES TOOLS.
- Y35P3 INDENTOR ADAPTOR REQUIRED FOR Y34PR INDENTOR.
- PERMANENT DIE IN TOOLING.
- DIMENSIONS IN BRACKETS [ ] ARE IN MILLIMETERS ROUNDED OFF TO THE NEAREST MILLIMETER, UNLESS OTHERWISE NOTED, AND ARE FOR REFERENCE ONLY.
- FOR USE BY CUSTOMERS THAT HAVE THIS HYPRESS™ NO NEW Y34A HYPRESS™ TOOLS ARE BEING PROCESSED. Y34A USES A-D TYPE NEST DIES.
- CONNECTORS ARE UL LISTED; UNDRILLED VERSIONS ARE NOT UL LISTED.
- CONNECTORS ARE CSA CERTIFIED; UNDRILLED VERSIONS ARE NOT CSA CERTIFIED.
- FOR UNDRILLED VERSIONS ADD SUFFIX "-U" TO END OF CATALOG NUMBER. FOR UNDRILLED VERSIONS, USE D MIN. = N MAX. + E MIN. + Z MIN.
- "X", "W-RT", "W-VT", "U", & "L" DIE SETS ARE COLOR CODED. "A", "B", AND "C" DIES ARE NOT COLOR CODED. NESTS AND INDENTOR TYPE ARE NOT COLOR CODED.

CONNECTOR SIZE	TOLERANCES						
	B	C	E	K DIA.	L	N	O.D.
-8C THRU -25	±.06	±.04	±.02	±.02	±.09	±.03	±.01
-26 THRU -34	±.08	±.04	±.02	±.02	±.12	±.03	±.01
-35 AND UP	±.09	±.06	±.02	±.02	±.15	±.06	±.01

TOLERANCE BLOCK

CATALOG NO: YA312L12  
SUPERSEDES: SD29008

TO ORDER BURNDY® PRODUCTS CALL		HYLUG™ COPPER	
UNITED STATES 1-800-346-4175 (LONDONDERRY, NH)		ITEM NO: N/A	DRAWING NO: SD035209
CANADA: 1-800-361-6975 (QUEBEC) 1-800-387-6487 (ALL OTHER PROVINCES)		CAT. NO: YA--2L-, YA--2TC- (TABLE)	REV: B
FOR PRODUCT INFO: <a href="http://www.burndy.com">http://www.burndy.com</a>		DRAWN BY: J.MICHAUD 11/18/94	SCALE: NTS
		CHECKER: D.FILLION 11/18/94	
		DSN APPVL: C.PALAGI 10/24/94	
		MFG APPVL: N/A	
		QA APPVL: C.ACKERMAN 11/17/94	
		MKT APPVL: T.NELSON 11/10/94	
		PROJ #:	SIZE: D
		DOCUMENT TYPE: Sales	SHEET 10 OF 18
		REL LEVEL: Released	

REV: PE0200