

DRAWING NO.  
SD079849

REV	DATE	DESCRIPTION	ECO	BY	C'H'K.
B	10/11/2010 5:00:00 PM	UPDATED TOOLING LIST ON SALES DRAWING.	22390	BT	MA

CATALOG NUMBER	STRANDED COPPER CONDUCTOR ACCOMMODATED			BOLT SIZE	METRIC BOLT SIZE	DIMENSIONS							
	CODE (AWG)	NAVY	METRIC SIZE (CLASS 2)			B	C	K DIA.	L	N	O.D.	T REF.	Z MIN.
YA38	700 kcmil	-----	-----	5/8	M16	2.81 (71)	1.84 (47)	.69 [17]	5.07 (129)	.66 [17]	1.25 (32)	.27 (7)	.67 [17]
YA38N				1/2	M12	2.81 (71)	1.84 (47)	.56 [14]	5.01 (127)	.63 [16]	1.25 (32)		.64 [16]
YA39	750 kcmil	-----	375mm <sup>2</sup> STR	5/8	M16	2.88 (73)	1.91 (49)	.69 [17]	5.17 (131)	.66 [17]	1.30 (33)	.27 (7)	.67 [17]
YA39N				1/2	M12	2.88 (73)	1.91 (49)	.56 [14]	5.11 (130)	.63 [16]	1.30 (33)		.64 [16]
YA40	800 kcmil	-----	400mm <sup>2</sup> STR (26.1)	5/8	M16	2.94 (75)	1.98 (50)	.69 [17]	5.25 (138)	.66 [17]	1.35 (34)	.30 (8)	.67 [17]
YA40N				1/2	M12	2.94 (75)	1.98 (50)	.56 [14]	5.19 (132)	.63 [16]	1.35 (34)		.64 [16]

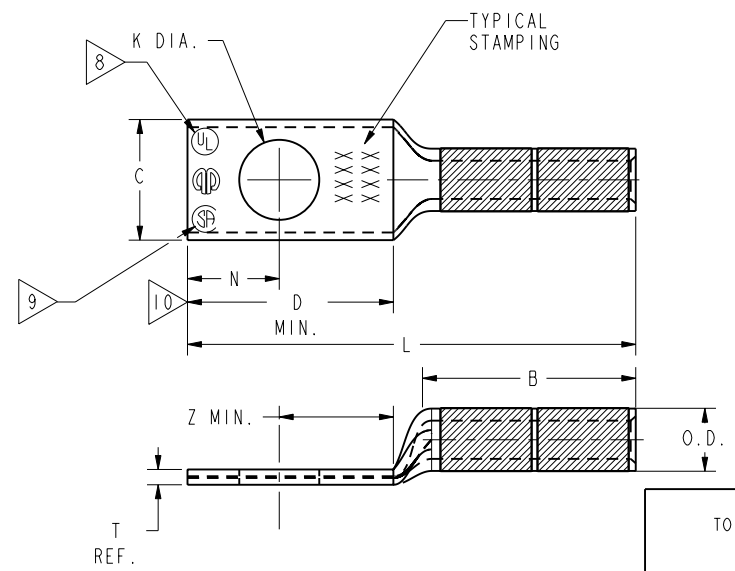
CONNECTOR SIZE	TOLERANCES					
	B	C	K DIA.	L	N	O.D.
-8C THRU -25	±.06	+.04 -.02	±.02	±.09	±.03	±.01
-26 THRU -34	±.08	+.04 -.06	±.02	±.12	±.03	±.01
-35 AND UP	±.09	±.06	±.02	±.15	±.06	±.01

TOLERANCE BLOCK

INSTALLATION TOOLING (# CRIMPS)																
CATALOG NO.	COLOR CODE	DIE INFORMATION		MECHANICAL				HYDRAULIC						DIELESS (# CRIMPS)	WIRE STRIP LENGTH	
		DIE INDEX	TYPE	YIMRTC $\triangleleft$ 5	OUR840	MD6 MD7	MD6--R2 MD7-34R	PATMD6 PAT600 Y500CT	Y34A Y34B Y34BH $\triangleleft$ 7	Y35, Y39 Y750, PAT750	Y46, PAT46 $\triangleleft$ 4	Y45 $\triangleleft$ 3	Y48B			Y60BHU
YA38 YA38N	PINK	400	PINK DIE SET	-----	-----	-----	-----	-----	-----	U38RT(4)	U38RT(4)	U38RT(4)	-----	L38RT(2)	HYDRAULIC: PAT81KFT(4) Y81KFT(4) PAT4PC834(4) Y4PC834(4) PAT644(1) Y644(1)	2-7/8"
YA39 YA39N	BLACK	24	BLACK DIE SET	-----	-----	-----	-----	-----	-----	U39RT(4)	U39RT(4) P39RT(4)	U39RT(4) S39RT(4)	C39R(2) C36AR(2)	L39RT(2) L36ART(2)		2-15/16"
YA40 YA40N	ORANGE	25	ORANGE DIE SET	-----	-----	-----	-----	-----	-----	-----	P40RT(4)	S40RT(4)	C40R(2)	L40RT(2)	3"	
			NEST INDENTOR	-----	-----	-----	-----	-----	-----	-----	P40D(2) P44PR	-----	C40D(2) Y48PR	-----		

NOTES:

- MATERIAL : COPPER TUBING.
- FINISH: ELECTRO-TIN PLATED.
- CATALOG # PT6515 ADAPTOR IS REQUIRED TO USE "U" DIES IN Y45 SERIES TOOLS.
- CATALOG # PUADP-1 ADAPTOR IS REQUIRED TO USE "U" DIES IN Y46 SERIES TOOLS.
- PERMANENT DIE IN TOOLING.
- DIMENSIONS IN BRACKETS [ ] ARE IN MILLIMETERS ROUNDED OFF TO THE NEAREST MILLIMETER, UNLESS OTHERWISE NOTED, AND ARE FOR REFERENCE ONLY.
- FOR USE BY CUSTOMERS THAT HAVE THIS HYPRESS<sup>TM</sup>. NO NEW Y34A HYPRESSES<sup>TM</sup> ARE BEING PROCESSED. Y34A USES A--D NEST DIES.
- CONNECTORS ARE UL LISTED; UNDRILLED VERSIONS ARE NOT UL LISTED.
- CONNECTORS ARE CSA CERTIFIED; UNDRILLED VERSIONS ARE NOT CSA CERTIFIED.
- FOR UNDRILLED VERSIONS ADD SUFFIX "U" TO END OF CATALOG NUMBER. FOR UNDRILLED VERSIONS, USE D MIN. = N MAX. + Z MIN.
- "X", "W-RT", "W-VT", "U", & "L" DIE SETS ARE COLOR CODED. "A", "B", AND "C" DIES ARE NOT COLOR CODED. NESTS AND INDENTOR TYPE ARE NOT COLOR CODED.



REFERENCE: SD17179 (YA-2, YA-4)  
SE209241

TO ORDER BURNDY® PRODUCTS CALL		HYLUG <sup>TM</sup>	
UNITED STATES 1-800-346-4175 (LONDONDERRY, NH)		ITEM NO: N/A	CAT. NO: YA-, YA-N, YA-TC-
CANADA: 1-800-361-6975 (QUEBEC) 1-800-387-6487 (ALL OTHER PROVINCES)		DRAWN BY: J MICHAUD 8/22/94	CHECKER: D. FILLION 8/22/94
FOR PRODUCT INFO: <a href="http://www.burndy.com">http://www.burndy.com</a>		DSN APPVL: C PALAGI 8/25/94	MFG APPVL: N/A
		QA APPVL: C ACKERMAN 9/9/94	MKT APPVL: T NELSON 9/7/94
		PROJ #:	SIZE: D
		PROJECT #:	SCALE: NTS
		DOCUMENT TYPE: Sales	DRAWING NO: SD079849
		REL LEVEL: Released	SHEET 8 OF 10

REV: PE0200