

CATALOG NUMBER	STRANDED COPPER CONDUCTOR ACCOMMODATED			BOLT SIZE	METRIC BOLT SIZE	DIMENSIONS							
	CODE (AWG)	NAVY	METRIC SIZE (CLASS 2)			B	C	K DIA.	L	N	O.D.	T REF.	Z MIN.
YA8CL	#8 AWG	23	10mm ² STR [4.2]	8-10	----	.44 [11]	.41 [10]	.21 [5]	1.16 [29]	.22 [6]	.27 [7]	.08 [2]	.26 [7]
YA8CLG4				8-10	----	.36 [9]	.21 [5]	1.16 [29]	.22 [6]	.09 [2]	.26 [7]		
YA8CL1				1/4	M6	.44 [11]	.27 [7]	1.26 [32]	.25 [6]	.08 [2]	.33 [8]		
YA8CL2				5/16	----	.52 [13]	.33 [8]	1.38 [35]	.34 [9]	.06 [2]	.36 [9]		
YA8CL3				3/8	----	.58 [15]	.40 [10]	1.51 [38]	.41 [10]	.06 [2]	.42 [11]		
YA8CL4				1/2	M12	.71 [18]	.53 [13]	1.76 [45]	.53 [13]	.05 [1]	.55 [14]		

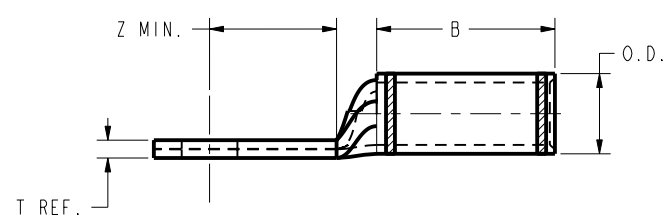
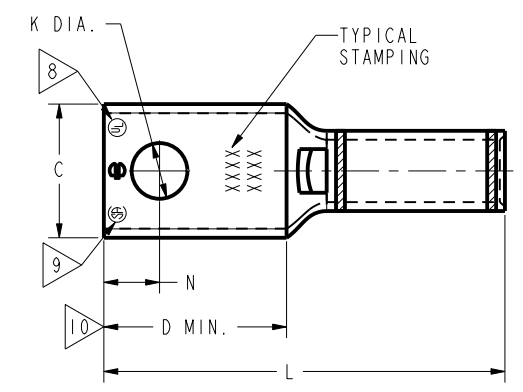
CONNECTOR SIZE	TOLERANCES					
	B	C	K DIA.	L	N	O.D.
-8C THRU -25	±.06	±.04	±.02	±.09	±.03	±.01
-26 THRU -34	±.08	±.04	±.02	±.12	±.03	±.01
-35 AND UP	±.09	±.06	±.02	±.15	±.06	±.01

TOLERANCE BLOCK

CATALOG NO.	COLOR CODE	DIE INFORMATION		MECHANICAL				HYDRAULIC					DIELESS (# CRIMPS)	WIRE STRIP LENGTH		
		DIE INDEX	TYPE	Y122CMR Y1MRTC	OUR840	MD6 MD7	MD6--R2 MD7-34R	Y500CT PATMD6 PAT600	Y34A Y34B Y34BH	Y35, Y39, Y750, PAT750	Y46, PAT46	Y45			Y48B	Y60BHU
YA8CL YA8CL1 YA8CL2 YA8CL3 YA8CL4 YA8CLG4	RED	49	RED DIE SET	RED (1)	X8CRT(1) W8CRT(1) W8CVT(1)	X8CRT(1) W8CVT(1) W8CRT(1)	X8CRT(1) W8CVT(1) W8CRT(1)	X8CRT(1) W8CVT(1) W8CRT(1)	-----	U8CRT(1)	U8CRT(1)	U8CRT(1)	-----	-----	RATCHET: Y8MRB-1(1) MECHANICAL: MY29-3(1) MY29-11(1) MRC840(1) HYDRAULIC: Y81KFT (1) Y4PC834 (1)	7/16"
			NEST	-----	-----	-----	-----	-----	-----	-----	-----	-----	-----	-----		
			INDENTOR	-----	-----	-----	-----	-----	-----	-----	-----	-----	-----	-----		

NOTES:

- MATERIAL: COPPER TUBING.
- FINISH: TIN PLATED.
"FOR ALTERNATIVE FINISH ADD ONE OF THE FOLLOWING SUFFIXES:
NICKEL = NK, LEAD = LD, BARE = BR, SILVER = SV"
- CATALOG # PT6515 ADAPTOR IS REQUIRED TO USE "U" DIES IN Y45 SERIES TOOLS.
- CATALOG # PUADP-1 ADAPTOR IS REQUIRED TO USE "U" DIES IN Y46 SERIES TOOLS.
- PERMANENT DIE IN TOOLING.
- DIMENSIONS IN BRACKETS [] ARE IN MILLIMETERS ROUNDED OFF TO THE NEAREST MILLIMETER, UNLESS OTHERWISE NOTED, AND ARE FOR REFERENCE ONLY.
- FOR USE BY CUSTOMERS THAT HAVE THIS HYPRESS™. NO NEW Y34A HYPRESS™ TOOLS ARE BEING PROCESSED. Y34A USES A--D NEST DIES ONLY.
- CONNECTORS ARE UL LISTED; UNDRILLED VERSIONS ARE NOT UL LISTED.
- CONNECTORS ARE CSA CERTIFIED; UNDRILLED VERSIONS ARE NOT CSA CERTIFIED.
- FOR UNDRILLED VERSIONS ADD SUFFIX "-U" TO END OF CATALOG NUMBER.
FOR UNDRILLED VERSIONS, USE D MIN. = N MAX. + Z MIN.
- "X", "W-RT", "W-VT", "U" & "L" DIE SETS ARE COLOR CODED. "A", "B" AND "C" DIES ARE NOT COLOR CODED. NESTS AND INDENTOR TYPE ARE NOT COLOR CODED.



REFERENCE: SE209240

TO ORDER BURNDY® PRODUCTS CALL
 UNITED STATES
 1-800-346-4175 (LONDONDERRY, NH)
 CANADA:
 1-800-361-6975 (QUEBEC)
 1-800-387-6487 (ALL OTHER PROVINCES)
 FOR PRODUCT INFO: <http://www.burndy.com>

HYLUG™ COPPER	
ITEM NO:	N/A
CAT. NO:	YA-L, YA-L-TC-
DRAWN BY:	C.RACANO 11/29/76
CHECKER:	CAR 12/10/76
DSN APPVL:	LB 12/10/76
MFG APPVL:	N/A
QA APPVL:	C.ACKERMAN 9/30/94
MKT APPVL:	T.NELSON 9/07/94
PROD FAM:	CM&R COMPRESSION
PROJECT #:	---
DOCUMENT TYPE:	Sales
REL LEVEL:	Released
DRAWING NO	SD079848
REV	K
SCALE:	1:1
SHEET	1 OF 17

REV: PE0200

REV	DATE	DESCRIPTION	ECO	BY	C'H'K.
K	05/22/2015 00:00:00 AM	FOR RELEASE & PUBLISHING	40359	SV	MB

CATALOG NUMBER	STRANDED COPPER CONDUCTOR ACCOMMODATED			BOLT SIZE	METRIC BOLT SIZE	DIMENSIONS								
	CODE (AWG)	NAVY	METRIC SIZE (CLASS 2)			B	C	D MIN.	K DIA.	L	N	O.D.	T REF.	Z MIN.
YA6CL	#6 AWG SOL/STR	-----	-----	1/4	M6	.54 [14]	.45 [11]	----	.27 [7]	1.45 [37]	.31 [8]	.29 [7]	.08 [2]	.33 [8]
YA6CL1				8-10	----		.41 [10]	----	.20 [5]	1.27 [32]	.22 [6]		.09 [2]	.23 [6]
YA6CL1G1				8-10	-----		.36 [9]	----	.21 [5]	1.28 [33]	.22 [6]		.10 [3]	.26 [7]
YA6CL3				5/16	----		.52 [13]	----	.33 [8]	1.52 [39]	.34 [9]		.07 [2]	.36 [9]

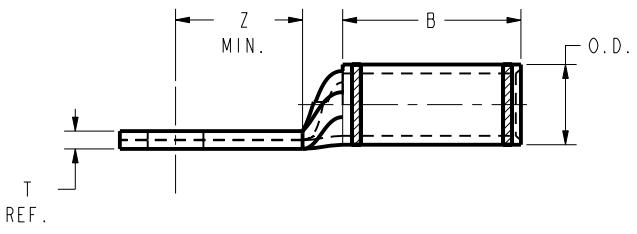
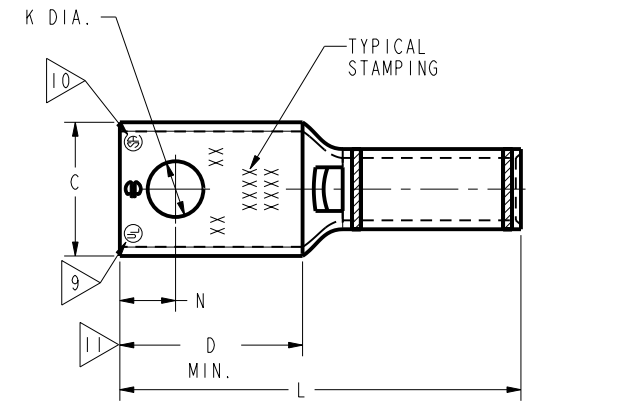
CONNECTOR SIZE	TOLERANCES					
	B	C	K DIA.	L	N	O.D.
-8C THRU -25	±.06	±.04	±.02	±.09	±.03	±.01
-26 THRU -34	±.08	±.04	±.02	±.12	±.03	±.01
-35 AND UP	±.09	±.06	±.02	±.15	±.06	±.01

TOLERANCE BLOCK

CATALOG NO.	COLOR CODE	DIE INFORMATION		MECHANICAL RATCHET				HYDRAULIC				DIELESS (# OF CRIMPS)	WIRE STRIP LENGTH			
		DIE INDEX	TYPE	Y122CMR Y1MRTC	OUR840	MD6 MD7	MD6--R2 MD7-34R	Y500CT PATMD6 PAT600	Y34A Y34B Y34BH	Y35, Y39 Y750, PAT750	Y46 PAT46			Y45	Y48B	Y60BHU
YA6CL YA6CL1 YA6CL1G1 YA6CL3	BLUE	7 374	BLUE DIE SET NEST INDENTOR	BLUE (1)	X5CRT(1) X8CART(1)	X5CRT(1) W5CRT(1) W5CVT(1)	X5CRT(1) W5CRT(1) W5CVT(1)	X5CRT(1) W5CRT(1) W5CVT(1)	----	U5CRT(1) U8CABT(1)	U5CRT(1) U8CABT(1)	U5CRT(1) U8CABT(1)	----	----	MECHANICAL: MY29-3 (1) MY29-11 (1) MRC840 (1) HYDRAULIC: Y644 (1) Y81KFT (1) Y4PC834 (1)	9/16"
									Y34PR	Y34PR	Y34PR	Y34PR				

NOTES:

- MATERIAL: COPPER TUBING.
- FINISH: TIN PLATED.
"FOR ALTERNATIVE FINISH ADD ONE OF THE FOLLOWING SUFFIXES:
NICKEL = NK, LEAD = LD, BARE = BR, SILVER = SV"
- CATALOG # PT6515 ADAPTOR IS REQUIRED TO USE "U" DIES IN Y45 SERIES TOOLS.
- CATALOG # PUADP-1 ADAPTOR IS REQUIRED TO USE "U" DIES IN Y46 SERIES TOOLS.
- Y35P3 INDENTOR ADAPTOR REQUIRED FOR Y34PR INDENTOR.
- PERMANENT DIE IN TOOLING.
- DIMENSIONS IN BRACKETS [] ARE IN MILLIMETERS ROUNDED OFF TO THE NEAREST MILLIMETER, UNLESS OTHERWISE NOTED, AND ARE FOR REFERENCE ONLY.
- FOR USE BY CUSTOMERS THAT HAVE THIS HYPRESS™. NO NEW Y34A HYPRESS™ TOOLS ARE BEING PROCESSED. Y34A USES A--D NEST DIES ONLY.
- CONNECTORS ARE UL LISTED; UNDRILLED VERSIONS ARE NOT UL LISTED.
- CONNECTORS ARE CSA CERTIFIED; UNDRILLED VERSIONS ARE NOT CSA CERTIFIED.
- FOR UNDRILLED VERSIONS ADD SUFFIX "-U" TO END OF CATALOG NUMBER. FOR UNDRILLED VERSIONS, USE D MIN. = N MAX. + Z MIN.
- "X", "W-RT", "W-VT", "U" & "L" DIE SETS ARE COLOR CODED. "A", "B" AND "C" DIES ARE NOT COLOR CODED. NESTS AND INDENTOR TYPE ARE NOT COLOR CODED.
- X8CABT & U8CABT DIES USED ON YA6C-- HYLUG™ NOT YA5C--HYLUG™.
- INSTALL 6 AWG SOL. WITH THESE TOOLS ONLY.



REFERENCE: SE209240

TO ORDER BURNDY® PRODUCTS CALL
 UNITED STATES
 1-800-346-4175 (LONDONDERRY, NH)
 CANADA:
 1-800-361-6975 (QUEBEC)
 1-800-387-6487 (ALL OTHER PROVINCES)
 FOR PRODUCT INFO: <http://www.burndy.com>

HYLUG™ COPPER	
ITEM NO:	N/A
CAT. NO:	YA-L, YA-L-TC-, YAV-TC-
DRAWN BY:	C. RACCANO 06/16/1977
CHECKER:	CAR 06/16/1977
DSN APPVL:	LB 06/24/1977
MFG APPVL:	N/A
QA APPVL:	C. ACKERMAN 09/30/1994
MKT APPVL:	T. NELSON 09/07/1994
PROD FAM:	CM&R COMPRESSION
PROJECT #:	---
DOCUMENT TYPE:	Sales
REL LEVEL:	Released
DRAWING NO	SD079848
REV	K
SCALE:	1:1
SHEET	2 OF 17

REV: PE0200

REV	DATE	DESCRIPTION	ECO	BY	C'H'K.
K	05/22/2015 00:00:00 AM	FORM REQUEST # 17015084	40359	SV	MB

CATALOG NUMBER	STRANDED COPPER CONDUCTOR ACCOMMODATED			BOLT SIZE	METRIC BOLT SIZE	DIMENSIONS								
	CODE (AWG)	NAVY	METRIC SIZE (CLASS 2)			B	C	D MIN.	K DIA.	L	N	O.D.	T REF.	Z MIN.
YA6CL4	#6 AWG SOL/STR	-----	-----	3/8	----	.54 [14]	.63 [16]	-----	.41 [10]	1.62 [41]	.41 [10]	.29 [7]	.06 [2]	.38 [10]
YA6CL4U				3/8	----	.54 [14]	.63 [16]	-----	-----	1.62 [41]	-----	.29 [7]	.06 [2]	.38 [10]
YA6CL6				1/2	M12	.54 [14]	.75 [19]	-----	.53 [13]	1.87 [48]	.53 [13]	.29 [7]	.12 [3]	.55 [14]
YA5CL	#5 AWG	30	-----	1/4	M6	.81 [21]	.44 [11]	-----	.27 [7]	1.65 [42]	.25 [6]	.30 [8]	.07 [2]	.33 [8]

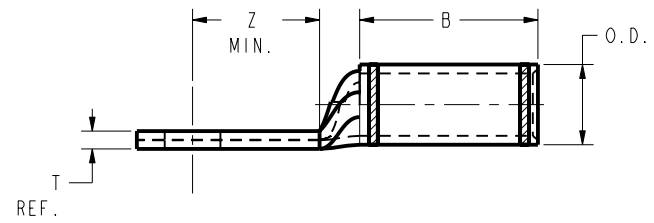
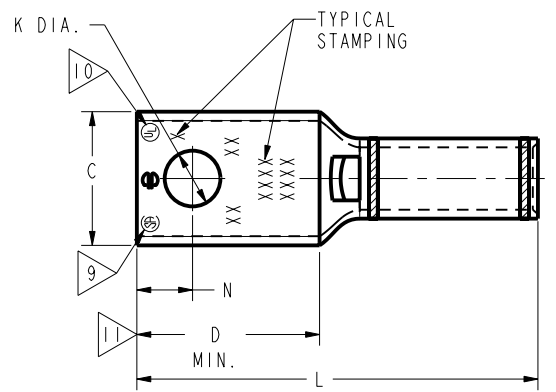
CONNECTOR SIZE	TOLERANCES					
	B	C	K DIA.	L	N	O.D.
-8C THRU -25	±.06	±.04	±.02	±.09	±.03	±.01
-26 THRU -34	±.08	±.04	±.02	±.12	±.03	±.01
-35 AND UP	±.09	±.06	±.02	±.15	±.06	±.01

TOLERANCE BLOCK

INSTALLATION TOOLING (# CRIMPS)																
CATALOG NUMBER	COLOR CODE	DIE INFORMATION		MECHANICAL					HYDRAULIC					DIELESS (# OF CRIMPS)	WIRE STRIP LENGTH	
		DIE INDEX	TYPE	Y122CMR Y1MRTC	OUR840	MD6 MD7	MD6--R2 MD7-34R	Y500CT PATMD6 PAT600	Y34A Y34B Y34BH	Y35, Y39, PAT750 Y750, PAT750	Y46 PAT46	Y45	Y48B			Y60BHU
YA6CL4	BLUE	7 374	BLUE DIE SET	BLUE (1)	X5CRT(1) X8CART(1)	X5CRT(1) W5CRT(1) W5CVT(1) X8CART(1)	X5CRT(1) W5CRT(1) W5CVT(1) X8CART(1)	X5CRT(1) X8CART(1) W5CRT(1) W5CVT(1)	-----	U5CRT(1) U8CABT(1)	U5CRT(1) U8CABT(1)	U5CRT(1) U8CABT(1)	-----	-----	MECHANICAL: MY29-3 (1) MY29-11 (1) MRC840 (1) HYDRAULIC: Y644 (1) Y81KFT (1) Y4PC834 (1)	9/16"
YA6CL6			NEST	-----	-----	-----	-----	-----	A6CD(1) B6CD(1)	U6CD-1(1)	U6CD-1(1)	U6CD-1(1)	-----	-----		
YA5CL			INDENTOR	-----	-----	-----	-----	-----	-----	Y34PR	Y34PR	Y34PR	Y34PR	-----		

NOTES:

- MATERIAL: COPPER TUBING.
- FINISH: TIN PLATED.
"FOR ALTERNATIVE FINISH ADD ONE OF THE FOLLOWING SUFFIXES:
NICKEL = NK, LEAD = LD, BARE = BR, SILVER = SV"
- CATALOG # PT6515 ADAPTOR IS REQUIRED TO USE "U" DIES IN Y45 SERIES TOOLS.
- CATALOG # PUADP-1 ADAPTOR IS REQUIRED TO USE "U" DIES IN Y46 SERIES TOOLS.
- Y35P3 INDENTOR ADAPTOR REQUIRED FOR Y34PR INDENTOR.
- PERMANENT DIE IN TOOLING.
- DIMENSIONS IN BRACKETS [] ARE IN MILLIMETERS ROUNDED OFF TO THE NEAREST MILLIMETER, UNLESS OTHERWISE NOTED, AND ARE FOR REFERENCE ONLY.
- FOR USE BY CUSTOMERS THAT HAVE THIS HYPRESS™. NO NEW Y34A HYPRESS™ TOOLS ARE BEING PROCESSED. Y34A USES A--D NEST DIES ONLY.
- CONNECTORS ARE UL LISTED; UNDRILLED VERSIONS ARE NOT UL LISTED.
- CONNECTORS ARE CSA CERTIFIED. UNDRILLED VERSIONS ARE NOT CSA CERTIFIED.
- FOR UNDRILLED VERSIONS ADD SUFFIX "-U" TO END OF CATALOG NUMBER. FOR UNDRILLED VERSIONS, USE D MIN. = N MAX. + Z MIN.
- "X", "W-RT", "W-VT", "U" & "L" DIE SETS ARE COLOR CODED. "A", "B" AND "C" DIES ARE NOT COLOR CODED. NESTS AND INDENTOR TYPE ARE NOT COLOR CODED.
- X8CABT & U8CABT DIES USED ON YA6C-- HYLUG™ NOT YA5C--HYLUG™
- INSTALL 6 AWG SOL. WITH THESE TOOLS ONLY.



REFERENCE: SE209240

TO ORDER BURNDY® PRODUCTS CALL		HYLUG™ COPPER	
UNITED STATES 1-800-346-4175 (LONDONDERRY, NH)		ITEM NO: N/A	CAT. NO: YA-L, YA-L-TC-, YAV-TC-
CANADA: 1-800-361-6975 (QUEBEC) 1-800-387-6487 (ALL OTHER PROVINCES)		DRAWN BY: C.RACCANO 6/16/77	CHECKER: CAR 6/16/77
FOR PRODUCT INFO: http://www.burndy.com		DSN APPVL: LB 6/24/77	MFG APPVL: N/A N/A
		QA APPVL: C.ACKERMAN 9/30/94	MKT APPVL: T.NELSON 9/7/94
		PROJ #: --	SIZE: D
		DOCUMENT TYPE: Sales	REL LEVEL: Released
		PROJ FAM: CM&R COMPRESSION	DRAWING NO: SD079848
		SCALE: 1:1	SHEET 3 OF 17

REV: PE0200

REV	DATE	DESCRIPTION	ECO	BY	C'H'K.
K	05/22/2015 00:00:00 AM	FORM REQUEST & PARTS	40359	SV	MB

CATALOG NUMBER	STRANDED COPPER CONDUCTOR ACCOMMODATED			BOLT SIZE	METRIC BOLT SIZE	DIMENSIONS								
	CODE (AWG)	NAVY	METRIC SIZE (CLASS 2)			B	C	D MIN.	K DIA.	L	N	O.D.	T REF.	Z MIN.
YA4CL1	#4 AWG	40	-----	8-10	M5	.81 [21]	.50 [13]	-----	.21 [5]	1.58 [40]	.25 [6]	.34 [9]	.09 [2]	.24 [6]
YA4CL1U				-----	-----	-----	-----	.50 [13]	.52 [13]	-----	1.57 [40]	-----	.09 [2]	-----
YA4CL				1/4	M6	.50 [13]	-----	.27 [7]	1.74 [44]	.31 [8]	.09 [2]	.33 [8]		
YA4CLU				-----	-----	.50 [13]	.61 [15]	-----	1.67 [42]	-----	.09 [2]	-----		
YA4CL3				5/16	M8	.50 [13]	-----	.34 [9]	1.79 [45]	.41 [10]	.09 [2]	.42 [11]		
YA4CL4				3/8	-----	.58 [15]	-----	.40 [10]	1.92 [49]	.41 [10]	.08 [2]	.42 [11]		
YA4CL4U				-----	-----	.58 [15]	.86 [22]	-----	1.95 [50]	-----	.08 [2]	-----		
YA4CL6	#4 AWG	40	-----	1/2	M12	.81 [21]	.71 [18]	-----	.53 [13]	2.20 [56]	.53 [13]	.34 [9]	.06 [2]	.55 [14]

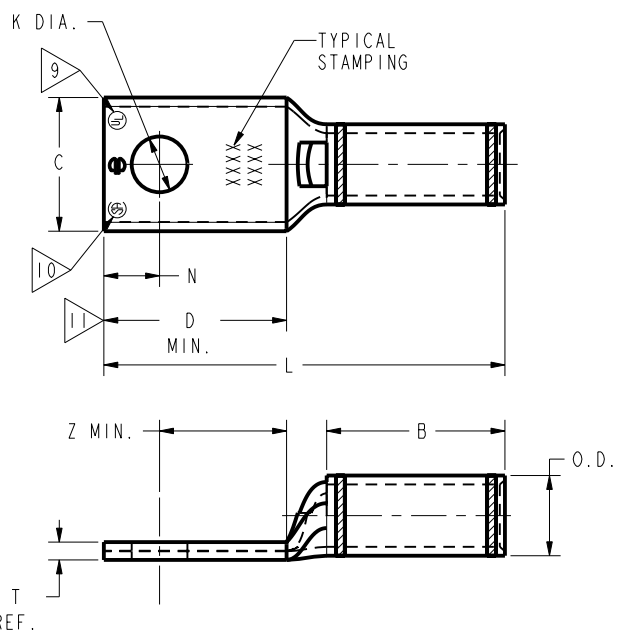
CONNECTOR SIZE	TOLERANCES					
	B	C	K DIA.	L	N	O.D.
-8C THRU -25	±.06	±.04	±.02	±.09	±.03	±.01
-26 THRU -34	±.08	±.04	±.02	±.12	±.03	±.01
-35 AND UP	±.09	±.06	±.02	±.15	±.06	±.01

TOLERANCE BLOCK

CATALOG NUMBER	COLOR CODE	INSTALLATION TOOLING (# CRIMPS)														DIELESS (# CRIMPS)	WIRE STRIP LENGTH
		DIE INFORMATION		MECHANICAL				HYDRAULIC									
		DIE INDEX	TYPE	Y122CMR Y1MRTC	OUR840	MD6 MD7	MD6--R2 MD7-34R	Y500CT PATMD6 PAT600	Y34A Y34B Y34BH	Y35, Y39 Y750, PAT750	Y46 PAT46	Y45	Y48B	Y60BHU			
YA4CL1 YA4CL1U YA4CL YA4CLU YA4CL3 YA4CL4 YA4CL4U YA4CL6	GRAY	8 346	GRAY DIE SET NEST INDENTOR	GRAY (2)	X4CRT(1)	X4CRT(1) W4CRT(1) W4CVT(1)	X4CRT(1) W4CRT(1) W4CVT(1)	X4CRT(1) W4CRT(1) W4CVT(1)	-----	A4CD(1) B4CD(1)	U4CD-1(1)	U4CD-1(1)	U4CD-1(1)	-----	MECHANICAL: MY29-3 (1) MY29-11 (1) MRC840 (1) HYDRAULIC: Y644 (1) Y81KFT (1) Y4PC834 (1)	7/8"	

NOTES:

- MATERIAL: COPPER TUBING.
- FINISH: TIN PLATED.
"FOR ALTERNATIVE FINISH ADD ONE OF THE FOLLOWING SUFFIXES:
NICKEL = NK, LEAD = LD, BARE = BR, SILVER = SV"
- CATALOG # PT6515 ADAPTOR IS REQUIRED TO USE "U" DIES IN Y45 SERIES TOOLS.
- CATALOG # PUADP-1 ADAPTOR IS REQUIRED TO USE "U" DIES IN Y46 SERIES TOOLS.
- Y35P3 INDENTOR ADAPTOR REQUIRED FOR Y34PR INDENTOR.
- PERMANENT DIE IN TOOLING.
- DIMENSIONS IN BRACKETS [] ARE IN MILLIMETERS ROUNDED OFF TO THE NEAREST MILLIMETER, UNLESS OTHERWISE NOTED, AND ARE FOR REFERENCE ONLY.
- FOR USE BY CUSTOMERS THAT HAVE THIS HYPRESS™. NO NEW Y34A HYPRESS™ TOOLS ARE BEING PROCESSED. Y34A USES A--D NEST DIES ONLY.
- CONNECTORS ARE UL LISTED; UNDRILLED VERSIONS ARE NOT UL LISTED.
- CONNECTORS ARE CSA CERTIFIED. UNDRILLED VERSIONS ARE NOT CSA CERTIFIED.
- FOR UNDRILLED VERSIONS ADD SUFFIX "-U" TO END OF CATALOG NUMBER.
FOR UNDRILLED VERSIONS, USE D MIN. = N MAX. + Z MIN.
- "X", "W-RT", "W-VT", "U" & "L" DIE SETS ARE COLOR CODED. "A", "B" AND "C" DIES ARE NOT COLOR CODED. NESTS AND INDENTOR TYPE ARE NOT COLOR CODED.



REFERENCE: SE209240

TO ORDER BURNDY® PRODUCTS CALL
 UNITED STATES
 1-800-346-4175 (LONDONDERRY, NH)
 CANADA:
 1-800-361-6975 (QUEBEC)
 1-800-387-6487 (ALL OTHER PROVINCES)
 FOR PRODUCT INFO: <http://www.burndy.com>

HYLUG™ COPPER	
ITEM NO:	N/A
CAT. NO:	YA4C-L- (TABLE)
DRAWN BY:	C.RACCANO 8/16/77
CHECKER:	CAR 6/16/77
DSN APPVL:	LB 6/16/77
MFG APPVL:	N/A
QA APPVL:	C.ACKERMAN 9/30/94
MKT APPVL:	T.NELSON 9/07/94
PROD FAM:	CM&R COMPRESSION
PROJECT #:	---
DOCUMENT TYPE:	Sales
REL LEVEL:	Released
DRAWING NO	SD079848
REV	K
SCALE:	1:1
SHEET	4 OF 17

REV: PE0200

CATALOG NUMBER	STRANDED COPPER CONDUCTOR ACCOMMODATED			BOLT SIZE	METRIC BOLT SIZE	DIMENSIONS								
	CODE (AWG)	NAVY	METRIC SIZE (CLASS 2)			B	C	K DIA.	L	N	O.D.	T REF.	Z MIN.	
YA3CL	#3 AWG #2 SOL	50	25mm ² STR [6.6]	5/16	M8	.88 [22]	.55 [14]	.33 [8]	1.88 [48]	.34 [9]	.38 [10]	.09 [2]	.36 [9]	
YA3CL4		60		3/8	M10	.88 [22]	.58 [15]	.41 [10]	2.05 [52]	.41 [10]	.38 [10]	.08 [2]	.42 [11]	
YA3CL6		50		1/2	M12	.88 [22]	.73 [19]	.53 [13]	2.30 [58]	.53 [13]	.38 [10]	.07 [2]	.55 [14]	
YA2CL2	#2 AWG	60	-----	1/4	M6	.88 [22]	.61 [15]	.27 [7]	1.88 [48]	.31 [8]	.42 [11]	.11 [3]	.33 [8]	
YA2CL2U				---	---	---	.88 [22]	.60 [15]	---	1.77 [45]	---	.42 [11]	.11 [3]	---
YA2CL				5/16	M8	.88 [22]	.61 [15]	.33 [8]	1.93 [49]	.34 [9]	.42 [11]	.11 [3]	.36 [9]	

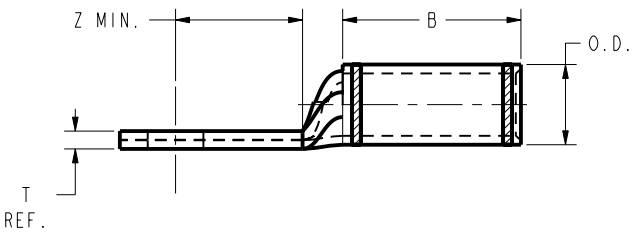
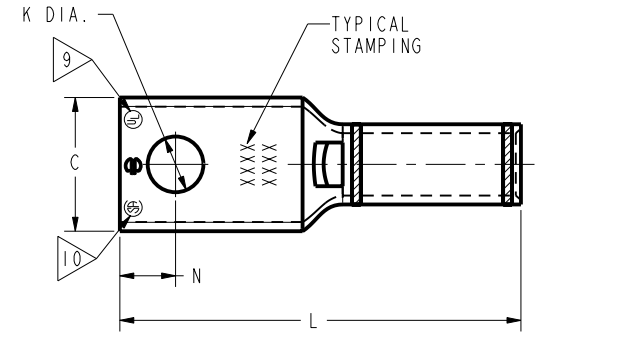
CONNECTOR SIZE	TOLERANCES					
	B	C	K DIA.	L	N	O.D.
-8C THRU -25	±.06	±.04	±.02	±.09	±.03	±.01
-26 THRU -34	±.08	±.04	±.02	±.12	±.03	±.01
-35 AND UP	±.09	±.06	±.02	±.15	±.06	±.01

TOLERANCE BLOCK

INSTALLATION TOOLING (# CRIMPS)																
CATALOG NO.	COLOR CODE	DIE INFORMATION		MECHANICAL				HYDRAULIC						DIELESS (# CRIMPS)	WIRE STRIP LENGTH	
		DIE INDEX	TYPE	Y122CMR Y1MRTC 6	OUR840	MD6 MD7	MD6--R2 MD7-34R	Y500CT PATMD6 PAT600	Y34A 8 Y34B Y34BH	Y35, Y39, Y750, PAT750 5	Y46 4 PAT46 5	Y45 3 5	Y48B			Y60BHU
YA3CL YA3CL4 YA3CL6	WHITE	9	WHITE DIE SET	WHITE (2)	W3CRT (1)	W3CRT (1)	W3CRT (1)	W3CRT (1)	-----	U3CRT(1)	U3CRT(1)	U3CRT(1)	---	---	MECHANICAL: MY29-3 (1) MY29-11(1)	15/16"
			NEST	----	----	----	----	----	A3CD(1) B3CD(1)	U3CD-1(1)	U3CD-1(1)	U3CD-1(1)			HYDRAULIC: Y644 (1) Y81KFT (1) Y4PC834 (1)	
			INDENTOR	----	----	----	----	----	Y34PR	Y34PR	Y34PR	Y34PR				
YA2CL2 YA2CL2U YA2CL	BROWN	10	BROWN DIE SET	BROWN(2)	X2CRT(1)	X2CRT(2) W2CRT(1) W2CVT(1)	X2CRT(2) W2CRT(1) W2CVT(1)	X2CRT(1) W2CRT(1) W2CVT(1)	-----	U2CRT(1)	U2CRT(1)	U2CRT(1)	---	---	MECHANICAL: MY29-3 (1) MY29-11(1) MRC840 (1)	15/16"
			NEST	----	----	----	----	----	A2CD(1) B2CD(1)	U2CD-1(1)	U2CD-1(1)	U2CD-1(1)			HYDRAULIC: Y644 (1) Y81KFT (1) Y4PC834 (1)	
			INDENTOR	----	----	----	----	----	Y34PR	Y34PR	Y34PR	Y34PR				

NOTES:

- MATERIAL: COPPER TUBING.
- FINISH: TIN PLATED.
"FOR ALTERNATIVE FINISH ADD ONE OF THE FOLLOWING SUFFIXES:
NICKEL = NK, LEAD = LD, BARE = BR, SILVER = SV"
- CATALOG # PT6515 ADAPTOR IS REQUIRED TO USE "U" DIES IN Y45 SERIES TOOLS.
- CATALOG # PUADP-1 ADAPTOR IS REQUIRED TO USE "U" DIES IN Y46 SERIES TOOLS.
- Y35P3 INDENTOR ADAPTOR REQUIRED FOR Y34PR INDENTOR.
- PERMANENT DIE IN TOOLING.
- DIMENSIONS IN BRACKETS [] ARE IN MILLIMETERS ROUNDED OFF TO THE NEAREST MILLIMETER, UNLESS OTHERWISE NOTED, AND ARE FOR REFERENCE ONLY.
- FOR USE BY CUSTOMERS THAT HAVE THIS HYPRESS™. NO NEW Y34A HYPRESS™ TOOLS ARE BEING PROCESSED. Y34A USES A--D NEST DIES ONLY.
- CONNECTORS ARE UL LISTED; UNDRILLED VERSIONS ARE NOT UL LISTED.
- CONNECTORS ARE CSA CERTIFIED. UNDRILLED VERSIONS ARE NOT CSA CERTIFIED.
- FOR UNDRILLED VERSIONS ADD SUFFIX "-U" TO END OF CATALOG NUMBER.
FOR UNDRILLED VERSIONS, USE D MIN. = N MAX. + Z MIN.
- "X", "W-RT", "W-VT", "U" & "L" DIE SETS ARE COLOR CODED. "A", "B" AND "C" DIES ARE NOT COLOR CODED. NESTS AND INDENTOR TYPE ARE NOT COLOR CODED.



REFERENCE: SE209240

TO ORDER BURNDY® PRODUCTS CALL
 UNITED STATES
 1-800-346-4175 (LONDONDERRY, NH)
 CANADA:
 1-800-361-6975 (QUEBEC)
 1-800-387-6487 (ALL OTHER PROVINCES)
 FOR PRODUCT INFO: <http://www.burndy.com>

HYLUG™ COPPER			
ITEM NO:	N/A		
CAT. NO:	YA-C-L- (TABLE)		
DRAWN BY:	C. RACCANO	6/16/77	
CHECKER:	CAR	6/16/77	
DSN APPVL:	LB	6/24/77	
MFG APPVL:	N/A	N/A	
QA APPVL:	C. ACKERMAN	9/30/94	
MKT APPVL:	T. NELSON	9/07/94	
PROD FAM:	CM&R COMPRESSION	DRAWING NO	REV
PROJECT #:	--	SD079848	K
DOCUMENT TYPE:	Sales	SHEET 5 OF 17	
REL LEVEL:	Released		

REV: PE0200

REV	DATE	DESCRIPTION	ECO	BY	CHK'D
K	05/22/2015 00:00:00 AM	FORM REQUEST & PARTS	40359	SV	MB

CATALOG NUMBER	STRANDED COPPER CONDUCTOR ACCOMMODATED			BOLT SIZE	METRIC BOLT SIZE	DIMENSIONS								
	CODE (AWG)	NAVY	METRIC SIZE (CLASS 2)			B	C	D MIN.	K DIA.	L	N	O.D.	T REF.	Z MIN.
YA2CLU	#2 AWG	60	-----	-----	-----	.88 [22]	.60 [15]	.73 [18]	-----	1.90 [48]	-----	.42 [11]	.11 [3]	-----
YA2CL4				3/8	-----	.61 [15]	-----	.40 [10]	2.06 [52]	.41 [10]	.11 [3]	.42 [11]		
YA2CL4U				-----	-----	.60 [15]	.86 [22]	-----	2.02 [51]	-----	.11 [3]	-----		
YA2CL6				1/2	M/12	.88 [22]	.73 [19]	-----	.53 [13]	2.32 [59]	.53 [13]	.42 [11]	.09 [2]	.55 [14]

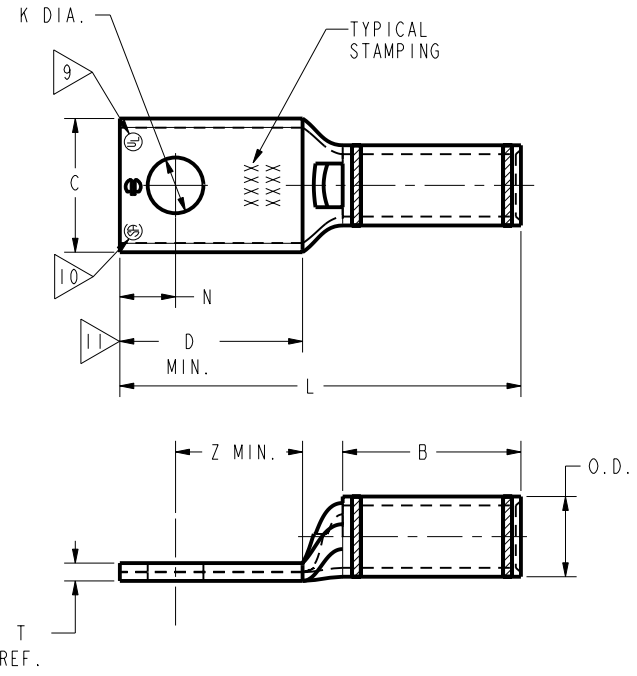
CONNECTOR SIZE	TOLERANCES					
	B	C	K DIA.	L	N	O.D.
-8C THRU -25	±.06	±.04	±.02	±.09	±.03	±.01
-26 THRU -34	±.08	±.04	±.02	±.12	±.03	±.01
-35 AND UP	±.09	±.06	±.02	±.15	±.06	±.01

TOLERANCE BLOCK

CATALOG NO.	COLOR CODE	DIE INFORMATION		MECHANICAL RATCHET				HYDRAULIC				DIELESS (# CRIMPS)	WIRE STRIP LENGTH		
		DIE INDEX	TYPE	Y122CMR Y1MRTC	OUR840	MD6 MD7	MD6--R2 MD7-34R	PATMD6 PAT600	Y34A Y34B Y34BH	Y35, Y39 Y750, PAT750	Y46 PAT46			Y45	Y48B
YA2CLU YA2CL4 YA2CL4U YA2CL6	BROWN	10	BROWN DIE SET	BROWN (2)	X2CRT(1)	X2CRT(1) W2CRT(1) W2CVT(1)	X2CRT(1) W2CRT(1) W2CVT(1)	X2CRT(1) W2CRT(1) W2CVT(1)	-----	U2CRT(1)	U2CRT(1)	U2CRT(1)	-----	-----	MECHANICAL MY29-3(1) MY29-11(1) MRC840 (1) HYDRAULIC: Y644 (1) Y81KFT (1) Y4PC834 (1)
			NEST	-----	-----	-----	-----	-----	A2CD(1) B2CD(1)	U2CD-1(1)	U2CD-1(1)	U2CD-1(1)	-----	-----	
			INDENTOR	-----	-----	-----	-----	-----	Y34PR	Y34PR	Y34PR	Y34PR	-----	-----	

NOTES:

- MATERIAL: COPPER TUBING.
- FINISH: TIN PLATED.
"FOR ALTERNATIVE FINISH ADD ONE OF THE FOLLOWING SUFFIXES:
NICKEL = NK, LEAD = LD, BARE = BR, SILVER = SV"
- CATALOG # PT6515 ADAPTOR IS REQUIRED TO USE "U" DIES IN Y45 SERIES TOOLS.
- CATALOG # PUADP-1 ADAPTOR IS REQUIRED TO USE "U" DIES IN Y46 SERIES TOOLS.
- Y35P3 INDENTOR ADAPTOR REQUIRED FOR Y34PR INDENTOR.
- PERMANENT DIE IN TOOLING.
- DIMENSIONS IN BRACKETS [] ARE IN MILLIMETERS ROUNDED OFF TO THE NEAREST MILLIMETER, UNLESS OTHERWISE NOTED, AND ARE FOR REFERENCE ONLY.
- FOR USE BY CUSTOMERS THAT HAVE THIS HYPRESS™. NO NEW Y34A HYPRESS™ TOOLS ARE BEING PROCESSED. Y34A USES A--D NEST DIES ONLY.
- CONNECTORS ARE UL LISTED; UNDRILLED VERSIONS ARE NOT UL LISTED.
- CONNECTORS ARE CSA CERTIFIED. UNDRILLED VERSIONS ARE NOT CSA CERTIFIED.
- FOR UNDRILLED VERSIONS ADD SUFFIX "-U" TO END OF CATALOG NUMBER.
FOR UNDRILLED VERSIONS, USE D MIN. = N MAX. + Z MIN.
- "X", "W-RT", "W-VT", "U" & "L" DIE SETS ARE COLOR CODED. "A", "B" AND "C" DIES ARE NOT COLOR CODED. NESTS AND INDENTOR TYPE ARE NOT COLOR CODED.



REFERENCE: SE209240
SUPERSEDES: SA79848 (SHT. 6)

TO ORDER BURNDY® PRODUCTS CALL		COPPER HYLUG™	
UNITED STATES 1-800-346-4175 (LONDONDERRY, NH)		ITEM NO: N/A	CAT. NO: YA-L, YA-L-TC-
CANADA: 1-800-361-6975 (QUEBEC) 1-800-387-6487 (ALL OTHER PROVINCES)		DRAWN BY: C.RACANO 6/16/77	CHECKER: CAR 6/16/77
FOR PRODUCT INFO: http://www.burndy.com		DSN APPVL: LB 6/24/77	MFG APPVL: N/A N/A
		QA APPVL: C.ACKERMAN 9/30/94	MKT APPVL: T.NELSON 9/7/94
		PROJ #: --	SIZE: D
		DOCUMENT TYPE: Sales	REL LEVEL: Released
		SCALE: 1:1	DRAWING NO: SD079848
			REV: K
			SHEET 6 OF 17

REV: PE0200

CATALOG NUMBER	STRANDED COPPER CONDUCTOR ACCOMMODATED			BOLT SIZE	METRIC BOLT SIZE	DIMENSIONS							
	CODE (AWG)	NAVY	METRIC SIZE (CLASS 2)			B	C	K DIA.	L	N	O.D.	T REF.	Z MIN.
YAICL2	#1 AWG	75	-----	1/4	M6	.88 [22]	.68 [17]	.27 [7]	1.81 [46]	.25 [6]	.46 [12]	.10 [3]	.33 [8]
YAICL				5/16	----	.68 [17]	.33 [8]	1.94 [49]	.34 [9]	.10 [3]	.36 [9]		
YAICL4				3/8	----	.68 [17]	.40 [10]	2.06 [52]	.41 [10]	.10 [3]	.42 [11]		
YAICL6				1/2	M12	.88 [22]	.73 [19]	.53 [13]	2.37 [60]	.53 [13]	.46 [12]	.09 [2]	.55 [14]

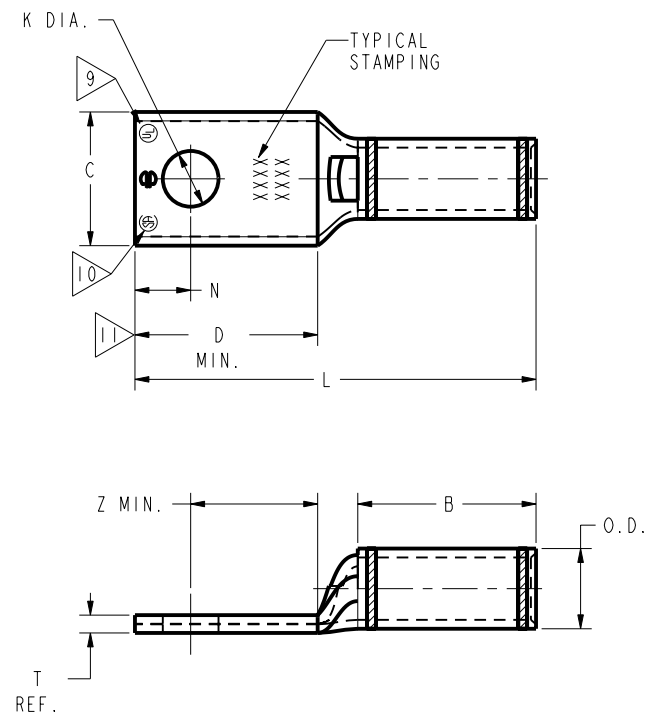
CONNECTOR SIZE	TOLERANCES					
	B	C	K DIA.	L	N	O.D.
-8C THRU -25	±.06	±.04	±.02	±.09	±.03	±.01
-26 THRU -34	±.08	±.04	±.02	±.12	±.03	±.01
-35 AND UP	±.09	±.06	±.02	±.15	±.06	±.01

TOLERANCE BLOCK

INSTALLATION TOOLING (# CRIMPS)																
CATALOG NO.	COLOR CODE	DIE INFORMATION		MECHANICAL RATCHET				HYDRAULIC						DIELESS (# CRIMPS)	WIRE STRIP LENGTH	
		DIE INDEX	TYPE	YIMRTC	OUR840	MD6 MD7	MD6--R2 MD7-34R	Y500CT PATMD6 PAT600	Y34A Y34B Y34BH	Y35, Y39 Y750, PAT750	Y46 PAT46	Y45	Y48B			Y60BHU
YAICL2 YAICL YAICL4 YAICL6	GREEN	11 375	GREEN DIE SET NEST INDENTOR	GREEN (2)	XICRT-1(1)	XICRT-1(1) WICRT-1(1) WICVT(1)	XICRT-1(1) WICRT-1(1) WICVT(1)	XICRT-1(1) WICRT-1(1) WICVT(1)	----- AICD(1) BICD(1) Y34PR	UICRT-1 (1) U4CABT (1) UICD-1(1) Y34PR	UICRT-1 (1) U4CABT (1) UICD-1(1) Y34PR	UICRT-1 (1) U4CABT (1) UICD-1(1) Y34PR	----- ----- -----	----- ----- -----	MECHANICAL MY29-3(1) MY29-11(1) MRC840 (1) HYDRAULIC: Y644 (1) Y81KFT (1) Y4PC834 (1)	15/16"

NOTES:

- MATERIAL: COPPER TUBING.
- FINISH: TIN PLATED.
"FOR ALTERNATIVE FINISH ADD ONE OF THE FOLLOWING SUFFIXES:
NICKEL = NK, LEAD = LD, BARE = BR, SILVER = SV"
- CATALOG # PT6515 ADAPTOR IS REQUIRED TO USE "U" DIES IN Y45 SERIES TOOLS.
- CATALOG # PUADP-1 ADAPTOR IS REQUIRED TO USE "U" DIES IN Y46 SERIES TOOLS.
- Y35P3 INDENTOR ADAPTOR REQUIRED FOR Y34PR INDENTOR.
- PERMANENT DIE IN TOOLING.
- DIMENSIONS IN BRACKETS [] ARE IN MILLIMETERS ROUNDED OFF TO THE NEAREST MILLIMETER, UNLESS OTHERWISE NOTED, AND ARE FOR REFERENCE ONLY.
- FOR USE BY CUSTOMERS THAT HAVE THIS HYPRESS™, NO NEW Y34A HYPRESS™ TOOLS ARE BEING PROCESSED. Y34A USES A--D NEST DIES ONLY.
- CONNECTORS ARE UL LISTED; UNDRILLED VERSIONS ARE NOT UL LISTED.
- CONNECTORS ARE CSA CERTIFIED; UNDRILLED VERSIONS ARE NOT CSA CERTIFIED.
- FOR UNDRILLED VERSIONS ADD SUFFIX "-U" TO END OF CATALOG NUMBER.
FOR UNDRILLED VERSIONS, USE D MIN. = N MAX. + Z MIN.
- "X", "W-RT", "W-VT", "U" & "L" DIE SETS ARE COLOR CODED. "A", "B" AND "C" DIES ARE NOT COLOR CODED. NESTS AND INDENTOR TYPE ARE NOT COLOR CODED.



REFERENCE: SE209240

TO ORDER BURNDY® PRODUCTS CALL		COPPER HYLUG™	
UNITED STATES 1-800-346-4175 (LONDONDERRY, NH)		ITEM NO: N/A	
CANADA: 1-800-361-6975 (QUEBEC) 1-800-387-6487 (ALL OTHER PROVINCES)		CAT. NO: YA-L, YA-L-TC-, YAV-TC-	
FOR PRODUCT INFO: http://www.burndy.com		DRAWN BY: J.MICHAUD 8/9/94	
		CHECKER: D.FILLION 10/3/94	
		DSN APPVL: C.PALAGI 8/10/94	
		MFG APPVL: N/A N/A	
		QA APPVL: C.ACKERMAN 9/30/94	
		MKT APPVL: T.NELSON 9/7/94	
		SCALE: 1:1	
		PROJ #: --	
		SIZE: D	
		DRAWING NO: SD079848	
		SHEET 7 OF 17	
		REV: K	

REV: PE0200

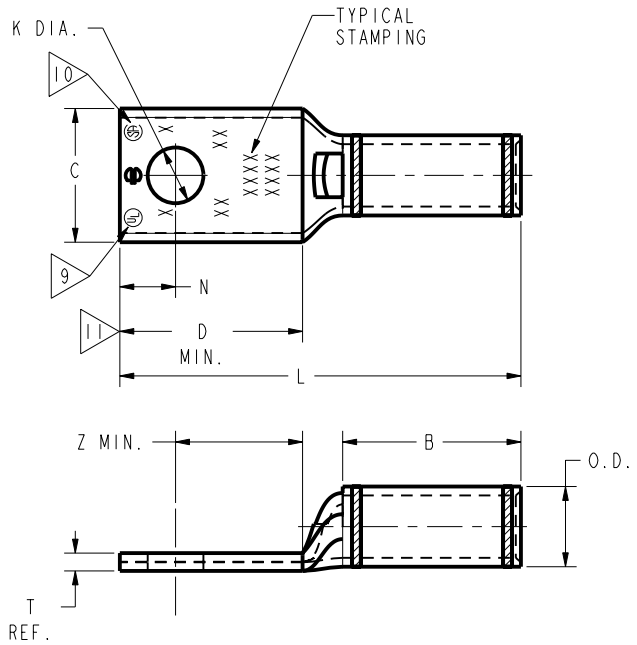
CATALOG NUMBER	STRANDED COPPER CONDUCTOR ACCOMMODATED			BOLT SIZE	METRIC BOLT SIZE	DIMENSIONS							
	CODE (AWG)	NAVY	METRIC SIZE (CLASS 2)			B	C	K DIA.	L	N	O.D.	T REF.	Z MIN.
YA25L2	#1/0 AWG	100	-----	1/4	M6	.88 [22]	.75 [19]	.27 [7]	1.84 [47]	.25 [6]	.51 [13]	.12 [3]	.33 [8]
YA25L				5/16	M8	.33 [8]	1.96 [50]	.34 [9]	.51 [13]	.12 [3]	.33 [8]		
YA25L4				3/8	M10	.41 [10]	2.09 [53]	.41 [10]	.51 [13]	.12 [3]	.33 [8]		
YA25L6 YA25L6UNPL				1/2	M12	.88 [22]	.75 [19]	.53 [13]	2.34 [59]	.53 [13]	.51 [13]	.12 [3]	.33 [8]

CONNECTOR SIZE	TOLERANCES					
	B	C	K DIA.	L	N	O.D.
-8C THRU -25	±.06	±.04	±.02	±.09	±.03	±.01
-26 THRU -34	±.08	±.04	±.02	±.12	±.03	±.01
-35 AND UP	±.09	±.06	±.02	±.15	±.06	±.01

TOLERANCE BLOCK

CATALOG NO.	COLOR CODE	DIE INFORMATION		MECHANICAL					HYDRAULIC				DIELESS (# CRIMPS)	WIRE STRIP LENGTH		
		DIE INDEX	TYPE	YIMRTC	OUR840	MD6 MD7	MD6--R2 MD7-34R	Y500CT PATMD6 PAT600	Y34A Y34B Y34BH	Y35, Y39, Y750, BAT750 PAT750	Y46 PAT46	Y45			Y48B	Y60BHU
YA25L2	PINK	12 348	PINK DIE SET	-----	X25CRT(2)	X25RT(2) W25RT(2) W25VT(2)	X25RT(2) W25RT(2) W25VT(2)	X25RT(2) W25RT(2) W25VT(2)	A25R(1)	U25RT(1) U2CABT(1)	U25RT(1) U2CABT(1)	U25RT(1) U2CABT(1)			MECHANICAL MY29-3(1) MY29-11(1) MRC840 (2)	15/16"
YA25L			NEST						A25D(1) B25D(1)	U25D-1(1)	U25D-1(1)	U25D-1(1)	-----	-----	HYDRAULIC: Y644 (1) Y81KFT (1) Y4PC834 (1)	
YA25L4			INDENTOR							Y34PR	Y34PR	Y34PR	Y34PR			
YA25L6 YA25L6UNPL																

- NOTES:
- MATERIAL: COPPER TUBING.
 - FINISH: TIN PLATED.
"FOR ALTERNATIVE FINISH ADD ONE OF THE FOLLOWING SUFFIXES:
NICKEL = NK, LEAD = LD, BARE = BR, SILVER = SV"
 - CATALOG # PT6515 ADAPTOR IS REQUIRED TO USE "U" DIES IN Y45 SERIES TOOLS.
 - CATALOG # PUADP-1 ADAPTOR IS REQUIRED TO USE "U" DIES IN Y46 SERIES TOOLS.
 - Y35P3 INDENTOR ADAPTOR REQUIRED FOR Y34PR INDENTOR.
 - PERMANENT DIE IN TOOLING.
 - DIMENSIONS IN BRACKETS [] ARE IN MILLIMETERS ROUNDED OFF TO THE NEAREST MILLIMETER, UNLESS OTHERWISE NOTED, AND ARE FOR REFERENCE ONLY.
 - FOR USE BY CUSTOMERS THAT HAVE THIS HYPRESS™. NO NEW Y34A HYPRESS™ TOOLS ARE BEING PROCESSED. Y34A USES A-D NEST DIES ONLY.
 - CONNECTORS ARE UL LISTED; UNDRILLED VERSIONS ARE NOT UL LISTED.
 - CONNECTORS ARE CSA CERTIFIED. UNDRILLED VERSIONS ARE NOT CSA CERTIFIED.
 - FOR UNDRILLED VERSIONS ADD SUFFIX "-U" TO END OF CATALOG NUMBER.
FOR UNDRILLED VERSIONS, USE D MIN. = N MAX. + Z MIN.
 - "X", "W-RT", "W-VT", "U" & "L" DIE SETS ARE COLOR CODED. "A", "B" AND "C" DIES ARE NOT COLOR CODED. NESTS AND INDENTOR TYPE ARE NOT COLOR CODED.
 - ADD SUFFIX "UNPL" FOR UNPLATED CONNECTORS WITH NO BARREL MARKINGS.



REFERENCE: SE209240

TO ORDER BURNDY® PRODUCTS CALL		COPPER HYLUG™	
UNITED STATES 1-800-346-4175 (LONDONDERRY, NH)		ITEM NO: N/A	CAT. NO: YA-L, YA-L-TC-
CANADA: 1-800-361-6975 (QUEBEC) 1-800-387-6487 (ALL OTHER PROVINCES)		DRAWN BY: R.NARESH 4/06/05	CHECKER: K.BABU 4/06/05
FOR PRODUCT INFO: http://www.burndy.com		DSN APPVL: --	MFG APPVL: --
		QA APPVL: --	MKT APPVL: --
		PROJ #:	SCALE: 1:1
		SIZE: D	DRAWING NO: SD079848
		REL LEVEL: Released	REV: K
		SHEET 8 OF 17	

REV: PE0200

CATALOG NUMBER	STRANDED COPPER CONDUCTOR ACCOMMODATED			BOLT SIZE	METRIC BOLT SIZE	DIMENSIONS							
	CODE (AWG)	NAVY	METRIC SIZE (CLASS 2)			B	C	K DIA.	L	N	O.D.	T REF.	Z MIN.
YA26L2	2/0 AWG	125	70mm ² STR [11]	1/4	M6	.94 [24]	.83 [21]	.27 [21]	1.94 [49]	.25 [6]	.56 [14]	.12 [3]	.33 [8]
YA26L3				5/16	----	.83 [21]	.33 [8]	2.06 [52]	.34 [9]	.12 [3]	.36 [9]		
YA26L				3/8	----	.83 [21]	.40 [10]	2.19 [56]	.41 [10]	.12 [3]	.42 [11]		
YA26L6				1/2	M12	.83 [21]	.53 [13]	2.44 [62]	.53 [13]	.12 [3]	.55 [14]		
YA26L7				5/8	M16	.90 [23]	.69 [18]	2.69 [68]	.66 [17]	.11 [3]	.67 [17]		
YA26L60				2/0 AWG	----	3/4	----	1.02 [26]	.81 [21]	2.96 [75]	.75 [19]	.56 [14]	.10 [3]

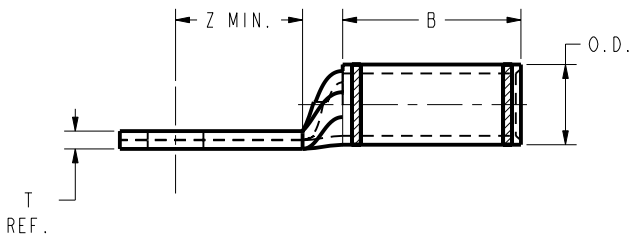
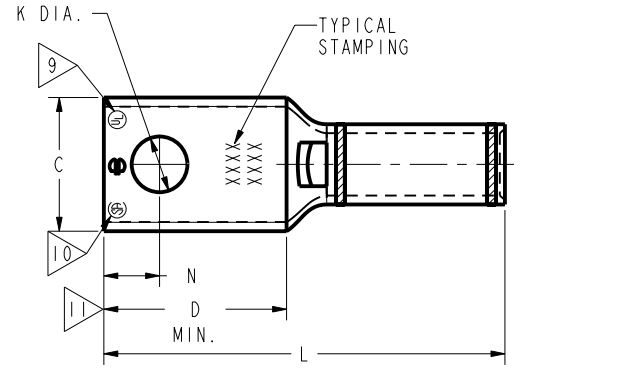
CONNECTOR SIZE	TOLERANCES					
	B	C	K DIA.	L	N	O.D.
-8C THRU -25	±.06	±.04	±.02	±.09	±.03	±.01
-26 THRU -34	±.08	±.04	±.02	±.12	±.03	±.01
-35 AND UP	±.09	±.06	±.02	±.15	±.06	±.01

TOLERANCE BLOCK

CATALOG NO.	COLOR CODE	DIE INFORMATION		MECHANICAL				HYDRAULIC				DIELESS (# CRIMPS)	WIRE STRIP LENGTH	
		DIE INDEX	TYPE	YIMRTC	OUR840	MD6 MD7	MD6--R2 MD7-34R	Y500CT PATMD6 PAT600	Y34A Y34B Y34BH	Y35, Y39 Y750, PAT750	Y46 PAT46			Y45
YA26L2 YA26L3 YA26L YA26L6 YA26L7 YA26L60	BLACK	13	BLACK DIE SET	----	X26RT(2)	X26RT(2) W26RT(2) W26VT(2)	X26RT(2) W26RT(2) W26VT(2)	X26RT(2) W26RT(2) W26VT(2)	----	U26RT(1)	U26RT(1)	U26RT(1)	MECHANICAL MY29-3(1) MY29-11(1) MRC840 (2)	1"
			NEST	----	----	----	----	----	A26D(1) B26D(1)	U26D-1(1)	U26D-1(1)	U26D-1(1)	HYDRAULIC: Y644 (1) Y81KFT (1) Y4PC834 (1)	
			INDENTOR	----	----	----	----	----	Y34PR	Y34PR	Y34PR	Y34PR		

NOTES:

- MATERIAL: COPPER TUBING.
- FINISH: TIN PLATED.
"FOR ALTERNATIVE FINISH ADD ONE OF THE FOLLOWING SUFFIXES:
NICKEL = NK, LEAD = LD, BARE = BR, SILVER = SV"
- CATALOG # PT6515 ADAPTOR IS REQUIRED TO USE "U" DIES IN Y45 SERIES TOOLS.
- CATALOG # PUADP-1 ADAPTOR IS REQUIRED TO USE "U" DIES IN Y46 SERIES TOOLS.
- Y35P3 INDENTOR ADAPTOR REQUIRED FOR Y34PR INDENTOR.
- PERMANENT DIE IN TOOLING.
- DIMENSIONS IN BRACKETS [] ARE IN MILLIMETERS ROUNDED OFF TO THE NEAREST MILLIMETER, UNLESS OTHERWISE NOTED, AND ARE FOR REFERENCE ONLY.
- FOR USE BY CUSTOMERS THAT HAVE THIS HYPRESS™. NO NEW Y34A HYPRESS™ TOOLS ARE BEING PROCESSED. Y34A USES A--D NEST DIES ONLY.
- CONNECTORS ARE UL LISTED; UNDRILLED VERSIONS ARE NOT UL LISTED.
- CONNECTORS ARE CSA CERTIFIED. UNDRILLED VERSIONS ARE NOT CSA CERTIFIED.
- FOR UNDRILLED VERSIONS ADD SUFFIX "-U" TO END OF CATALOG NUMBER.
FOR UNDRILLED VERSIONS, USE D MIN. = N MAX. + Z MIN.
- "X", "W-RT", "W-VT", "U" & "L" DIE SETS ARE COLOR CODED. "A", "B" AND "C" DIES ARE NOT COLOR CODED. NESTS AND INDENTOR TYPE ARE NOT COLOR CODED.
- THESE PARTS CAN BE ORDERED WITH NO INK MARKING ON THE BARREL. THE CATALOG NUMBERS FOR THESE PARTS ARE YA26L2G1, YA26L3G1, YA26LG1 AND YA26L6G1.



REFERENCE: SE209240

TO ORDER BURNDY® PRODUCTS CALL
 UNITED STATES
 1-800-346-4175 (LONDONDERRY, NH)
 CANADA:
 1-800-361-6975 (QUEBEC)
 1-800-387-6487 (ALL OTHER PROVINCES)
 FOR PRODUCT INFO: <http://www.burndy.com>

COPPER HYLUG™	
ITEM NO:	N/A
CAT. NO:	YA26-L (SEE TABLE)
DRAWN BY:	J MITCHAUD 8/9/94
CHECKER:	D FILLION 10/9/94
DSN APPVL:	C PALAGI 8/19/94
MFG APPVL:	N/A
QA APPVL:	C ACKERMAN 9/30/94
MKT APPVL:	T NELSON 9/7/94
PROD FAM:	CM&R COMPRESSION
PROJECT #:	---
DOCUMENT TYPE:	Sales
REL LEVEL:	Released
DRAWING NO	SD079848
REV	K
SCALE:	1:1
SHEET	9 OF 17

REV: PE0200

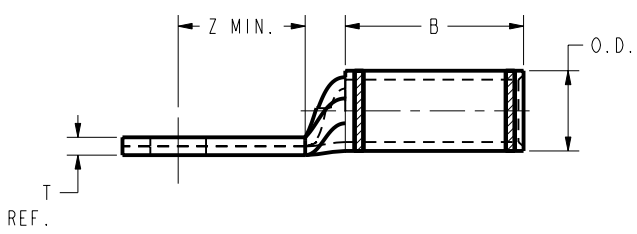
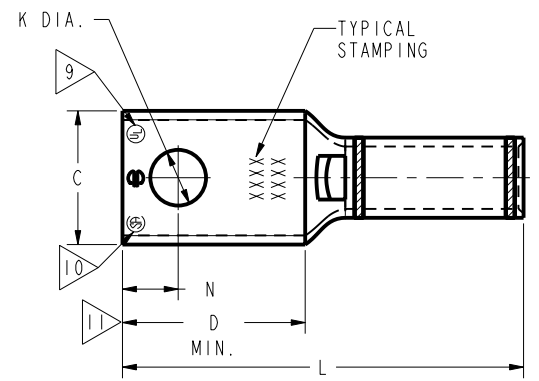
CATALOG NUMBER	STRANDED COPPER CONDUCTOR ACCOMMODATED			BOLT SIZE	METRIC BOLT SIZE	DIMENSIONS							
	CODE (AWG)	NAVY	METRIC SIZE (CLASS 2)			B	C	K DIA.	L	N	O.D.	T REF.	Z MIN.
YA27L2	3/0 AWG	150	----	1/4	M6	1.00 [25]	.91 [23]	.27 [7]	2.04 [52]	.25 [6]	.62 [16]	.13 [3]	.33 [8]
YA27L3				5/16	----	.33 [8]	2.16 [55]	.34 [9]	.62 [16]	.13 [3]	.36 [9]		
YA27L4				3/8	----	.40 [10]	2.29 [58]	.41 [10]	.62 [16]	.13 [3]	.42 [11]		
YA27L				1/2	M12	1.00 [25]	.91 [23]	.53 [13]	2.54 [65]	.53 [13]	.62 [16]	.13 [3]	.55 [14]
YA28L2	4/0 AWG	200	----	1/4	M6	.88 [22]	1.02 [26]	.27 [7]	1.96 [50]	.25 [6]	.69 [18]	.14 [4]	.33 [8]
YA28L3				5/16	----	.33 [8]	2.08 [53]	.34 [9]	.69 [18]	.14 [4]	.36 [9]		
YA28L4				3/8	----	.40 [10]	2.21 [56]	.41 [10]	.69 [18]	.14 [4]	.42 [11]		
YA28L				1/2	M12	.53 [13]	2.46 [62]	.53 [13]	.69 [18]	.14 [4]	.55 [14]		
YA28LUNPL				1/2	M12	.53 [13]	2.46 [62]	.53 [13]	.69 [18]	.14 [4]	.55 [14]		
YA28L17				5/8	M16	.69 [18]	2.71 [69]	.66 [17]	.69 [18]	.13 [3]	.67 [17]		
YA28L56				3/4	----	.81 [21]	2.90 [74]	.75 [19]	.69 [18]	.13 [3]	.77 [20]		

CONNECTOR SIZE	TOLERANCES					
	B	C	K DIA.	L	N	O.D.
-8C THRU -25	±.06	±.04	±.02	±.09	±.03	±.01
-26 THRU -34	±.08	±.04	±.02	±.12	±.03	±.01
-35 AND UP	±.09	±.06	±.02	±.15	±.06	±.01

TOLERANCE BLOCK

CATALOG NO.	COLOR CODE	DIE INFORMATION				MECHANICAL				HYDRAULIC				DIELESS (# CRIMPS)	WIRE STRIP LENGTH	
		DIE INDEX	TYPE	YIMRTC	OUR840	MD6 MD7	MD6--R2 MD7-34R	Y500CT PATMD6 PAT600	Y34A Y34B Y34BH	Y35, Y39 Y750, PAT750	Y46 PAT46	Y45	Y48B			Y60BHU
YA27L2 YA27L3 YA27L4 YA27L	ORANGE	14	ORANGE DIE SET NEST INDENTOR	----	X27RT(3)	X27RT(3) W27RT(2) W27VT(2)	X27RT(3) W27RT(2) W27VT(2)	X27RT(3) W27RT(2) W27VT(2)	-----	U27RT(1)	U27RT(1)	U27RT(1)	-----	-----	MECHANICAL MY29-3(1) MY29-11(1) MRC840 (2)	1-1/16"
YA28L2 YA28L3 YA28L4 YA28L YA28L17 YA28L56 YA28LUNPL	PURPLE	15	PURPLE DIE SET NEST INDENTOR	----	X28RT(3)	X28RT(3) W28RT(2) W28VT(2)	X28RT(3) W28RT(2) W28VT(2)	X28RT(3) W87RT(2) W28VT(2)	-----	U28RT(1)	U28RT(1)	U28RT(1)	C28R(1) L28RT(1)	-----	HYDRAULIC: Y644 (1) Y81KFT (2) Y4PC834 (2)	1-1/8"

- NOTES:
- MATERIAL: COPPER TUBING.
 - FINISH: TIN PLATED.
"FOR ALTERNATIVE FINISH ADD ONE OF THE FOLLOWING SUFFIXES:
NICKEL = NK, LEAD = LD, BARE = BR, SILVER = SV"
 - CATALOG # PT6515 ADAPTOR IS REQUIRED TO USE "U" DIES IN Y45 SERIES TOOLS.
 - CATALOG # PUADP-1 ADAPTOR IS REQUIRED TO USE "U" DIES IN Y46 SERIES TOOLS.
 - Y35P3 INDENTOR ADAPTOR REQUIRED FOR Y34PR INDENTOR.
 - PERMANENT DIE IN TOOLING.
 - DIMENSIONS IN BRACKETS [] ARE IN MILLIMETERS ROUNDED OFF TO THE NEAREST MILLIMETER, UNLESS OTHERWISE NOTED, AND ARE FOR REFERENCE ONLY.
 - FOR USE BY CUSTOMERS THAT HAVE THIS HYPRESS™. NO NEW Y34A HYPRESS™ TOOLS ARE BEING PROCESSED. Y34A USES A--D NEST DIES ONLY.
 - CONNECTORS ARE UL LISTED; UNDRILLED VERSIONS ARE NOT UL LISTED.
 - CONNECTORS ARE CSA CERTIFIED. UNDRILLED VERSIONS ARE NOT CSA CERTIFIED.
 - FOR UNDRILLED VERSIONS ADD SUFFIX "-U" TO END OF CATALOG NUMBER. FOR UNDRILLED VERSIONS, USE D MIN. = N MAX. + Z MIN.
 - "X", "W-RT", "W-VT", "U" & "L" DIE SETS ARE COLOR CODED. "A", "B" AND "C" DIES ARE NOT COLOR CODED. NESTS AND INDENTOR TYPE ARE NOT COLOR CODED.
 - THESE PARTS CAN BE ORDERED WITH NO INK MARKING ON THE BARREL. THE CATALOG NUMBERS FOR THESE PARTS ARE YA27L2G1, YA27L3G1, YA27L4G1, YA27LG1 AND YA28L4G1.
 - ADD SUFFIX "UNPL" FOR UNPLATED CONNECTORS WITH NO BARREL MARKINGS.



REFERENCE: SE209240

TO ORDER BURNDY® PRODUCTS CALL
 UNITED STATES
 1-800-346-4175 (LONDONDERRY, NH)
 CANADA:
 1-800-361-6975 (QUEBEC)
 1-800-387-6487 (ALL OTHER PROVINCES)
 FOR PRODUCT INFO: <http://www.burndy.com>

COPPER HYLUG™	
ITEM NO:	N/A
CAT. NO:	YA27-L, YA28-L (SEE TABLE)
DRAWN BY:	J. MICHAUD 08/08/1994
CHECKER:	D. FILLION 10/03/1994
DSN APPVL:	C. PALAGI 08/19/1994
MFG APPVL:	N/A
QA APPVL:	C. ACKERMAN 08/30/1994
MKT APPVL:	T. NELSON 09/07/1994
PROJ. #:	---
DOCUMENT TYPE:	Sales
REL. LEVEL:	Released
DRAWING NO.	SD079848
REV.	K
SCALE:	1:1
SHEET	10 OF 17

REV: PEO200

REV	DATE	DESCRIPTION	ECO	BY	C'H'K.
K	05/22/2015 00:00:00 AM	FORM REQUEST & PRINTING	40359	SV	MB

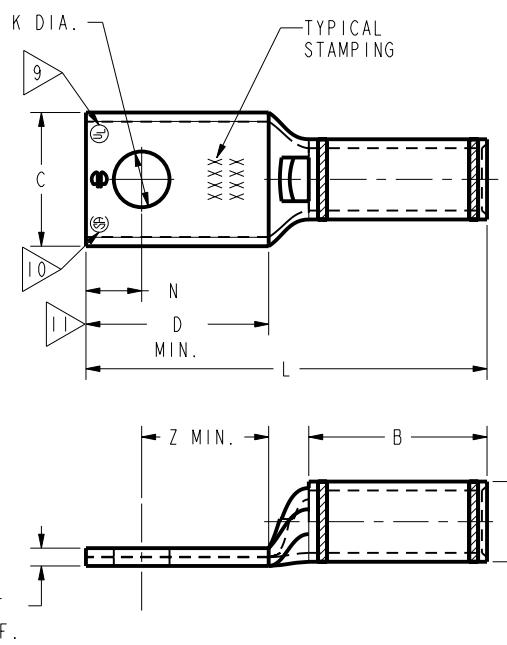
CATALOG NUMBER	STRANDED COPPER CONDUCTOR ACCOMMODATED			BOLT SIZE	METRIC BOLT SIZE	DIMENSIONS							
	CODE (AWG)	NAVY	METRIC SIZE (CLASS 2)			B	C	K DIA.	L	N	O.D.	T REF.	Z MIN.
YA29L2	250 kcmil	250	120mm ² STR [14.5]	1/4	M6	1.06 [27]	1.11 [28]	.27 [7]	2.17 [55]	.25 [6]	.75 [19]	.16 [4]	.33 [8]
YA29L7				5/16	----	.33 [8]	2.30 [58]	.34 [9]	.75 [19]	.16 [4]	.36 [9]		
YA29L4				3/8	----	.40 [10]	2.42 [61]	.41 [10]	.75 [19]	.16 [4]	.42 [11]		
YA29L				1/2	M12	.53 [13]	2.67 [68]	.53 [13]	.75 [19]	.16 [4]	.55 [14]		
YA29LTC78				7/8	----	.94 [24]	3.36 [85]	.88 [22]	.75 [19]	.14 [4]	.89 [23]		
YA30L1	300 kcmil	300	150mm ² STR [16.2]	5/16	----	1.03 [26]	1.20 [30]	.33 [8]	2.31 [59]	.34 [9]	.81 [21]	.16 [4]	.36 [9]
YA30L24				3/8	----	.40 [10]	2.44 [62]	.41 [10]	.81 [21]	.16 [4]	.42 [11]		
YA30L				1/2	M12	.53 [13]	2.69 [68]	.53 [13]	.81 [21]	.16 [4]	.55 [14]		
YA30LUNPL				1/2	M12	.53 [13]	2.69 [68]	.53 [13]	.81 [21]	.16 [4]	.55 [14]		
YA30L7				5/8	M16	.69 [18]	2.94 [75]	.66 [17]	.81 [21]	.16 [4]	.67 [17]		
YA30L27				7/8	----	1.20 [30]	3.37 [86]	.88 [22]	.81 [21]	.16 [4]	.89 [23]		
YA30L28				3/4	----	.81 [20]	3.12 [80]	.75 [19]	.81 [21]	.16 [4]	.77 [19]		

CONNECTOR SIZE	TOLERANCES					
	B	C	K DIA.	L	N	O.D.
-8C THRU -25	±.06	±.04	±.02	±.09	±.03	±.01
-26 THRU -34	±.08	±.04	±.02	±.12	±.03	±.01
-35 AND UP	±.09	±.06	±.02	±.15	±.06	±.01

TOLERANCE BLOCK

CATALOG NO.	COLOR CODE	DIE INFORMATION		MECHANICAL RATCHET				HYDRAULIC						DIELESS (# CRIMPS)	WIRE STRIP LENGTH	
		DIE INDEX	TYPE	YIMRTC	OUR840	MD6 MD7	MD6--R2 MD7-34R	Y500CT PATMD6 PAT600	Y34A Y34B Y34BH	Y35, Y39 Y750, PAT750	Y46 PAT46	Y45	Y48B			Y60BHU
YA29L2 YA29L7 YA29L4 YA29L YA29LTC78	YELLOW	16	YELLOW DIE SET	----	X29RT(4)	X29RT(4) W29VT(2)	X29RT(4) W29RT(2) W29VT(2)	X29RT(4) W29RT(2) W29VT(2)	A29R(1)	U29RT(1)	U29RT(1)	U29RT(1)	C29R(1)	L29RT(1)	MECHANICAL MY29-3 (1) MY29-11 (1)	1-1/8"
			NEST	----	----	----	----	----	A29D(1) B29D(1)	U29D-1(1)	U29D-1(1)	U29D-1(1)	C29D(1)	----	HYDRAULIC: Y644 (1) Y81KFT (2) Y4PC834 (2)	
			INDENTOR	----	----	----	----	----	Y34PR	Y34PR	Y34PR	Y34PR	Y48PR	----		
YA30L1 YA30L24 YA30L YA30L7 YA30L27 YA30L28 YA30LUNPL	WHITE	17 298	WHITE DIE SET	----	----	W30VT(2)	W30RT(2) W30VT(2)	W30RT(2) W30VT(2)	A28AR(1)	U30RT(2) U28ART(2)	U30RT(2) U28ART(2)	U30RT(2) U28ART(2)	C30R(2) C28AR(2)	L30RT(1)	HYDRAULIC: Y644 (1) Y81KFT (2) Y4PC834 (2)	1-1/6"
			NEST	----	----	----	----	----	A30D(1) B30D(1)	U30D-1(1)	U30D-1(1)	U30D-1(1)	C30D(1)	----		
			INDENTOR	----	----	----	----	----	Y34PR	Y34PR	Y34PR	Y34PR	Y34PR	----		

- NOTES:
- MATERIAL: COPPER TUBING.
 - FINISH: TIN PLATED.
"FOR ALTERNATIVE FINISH ADD ONE OF THE FOLLOWING SUFFIXES:
NICKEL = NK, LEAD = LD, BARE = BR, SILVER = SV"
 - CATALOG # PT6515 ADAPTOR IS REQUIRED TO USE "U" DIES IN Y45 SERIES TOOLS.
 - CATALOG # PUADP-1 ADAPTOR IS REQUIRED TO USE "U" DIES IN Y46 SERIES TOOLS.
 - Y35P3 INDENTOR ADAPTOR REQUIRED FOR Y34PR INDENTOR.
 - PERMANENT DIE IN TOOLING.
 - DIMENSIONS IN BRACKETS [] ARE IN MILLIMETERS ROUNDED OFF TO THE NEAREST MILLIMETER, UNLESS OTHERWISE NOTED, AND ARE FOR REFERENCE ONLY.
 - FOR USE BY CUSTOMERS THAT HAVE THIS HYPRESS™. NO NEW Y34A HYPRESS™ TOOLS ARE BEING PROCESSED. Y34A USES A--D NEST DIES ONLY.
 - CONNECTORS ARE UL LISTED; UNDRILLED VERSIONS ARE NOT UL LISTED.
 - CONNECTORS ARE CSA CERTIFIED. UNDRILLED VERSIONS ARE NOT CSA CERTIFIED.
 - FOR UNDRILLED VERSIONS ADD SUFFIX "-U" TO END OF CATALOG NUMBER. FOR UNDRILLED VERSIONS, USE D MIN. = N MAX. + Z MIN.
 - "X", "W-RT", "W-VT", "U" & "L" DIE SETS ARE COLOR CODED. "A", "B" AND "C" DIES ARE NOT COLOR CODED. NESTS AND INDENTOR TYPE ARE NOT COLOR CODED.
 - ADD SUFFIX "UNPL" FOR UNPLATED CONNECTORS WITH NO BARREL MARKINGS.



REFERENCE: SE209240

TO ORDER BURNDY® PRODUCTS CALL
 UNITED STATES
 1-800-346-4175 (LONDONDERRY, NH)
 CANADA:
 1-800-361-6975 (QUEBEC)
 1-800-387-6487 (ALL OTHER PROVINCES)
 FOR PRODUCT INFO: <http://www.burndy.com>

COPPER HYLUG™	
ITEM NO:	N/A
CAT. NO:	YA-L, YA-L-TC-, YAV-TC-
DRAWN BY:	J MITCHAUD 8/9/94
CHECKER:	D FILLION 10/3/94
DSN APPVL:	C PALAGI 8/19/94
MFG APPVL:	N/A N/A
QA APPVL:	C ACKERMAN 9/30/94
MKT APPVL:	T NELSON 9/7/94
PROD FAM:	CM&R COMPRESSION
PROJECT #:	---
DOCUMENT TYPE:	Sales
REL LEVEL:	Released
DRAWING NO	SD079848
REV	K
SCALE:	1:1
SHEET	11 OF 17

REV: PE0200

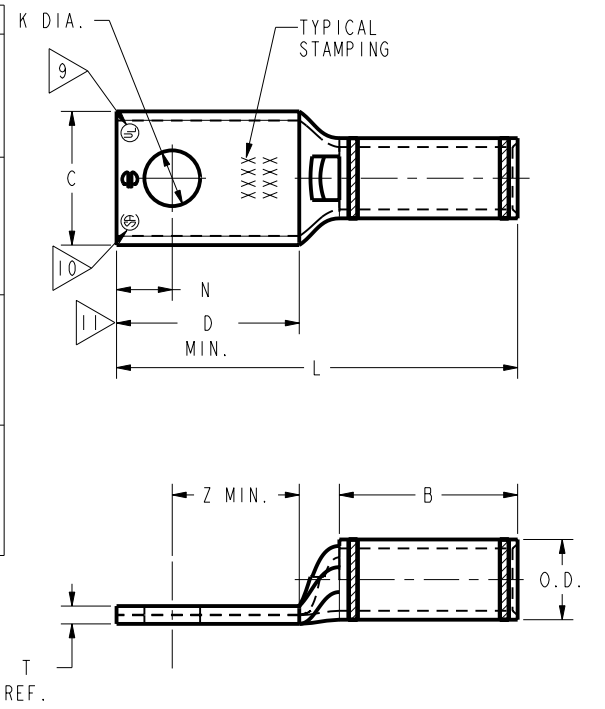
REV	DATE	DESCRIPTION	ECO	BY	C'H'K.
K	05/22/2015 00:00:00 AM	FORM REQUEST + FINISHING	40359	SV	MB

CATALOG NUMBER	STRANDED COPPER CONDUCTOR ACCOMMODATED			BOLT SIZE	METRIC BOLT SIZE	DIMENSIONS								
	CODE (AWG)	NAVY	METRIC SIZE (CLASS 2)			B	C	K DIA.	L	N	O.D.	T REF.	Z MIN.	
YA31L11	350 kcmil	350	----	3/8	----	1.06 [27]	1.29 [33]	.40 [10]	2.50 [64]	.41 [10]	.88 [22]	.18 [5]	.42 [11]	
YA31L				1/2	M12			.53 [13]	2.75 [70]	.53 [13]				.55 [14]
YA31L7				5/8	M16			.69 [18]	3.00 [76]	.66 [17]				.67 [17]
YA31L36				7/8	----			.94 [24]	4.02 [102]	1.19 [30]				1.16 [29]
YA31L38				3/4	M10			1.06 [27]	1.29 [33]	.81 [21]	3.16 [80]	.75 [19]	.88 [22]	.18 [5]
YA32L14	400 kcmil	400	----	3/8	----	1.19 [30]	1.40 [36]	.40 [10]	2.68 [68]	.41 [10]	.95 [24]	.19 [5]	.42 [11]	
YA32L1				1/2	M12			.53 [13]	2.93 [74]	.53 [13]				.55 [14]
YA32L1UNPL				5/8	M16			.69 [18]	3.18 [81]	.67 [17]				.67 [17]
YA32L				7/8	----			1.19 [30]	1.40 [36]	.94 [24]	3.62 [92]	.88 [22]	.95 [24]	.19 [5]
YA32LTC78														
YA33L	450 kcmil	----	----	5/8	M16	1.50 [38]	1.48 [38]	.69 [18]	3.57 [91]	.66 [17]	1.01 [26]	.21 [5]	.67 [17]	

CONNECTOR SIZE	TOLERANCES					
	B	C	K DIA.	L	N	O.D.
-8C THRU -25	±.06	±.04	±.02	±.09	±.03	±.01
-26 THRU -34	±.08	±.04	±.02	±.12	±.03	±.01
-35 AND UP	±.09	±.06	±.02	±.15	±.06	±.01

TOLERANCE BLOCK

CATALOG NO.	COLOR CODE	DIE INFORMATION		MECHANICAL RATCHET				HYDRAULIC				DIELESS (# CRIMPS)	WIRE STRIP LENGTH			
		DIE INDEX	TYPE	YIMRTC	OUR840	MD6 MD7	MD6--R2 MD7-34R	Y500CT PATMD6 PAT600	Y34A Y34B Y34BH	Y35, Y39 Y750, PAT750	Y46 PAT46			Y45	Y48B	Y60BHU
YA31L11 YA31L YA31L7 YA31L36 YA31L38	RED	18 324	RED DIE SET NEST INDENTOR	----	----	W31VT(2)	W31RT(2) W31VT(2)	W31VT(2) W31RT(2)	----	U31RT(2) U29ART(2)	U31RT(2) U29ART(2)	U31RT(2) U29ART(2)	C31R(2) C29AR(2)	L31RT(1) L29ART(1)	HYDRAULIC: Y644 (1) Y81KFT (2) Y4PC834 (2)	1-1/8"
YA32L14 YA32L1 YA32L1UNPL YA32L YA32LTC78	BLUE	19 470	BLUE DIE SET NEST INDENTOR	----	----	W32VT(2)	W32RT(2) W32VT(2)	W32VT(2) W32RT(2)	----	U32RT(2) U30ART(2)	U32RT(2) U30ART(2)	U32RT(2) U30ART(2)	C32R(2) C30AR(2)	L32RT(1) L30ART(1)		1-1/4"
YA33L	GRAY	326 538	GRAY DIE SET NEST INDENTOR	----	----	W33VT(2)	W33RT(2) W33VT(2)	W33VT(2) W33RT(2)	----	U33RT(2)	U33RT(2)	U33RT(2)	----	L33RT(1)		1-9/16"



NOTES:

- MATERIAL: COPPER TUBING.
- FINISH: TIN PLATED.
"FOR ALTERNATIVE FINISH ADD ONE OF THE FOLLOWING SUFFIXES:
NICKEL = NK, LEAD = LD, BARE = BR, SILVER = SV"
- CATALOG # PT6515 ADAPTOR IS REQUIRED TO USE "U" DIES IN Y45 SERIES TOOLS.
- CATALOG # PUADP-1 ADAPTOR IS REQUIRED TO USE "U" DIES IN Y46 SERIES TOOLS.
- Y35P3 INDENTOR ADAPTOR REQUIRED FOR Y34PR INDENTOR.
- PERMANENT DIE IN TOOLING.
- DIMENSIONS IN BRACKETS [] ARE IN MILLIMETERS ROUNDED OFF TO THE NEAREST MILLIMETER, UNLESS OTHERWISE NOTED, AND ARE FOR REFERENCE ONLY.
- FOR USE BY CUSTOMERS THAT HAVE THIS HYPRESS™, NO NEW Y34A HYPRESS™ TOOLS ARE BEING PROCESSED. Y34A USES A--D NEST DIES ONLY.
- CONNECTORS ARE UL LISTED; UNDRILLED VERSIONS ARE NOT UL LISTED.
- CONNECTORS ARE CSA CERTIFIED. UNDRILLED VERSIONS ARE NOT CSA CERTIFIED.
- FOR UNDRILLED VERSIONS ADD SUFFIX "-U" TO END OF CATALOG NUMBER.
FOR UNDRILLED VERSIONS, USE D MIN. = N MAX. + Z MIN.
- "X", "W-RT", "W-VT", "U" & "L" DIE SETS ARE COLOR CODED. "A", "B" AND "C" DIES ARE NOT COLOR CODED. NESTS AND INDENTOR TYPE ARE NOT COLOR CODED.

ADD SUFFIX "UNPL" FOR UNPLATED CONNECTORS WITH NO BARREL MARKINGS.

REFERENCE: SE209240

TO ORDER BURNDY® PRODUCTS CALL
UNITED STATES
1-800-346-4175 (LONDONDERRY, NH)
CANADA:
1-800-361-6975 (QUEBEC)
1-800-387-6487 (ALL OTHER PROVINCES)
FOR PRODUCT INFO: <http://www.burndy.com>

COPPER HYLUG™	
ITEM NO:	N/A
CAT. NO:	YA-L, YA-L-TC-, YAV-TC-
DRAWN BY:	J MICHAUD 8/9/94
CHECKER:	D FILLION 10/9/94
DSN APPVL:	C PALAGI 8/19/94
MFG APPVL:	N/A N/A
QA APPVL:	C ACKERMAN 9/30/94
MKT APPVL:	T NELSON 9/7/94
PROD FAM:	CM&R COMPRESSION
PROJECT #:	---
DOCUMENT TYPE:	Sales
REL LEVEL:	Released
DRAWING NO	SD079848
REV	K
SCALE:	1:1
SHEET	12 OF 17

REV: PE0200

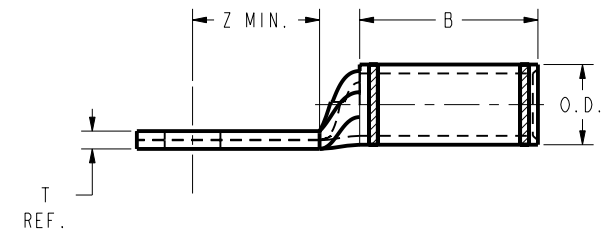
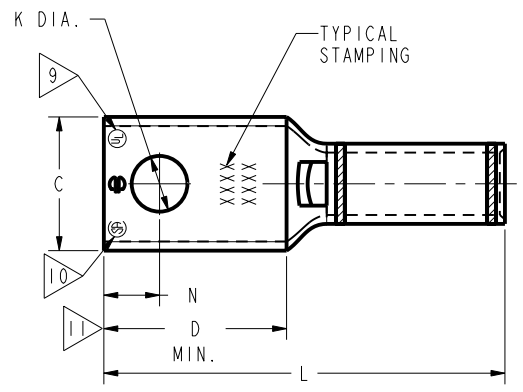
CATALOG NUMBER	STRANDED COPPER CONDUCTOR ACCOMMODATED			BOLT SIZE	METRIC BOLT SIZE	DIMENSIONS								
	CODE (AWG)	NAVY	METRIC SIZE (CLASS 2)			B	C	K DIA.	L	N	O.D.	T REF.	Z MIN.	
YA34L37	500 Kcmil ↑ ↓ 500 Kcmil	----	240mm ² STR [23.1]	3/8	----	1.27 [32]	1.55 [39]	.40 [10]	2.87 [73]	.41 [10]	1.06 [27]	.23 [6]	.42 [11]	
YA34L6				1/2	M12	↑	↑	.53 [13]	3.12 [79]	.53 [13]		↑	↑	.55 [14]
YA34L				5/8	M16			.69 [18]	3.37 [86]	.66 [17]				.67 [17]
YA34L8				3/4	----	↓	↓	.81 [21]	3.55 [90]	.75 [19]		↓	↓	.77 [20]
YA34L9				7/8	----			.94 [24]	3.80 [97]	.88 [22]				.89 [23]
YA34L20				1	----	1.07 [27]	4.05 [103]	1.00 [25]	1.06 [27]	.23 [6]		1.02 [26]		

CONNECTOR SIZE	TOLERANCES					
	B	C	K DIA.	L	N	O.D.
-8C THRU -25	±.06	±.04	±.02	±.09	±.03	±.01
-26 THRU -34	±.08	±.04	±.02	±.12	±.03	±.01
-35 AND UP	±.09	±.06	±.02	±.15	±.06	±.01

TOLERANCE BLOCK

CATALOG NO.	COLOR CODE	DIE INFORMATION		MECHANICAL RATCHET				HYDRAULIC						DIELESS (# CRIMPS)	WIRE STRIP LENGTH	
		DIE INDEX	TYPE	YIMRTC	OUR840	MD6 MD7	MD6--R2 MD7-34R	Y500CT PATMD6 PAT600	Y34A Y34B Y34BH	Y35, Y39 Y750, PAT750	Y46 PAT46	Y45	Y48B			Y60BHU
YA34L37 YA34L6 YA34L YA34L8 YA34L9 YA34L20	BROWN	20 299	BROWN DIE SET NEST INDENTOR	----	----	W34VT(2)	W34RT(2) W34VT(2)	W34VT(2) W34RT(2)	----	U34RT(2) U31ART(1)	U34RT(2) P34RT(2) U31ART(1)	U34RT(2) U31ART(1)	C34R(1) C31AR(1)	L34RT(1)	HYDRAULIC: Y644 (1) Y81KFT (2) Y4PC834 (2)	1-7/16"
									Y34PR	Y34PR	Y34PR	Y34PR	Y48PR			

- NOTES:**
- MATERIAL: COPPER TUBING.
 - FINISH: TIN PLATED.
"FOR ALTERNATIVE FINISH ADD ONE OF THE FOLLOWING SUFFIXES:
NICKEL = NK, LEAD = LD, BARE = BR, SILVER = SV"
 - CATALOG # PT6515 ADAPTOR IS REQUIRED TO USE "U" DIES IN Y45 SERIES TOOLS.
 - CATALOG # PUADP-1 ADAPTOR IS REQUIRED TO USE "U" DIES IN Y46 SERIES TOOLS.
 - Y35P3 INDENTOR ADAPTOR REQUIRED FOR Y34PR INDENTOR.
 - PERMANENT DIE IN TOOLING.
 - DIMENSIONS IN BRACKETS [] ARE IN MILLIMETERS ROUNDED OFF TO THE NEAREST MILLIMETER, UNLESS OTHERWISE NOTED, AND ARE FOR REFERENCE ONLY.
 - FOR USE BY CUSTOMERS THAT HAVE THIS HYPRESS™. NO NEW Y34A HYPRESS™ TOOLS ARE BEING PROCESSED. Y34A USES A--D NEST DIES ONLY.
 - CONNECTORS ARE UL LISTED; UNDRILLED VERSIONS ARE NOT UL LISTED.
 - CONNECTORS ARE CSA CERTIFIED. UNDRILLED VERSIONS ARE NOT CSA CERTIFIED.
 - FOR UNDRILLED VERSIONS ADD SUFFIX "-U" TO END OF CATALOG NUMBER. FOR UNDRILLED VERSIONS, USE D MIN. = N MAX. + Z MIN.
 - "X", "W-RT", "W-VT", "U" & "L" DIE SETS ARE COLOR CODED. "A", "B" AND "C" DIES ARE NOT COLOR CODED. NESTS AND INDENTOR TYPE ARE NOT COLOR CODED.



REFERENCE: SE209240

TO ORDER BURNDY® PRODUCTS CALL
 UNITED STATES
 1-800-346-4175 (LONDONDERRY, NH)
 CANADA:
 1-800-361-6975 (QUEBEC)
 1-800-387-6487 (ALL OTHER PROVINCES)
 FOR PRODUCT INFO: <http://www.burndy.com>

HYLUG™ COPPER	
ITEM NO:	N/A
CAT. NO:	YA-L, YA-L-TC-, YAV-TC-
DRAWN BY:	J. MICHAUD 8/10/94
CHECKER:	D. FILLION 10/3/94
DSN APPVL:	C. PALAGI 8/19/94
MFG APPVL:	N/A N/A
QA APPVL:	C. ACKERMAN 9/30/94
MKT APPVL:	T. NELSON 9/30/94
PROD FAM:	CM&R COMPRESSION
PROJECT #:	---
DOCUMENT TYPE:	Sales
REL LEVEL:	Released
DRAWING NO	SD079848
REV	K
SCALE:	1:1
SHEET	13 OF 17

REV: PE0200

DRAWING NO.
SD079848

7

6

5

4

3

2

1

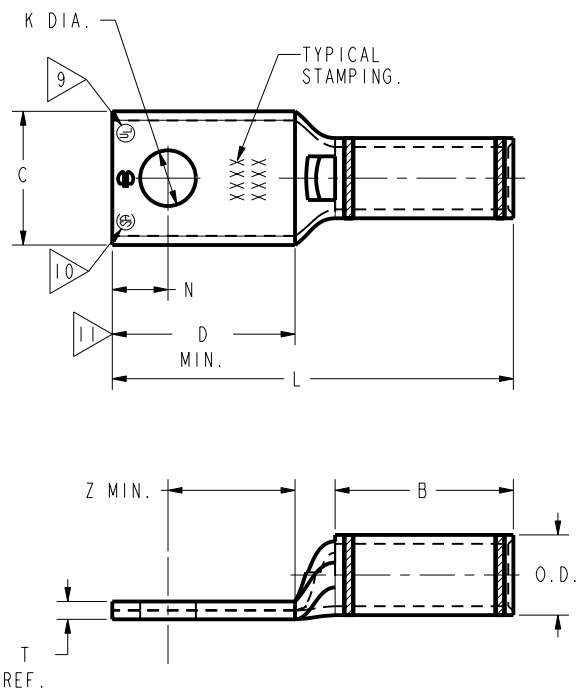
REV	DATE	DESCRIPTION	ECO	BY	C.H.K.
K	05/22/2015 00:00:00 AM	FORM REQUEST & FINISHING	40359	SV	MB

CATALOG NUMBER	STRANDED COPPER CONDUCTOR ACCOMMODATED			BOLT SIZE	METRIC BOLT SIZE	DIMENSIONS							
	CODE (AWG)	NAVY	METRIC SIZE (CLASS 2)			B	C	K DIA.	L	N	O.D.	T REF.	Z MIN.
YA35L	550 Kcmil	-----	-----	5/8	M16	1.69 [43]	1.65 [42]	.69 [18]	3.81 [97]	.66 [17]	1.13 [29]	.25 [06]	.67 [17]
YA36L11 YA36L11UNPL	600 Kcmil	↑	300mm ² STR [23.1]	1/2	M12	1.38 [35]	1.74 [44]	.53 [13]	3.29 [84]	.53 [13]	1.19 [30]	.27 [17]	.55 [14]
YA36L				5/8	M16	1.38 [35]	1.74 [44]	.69 [18]	3.54 [90]	.66 [17]	1.19 [30]	.67 [17]	
YA36L1				3/4	----	1.38 [35]	1.74 [44]	.81 [21]	3.72 [94]	.75 [19]	1.19 [30]	.77 [20]	
YA36L2				1/2	M12	1.38 [35]	1.74 [44]	.53 [13]	3.29 [84]	.53 [13]	1.19 [30]	.55 [14]	
YA36LTC78				7/8	----	1.38 [35]	1.74 [44]	.94 [24]	3.97 [101]	.88 [22]	1.19 [30]	.89 [23]	
YA37L	650 Kcmil	-----	-----	5/8	M16	1.39 [35]	1.80 [46]	.69 [18]	3.57 [91]	.66 [17]	1.23 [31]	.67 [17]	
YA37L1	650 Kcmil	-----	-----	3/4	----	1.39 [35]	1.80 [46]	.81 [21]	3.76 [96]	.75 [19]	1.23 [31]	.77 [20]	
YA38L	700 Kcmil	-----	-----	5/8	M16	1.45 [37]	1.84 [47]	.69 [18]	3.66 [93]	.66 [17]	1.25 [32]	.27 [17]	.67 [17]

CONNECTOR SIZE	TOLERANCES					
	B	C	K DIA.	L	N	O.D.
-8C THRU -25	±.06	±.04	±.02	±.09	±.03	±.01
-26 THRU -34	±.08	±.04	±.02	±.12	±.03	±.01
-35 AND UP	±.09	±.06	±.02	±.15	±.06	±.01

TOLERANCE BLOCK

CATALOG NO.	COLOR CODE	DIE INFORMATION		MECHANICAL RATCHET				HYDRAULIC						DIELESS (# CRIMPS)	WIRE STRIP LENGTH	
		DIE INDEX	TYPE	YIMRTC	OUR840	MD6 MD7	MD6--R2 MD7-34R	Y500CT PATMD6 PAT600	Y34A Y34B Y34BH	Y35, Y39 Y750, PAT750	Y46 PAT46	Y45	Y48B			Y60BHU
YA35L	YELLOW	21	YELLOW DIE SET NEST INDENTOR	----	----	----	----	----	----	U35RT(2)	U35RT(2)	U35RT(2)	----	L35RT(1)	HYDRAULIC: Y644 (1) Y81KFT (2) Y4PC834 (2)	1-3/4"
YA36L11 YA36L11UNPL YA36L YA36L1 YA36L2 YA36LTC78	GREEN	22 472	GREEN DIE SET NEST INDENTOR	----	----	----	----	----	----	U36RT(2) U32ART(2)	U36RT(2) U32ART(2)	U36RT(2) U32ART(2)	C36R(1) C32AR(1)	L36RT(1) L32ART(1)	HYDRAULIC: Y644 (1) Y81KFT (3) Y4PC834 (3)	1-3/4"
YA37L YA37L1	ORANGE	23	ORANGE DIE SET NEST INDENTOR	----	----	----	----	----	----	U37RT(2)	U37RT(2)	U37RT(2)	C37R(1)	L37RT(1)	HYDRAULIC: Y644 (1) Y81KFT (3) Y4PC834 (3)	1-15/16"
YA38L	PINK	400	PINK DIE SET NEST INDENTOR	----	----	----	----	----	----	U38RT(2)	U38RT(2)	U38RT(2)	----	L38RT(1)	HYDRAULIC: Y644 (1) Y81KFT (3) Y4PC834 (3)	1-15/16"



NOTES:

- MATERIAL: COPPER TUBING.
- FINISH: TIN PLATED.
"FOR ALTERNATIVE FINISH ADD ONE OF THE FOLLOWING SUFFIXES:
NICKEL = NK, LEAD = LD, BARE = BR, SILVER = SV"
- CATALOG # PT6515 ADAPTOR IS REQUIRED TO USE "U" DIES IN Y45 SERIES TOOLS.
- CATALOG # PUADP-1 ADAPTOR IS REQUIRED TO USE "U" DIES IN Y46 SERIES TOOLS.
- REMOVED PER PCN 2145.
- PERMANENT DIE IN TOOLING.
- DIMENSIONS IN BRACKETS [] ARE IN MILLIMETERS ROUNDED OFF TO THE NEAREST MILLIMETER, UNLESS OTHERWISE NOTED, AND ARE FOR REFERENCE ONLY.
- FOR USE BY CUSTOMERS THAT HAVE THIS HYPRESS™. NO NEW Y34A HYPRESS™ TOOLS ARE BEING PROCESSED. Y34A USES A--D NEST DIES ONLY.

- CONNECTORS ARE UL LISTED; UNDRILLED VERSIONS ARE NOT UL LISTED.
- CONNECTORS ARE CSA CERTIFIED. UNDRILLED VERSIONS ARE NOT CSA CERTIFIED.
- FOR UNDRILLED VERSIONS ADD SUFFIX "-U" TO END OF CATALOG NUMBER. FOR UNDRILLED VERSIONS, USE D MIN. = N MAX. + Z MIN.
- "X", "W-RT", "W-VT", "U" & "L" DIE SETS ARE COLOR CODED. "A", "B" AND "C" DIES ARE NOT COLOR CODED. NESTS AND INDENTOR TYPE ARE NOT COLOR CODED.
- ADD SUFFIX "UNPL" FOR UNPLATED CONNECTORS WITH NO BARREL MARKINGS.

REFERENCE: SE209240

TO ORDER BURNDY® PRODUCTS CALL		COPPER HYLUG™	
UNITED STATES 1-800-346-4175 (LONDONDERRY, NH)		ITEM NO: N/A	CAT. NO: YA-L-, YAV- (TABLE)
CANADA: 1-800-361-6975 (QUEBEC) 1-800-387-6487 (ALL OTHER PROVINCES)		DRAWN BY: J MICHAUD 8/17/94	CHECKER: D FILLION 10/3/94
FOR PRODUCT INFO: http://www.burndy.com		DSN APPVL: C PALAGI 8/19/94	MFG APPVL: N/A N/A
		QA APPVL: C ACKERMAN 9/30/94	MKT APPVL: T NELSON 9/7/94
		PROD FAM: CM&R COMPRESSION	DRAWING NO: SD079848
		PROJECT #: --	SCALE: 1:1
		DOCUMENT TYPE: Sales	REV: K
		REL LEVEL: Released	SHEET 14 OF 17

REV: PE0200

8

7

6

5

4

3

2

1

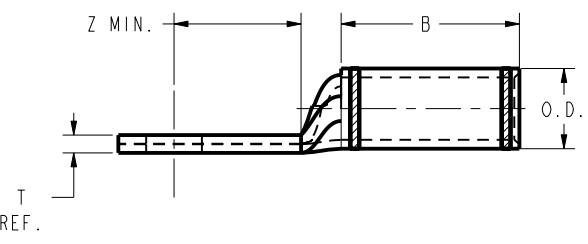
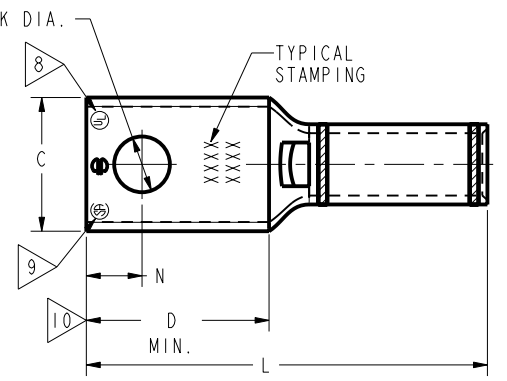
CATALOG NUMBER	STRANDED COPPER CONDUCTOR ACCOMMODATED			BOLT SIZE	METRIC BOLT SIZE	DIMENSIONS							
	CODE (AWG)	NAVY	METRIC SIZE (CLASS 2)			B	C	K DIA	L	N	O.D.	T REF.	Z MIN.
YA39L YA39LUNPL	750 Kcmil	----- ↑ ↓ -----	375mm² STR	5/8	M16	1.42 [36]	1.91 [49]	.69 [18]	3.57 [93]	.66 [17]	1.30 [33]	.27 [7]	.67 [17]
YA39L2				7/8	----	↑	↑	.94 [24]	4.10 [104]	.88 [22]	↓	↓	.89 [23]
YA39L9				1-1/4	----	↓	↓	1.31 [33]	4.85 [123]	1.25 [32]	↓	↓	1.27 [32]
YA39L6				1/2	M12	1.42 [36]	1.91 [49]	.53 [13]	3.41 [87]	.53 [13]	1.30 [33]	.27 [7]	.55 [14]
YA40L	800 Kcmil		400mm² STR [26.1]	5/8	M16	1.42 [36]	1.98 [50]	.69 [18]	3.81 [97]	.66 [17]	1.35 [34]	.30 [8]	.67 [17]
YA41L	850 Kcmil		-----	5/8	M16	1.88 [48]	2.01 [51]	.69 [18]	4.15 [105]	.66 [17]	1.38 [8]	.31 [8]	.67 [17]

CONNECTOR SIZE	TOLERANCES					
	B	C	K DIA.	L	N	O.D.
-8C THRU -25	±.06	±.04	±.02	±.09	±.03	±.01
-26 THRU -34	±.08	±.04	±.02	±.12	±.03	±.01
-35 AND UP	±.09	±.06	±.02	±.15	±.06	±.01

TOLERANCE BLOCK

CATALOG NO.	COLOR CODE	INSTALLATION TOOLING (# CRIMPS)														DIELESS (# CRIMPS)	WIRE STRIP LENGTH
		DIE INFORMATION			MECHANICAL RATCHET				HYDRAULIC								
		DIE INDEX	TYPE	YIMRTC	OUR840	MD6 MD7	MD6--R2 MD7-34R	Y500CT PATMD6 PAT600	Y34A Y34B Y34BH	Y35, Y39 Y750, PAT750	Y46 PAT46	Y45	Y48B	Y60BHU			
YA39L YA39LUNPL	BLACK	24	BLACK DIE SET	----	----	----	----	----	----	U39RT(2)	U39RT(2) P39RT(2)	U39RT(2) S39RT(2)	C39R(1) C36AR(1)	L39RT(1) L36ART(1)	HYDRAULIC: Y644 (1) Y81KFT (3) Y4PC834 (3)	1-15/16"	
YA39L2 YA39L9 YA39L6			NEST	----	----	----	----	----	----	----	P39D(1)	----	C39D(1)	----			
			INDENTOR	----	----	----	----	----	----	----	P44PR	----	Y48PR	----			
YA40L	ORANGE	25	ORANGE DIE SET	----	----	----	----	----	----	----	P40RT(3)	S40RT(3)	C40R(1)	L40RT(1)	HYDRAULIC: Y644 (1) Y81KFT (3) Y4PC834 (3)	1-15/16"	
			NEST	----	----	----	----	----	----	----	P40D(1)	----	C40D(1)	----			
			INDENTOR	----	----	----	----	----	----	----	P44PR	----	Y48PR	----			
YA41L	GOLD	26	GOLD DIE SET	----	----	----	----	----	----	----	----	----	----	----	HYDRAULIC: Y644 (1) Y81KFT (3) Y4PC834 (3)	1-15/16"	
			NEST	----	----	----	----	----	----	----	P41D(1)	----	C41D(1)	----			
			INDENTOR	----	----	----	----	----	----	----	P44PR	----	Y48PR	----			

- NOTES:
- MATERIAL: COPPER TUBING.
 - FINISH: TIN PLATED.
"FOR ALTERNATIVE FINISH ADD ONE OF THE FOLLOWING SUFFIXES:
NICKEL = NK, LEAD = LD, BARE = BR, SILVER = SV"
 - CATALOG # PT6515 ADAPTOR IS REQUIRED TO USE "U" DIES IN Y45 SERIES TOOLS.
 - CATALOG # PUADP-1 ADAPTOR IS REQUIRED TO USE "U" DIES IN Y46 SERIES TOOLS.
 - PERMANENT DIE IN TOOLING.
 - DIMENSIONS IN BRACKETS [] ARE IN MILLIMETERS ROUNDED OFF TO THE NEAREST MILLIMETER, UNLESS OTHERWISE NOTED, AND ARE FOR REFERENCE ONLY.
 - FOR USE BY CUSTOMERS THAT HAVE THIS HYPRESS™. NO NEW Y34A HYPRESS™ TOOLS ARE BEING PROCESSED. Y34A USES A--D NEST DIES ONLY.
 - CONNECTORS ARE UL LISTED; UNDRILLED VERSIONS ARE NOT UL LISTED.
 - CONNECTORS ARE CSA CERTIFIED. UNDRILLED VERSIONS ARE NOT CSA CERTIFIED.
 - FOR UNDRILLED VERSIONS ADD SUFFIX "-U" TO END OF CATALOG NUMBER.
FOR UNDRILLED VERSIONS, USE D MIN. = N MAX. + Z MIN.
 - "X", "W-RT", "W-VT", "U" & "L" DIE SETS ARE COLOR CODED. "A", "B" AND "C" DIES ARE NOT COLOR CODED. NESTS AND INDENTOR TYPE ARE NOT COLOR CODED.
 - ADD SUFFIX "UNPL" FOR UNPLATED CONNECTORS WITH NO BARREL MARKINGS.



REFERENCE: SE209240

TO ORDER BURNDY® PRODUCTS CALL
 UNITED STATES
 1-800-346-4175 (LONDONDERRY, NH)
 CANADA:
 1-800-361-6975 (QUEBEC)
 1-800-387-6487 (ALL OTHER PROVINCES)
 FOR PRODUCT INFO: <http://www.burndy.com>

COPPER HYLUG™	
ITEM NO:	N/A
CAT. NO:	YA-L, YA-L-TC-, YAV-TC-
DRAWN BY:	J MICHAUD 8/17/94
CHECKER:	D FILLION 10/3/94
DSN APPVL:	C PALAGI 8/19/94
MFG APPVL:	N/A N/A
QA APPVL:	C ACKERMAN 9/30/94
MKT APPVL:	T NELSON 9/7/94
PROD FAM:	CM&R COMPRESSION
PROJECT #:	---
DOCUMENT TYPE:	Sales
REL LEVEL:	Released
DRAWING NO	SD079848
REV	K
SCALE:	1:1
SHEET	15 OF 17

REV: PE0200

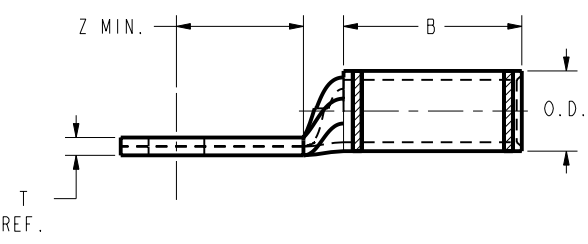
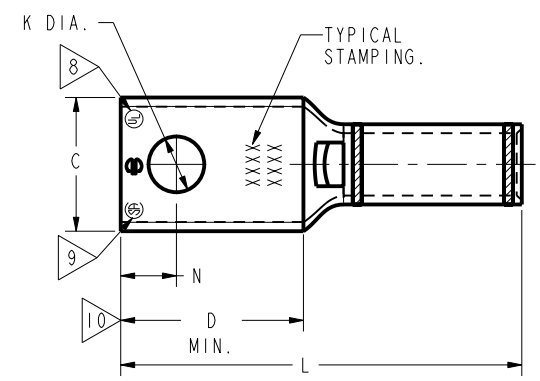
CATALOG NUMBER	STRANDED COPPER CONDUCTOR ACCOMMODATED			BOLT SIZE	METRIC BOLT SIZE	DIMENSIONS							
	CODE (AWG)	NAVY	METRIC SIZE (CLASS 2)			B	C	K DIA.	L	N	O.D.	T REF.	Z MIN.
YA44L	1000 Kcmil	-----	-----	5/8	M16	1.65 [42]	2.19 [56]	.69 [18]	4.04 [103]	.66 [17]	1.50 [38]	.33 [8]	.67 [17]
YA44L2	1000 Kcmil	-----	-----	1/2	M12	1.65 [42]	2.19 [56]	.56 [14]	3.98 [101]	.63 [16]	1.50 [38]	.33 [8]	.64 [16]
YA44L23	1000 Kcmil	-----	-----	1	----	1.65 [42]	2.19 [56]	1.06 [27]	4.73 [120]	1.00 [25]	1.50 [38]	.33 [8]	1.02 [26]
YA45L	1250 Kcmil	-----	630mm ² STR [32.2]	3/4	----	2.00 [51]	2.46 [62]	.81 [21]	4.68 [119]	.75 [19]	1.69 [43]	.38 [10]	.77 [20]
YA45L12	1250 Kcmil	-----	630mm ² STR [32.2]	1/2	M12	2.00 [51]	2.46 [62]	.56 [14]	4.43 [113]	.63 [16]	1.69 [43]	.38 [10]	.64 [16]
YA453L	1300 Kcmil	-----	-----	3/4	----	2.00 [51]	2.53 [64]	.81 [21]	4.71 [120]	.75 [19]	1.74 [44]	.39 [10]	.77 [20]

CONNECTOR SIZE	TOLERANCES					
	B	C	K DIA.	L	N	O.D.
-8C THRU -25	±.06	±.04	±.02	±.09	±.03	±.01
-26 THRU -34	±.08	±.04	±.02	±.12	±.03	±.01
-35 AND UP	±.09	±.06	±.02	±.15	±.06	±.01

TOLERANCE BLOCK

CATALOG NO.	COLOR CODE	INSTALLATION TOOLING (# CRIMPS)															
		DIE INFORMATION			MECHANICAL				HYDRAULIC						DIELESS (# CRIMPS)	WIRE STRIP LENGTH	
DIE INDEX	TYPE	YIMRTC	OUR840	MD6 MD7	MD6--R2 MD7-34R	Y500CT PATMD6 PAT600	Y34A Y34B Y34BH	Y35, Y39 Y750, PAT750	Y46 PAT46	Y45	Y48B	Y60BHU					
YA44L YA44L2 YA44L23	WHITE	27	WHITE DIE SET NEST INDENTOR	----	----	----	----	----	----	----	P44RT(3) P44D(1) P44PR	S44RT(3)	C44R(1) C44D(1) Y48PR	L44RT(2)	HYDRAULIC: Y644 (1) Y81KFT (3) Y4PC834 (3)	1-15/16"	
YA45L YA45L12	YELLOW	29	YELLOW DIE SET NEST INDENTOR	----	----	----	----	----	----	----	P45RT(3) P45D(1) P44PR	S45RT(3)	C45R(2) C45D(1) Y48PR	L45RT(2)	----	2-1/16"	
YA53L	ORANGE	30	ORANGE DIE SET NEST INDENTOR	----	----	----	----	----	----	----	----	----	C453D(1) Y48PR	----	----	2-1/16"	

- NOTES:
- MATERIAL: COPPER TUBING.
 - FINISH: TIN PLATED.
"FOR ALTERNATIVE FINISH ADD ONE OF THE FOLLOWING SUFFIXES:
NICKEL = NK, LEAD = LD, BARE = BR, SILVER = SV"
 - CATALOG # PT6515 ADAPTOR IS REQUIRED TO USE "U" DIES IN Y45 SERIES TOOLS.
 - CATALOG # PUADP-1 ADAPTOR IS REQUIRED TO USE "U" DIES IN Y46 SERIES TOOLS.
 - PERMANENT DIE IN TOOLING.
 - DIMENSIONS IN BRACKETS [] ARE IN MILLIMETERS ROUNDED OFF TO THE NEAREST MILLIMETER, UNLESS OTHERWISE NOTED, AND ARE FOR REFERENCE ONLY.
 - FOR USE BY CUSTOMERS THAT HAVE THIS HYPRESS™. NO NEW Y34A HYPRESS™ TOOLS ARE BEING PROCESSED. Y34A USES A--D NEST DIES ONLY.
 - CONNECTORS ARE UL LISTED; UNDRILLED VERSIONS ARE NOT UL LISTED.
 - CONNECTORS ARE CSA CERTIFIED; UNDRILLED VERSIONS ARE NOT CSA CERTIFIED.
 - FOR UNDRILLED VERSIONS ADD SUFFIX "-U" TO END OF CATALOG NUMBER.
FOR UNDRILLED VERSIONS, USE D MIN. = N MAX. + Z MIN.
 - "X", "W-RT", "W-VT", "U" & "L" DIE SETS ARE COLOR CODED. "A", "B" AND "C" DIES ARE NOT COLOR CODED. NESTS AND INDENTOR TYPE ARE NOT COLOR CODED.



REFERENCE: SE209240

TO ORDER BURNDY® PRODUCTS CALL
UNITED STATES
1-800-346-4175 (LONDONDERRY, NH)
CANADA:
1-800-361-6975 (QUEBEC)
1-800-387-6487 (ALL OTHER PROVINCES)
FOR PRODUCT INFO: <http://www.burndy.com>

HYLUG™ COPPER	
ITEM NO:	N/A
CAT. NO:	YA-L, YA-L-TC & YAV-TC
DRAWN BY:	J MICHAUD 8/17/94
CHECKER:	D FILLION 10/3/94
DSN APPVL:	C PALAGI 8/19/94
MFG APPVL:	N/A N/A
QA APPVL:	C ACKERMAN 9/30/94
MKT APPVL:	T NELSON 9/7/94
PROD FAM:	CM&R COMPRESSION
PROJECT #:	---
DOCUMENT TYPE:	Sales
REL LEVEL:	Released
DRAWING NO	SD079848
REV	K
SCALE:	1:1
SHEET	16 OF 17

REV: PE0200

7

6

5

4

3

2

1

REV	DATE	DESCRIPTION	ECO	BY	C'H'K.
K	05/22/2015 00:00:00 AM	FORM REQUEST & FINISHING	40359	SV	MB

CATALOG NUMBER	STRANDED COPPER CONDUCTOR ACCOMMODATED			BOLT SIZE	METRIC BOLT SIZE	DIMENSIONS							
	CODE (AWG)	NAVY	METRIC SIZE (CLASS 2)			B	C	K DIA.	L	N	O.D.	T REF.	Z MIN.
YA46L	1500 Kcmil	----	800mm ² STR [37.6]	3/4	----	2.00 [51]	2.69 [68]	.81 [21]	4.78 [121]	.75 [19]	1.84 [47]	.40 [10]	.77 [20]
YA47L	1750 Kcmil	----	----	3/4	----	2.19 [57]	2.90 [74]	.81 [21]	5.05 [128]	.75 [19]	1.98 [50]	.42 [11]	.77 [20]
YA48L	2000 Kcmil (1.632 DIA.)	----	1000mm ² STR [42.2]	3/4	----	2.25 [57]	3.10 [79]	.81 [21]	5.19 [132]	.75 [19]	2.13 [54]	.46 [12]	.77 [20]

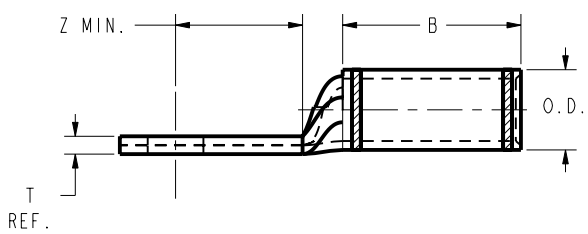
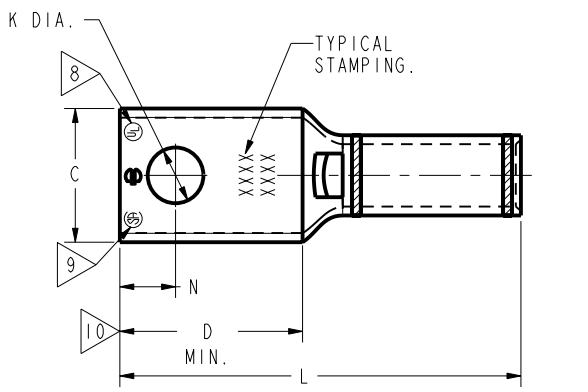
CONNECTOR SIZE	TOLERANCES					
	B	C	K DIA.	L	N	O.D.
-8C THRU -25	±.06	±.04	±.02	±.09	±.03	±.01
-26 THRU -34	±.08	±.04	±.02	±.12	±.03	±.01
-35 AND UP	±.09	±.06	±.02	±.15	±.06	±.01

TOLERANCE BLOCK

CATALOG NO.	COLOR CODE	DIE INFORMATION		MECHANICAL RATCHET				HYDRAULIC						DIELESS (# CRIMPS)	WIRE STRIP LENGTH	
		DIE INDEX	TYPE	YIMRTC	OUR840	MD6 MD7	MD6--R2 MD7-34R	Y500CT PATMD6 PAT600	Y34A Y34B Y34BH	Y35, Y39 Y750, PAT750	Y46 PAT46	Y45	Y48B			Y60BHU
YA46L	GREEN	31	GREEN DIE SET	----	----	----	----	----	----	----	P46RT(3)	S46RT(3)	C46R(2)	L46RT(2)	----	2-1/16"
			NEST	----	----	----	----	----	----	----	12 P44PR(1)	----	C46D(1)	----		
			INDENTOR	----	----	----	----	----	----	----	----	----	Y48PR	----		
YA47L	GRAY	33	GRAY DIE SET	----	----	----	----	----	----	----	----	----	C47R(2)	L47RT(2)	----	2-1/4"
			NEST	----	----	----	----	----	----	----	----	----	C47D(1)	----		
			INDENTOR	----	----	----	----	----	----	----	----	----	Y48PR	----		
YA48L	BROWN	34	BROWN DIE SET	----	----	----	----	----	----	----	----	----	----	L48RT(3)	----	2-3/8"
			NEST	----	----	----	----	----	----	----	----	----	C48D(1)	----		
			INDENTOR	----	----	----	----	----	----	----	----	----	Y48PR	----		

NOTES:

- MATERIAL: COPPER TUBING.
- FINISH: TIN PLATED.
"FOR ALTERNATIVE FINISH ADD ONE OF THE FOLLOWING SUFFIXES:
NICKEL = NK, LEAD = LD, BARE = BR, SILVER = SV"
- CATALOG # PT6515 ADAPTOR IS REQUIRED TO USE "U" DIES IN Y45 SERIES TOOLS.
- CATALOG # PUADP-1 ADAPTOR IS REQUIRED TO USE "U" DIES IN Y46 SERIES TOOLS.
- PERMANENT DIE IN TOOLING.
- DIMENSIONS IN BRACKETS [] ARE IN MILLIMETERS ROUNDED OFF TO THE NEAREST MILLIMETER, UNLESS OTHERWISE NOTED, AND ARE FOR REFERENCE ONLY.
- FOR USE BY CUSTOMERS THAT HAVE THIS HYPRESS™. NO NEW Y34A HYPRESS™ TOOLS ARE BEING PROCESSED. Y34A USES A--D NEST DIES ONLY.
- CONNECTORS ARE UL LISTED; UNDRILLED VERSIONS ARE NOT UL LISTED.
- CONNECTORS ARE CSA CERTIFIED; UNDRILLED VERSIONS ARE NOT CSA CERTIFIED.
- FOR UNDRILLED VERSIONS ADD SUFFIX "-U" TO END OF CATALOG NUMBER.
FOR UNDRILLED VERSIONS, USE D MIN. = N MAX. + Z MIN.
- "X", "W-RT", "W-VT", "U" & "L" DIE SETS ARE COLOR CODED. "A", "B" AND "C" DIES ARE NOT COLOR CODED. NESTS AND INDENTOR TYPE ARE NOT COLOR CODED.
- INDENTOR ONLY - NO NEST REQUIRED.



REFERENCE: SE209240

TO ORDER BURNDY® PRODUCTS CALL
UNITED STATES
1-800-346-4175 (LONDONDERRY, NH)
CANADA:
1-800-361-6975 (QUEBEC)
1-800-387-6487 (ALL OTHER PROVINCES)
FOR PRODUCT INFO: <http://www.burndy.com>

COPPER HYLUG™	
ITEM NO:	N/A
CAT. NO:	YA-L, YA-L-TC-, YAV-TC-
DRAWN BY:	J MICHAUD 8/17/94
CHECKER:	D FILLION 10/3/94
DSN APPVL:	C PALAGI 8/19/94
MFG APPVL:	N/A N/A
QA APPVL:	C ACKERMAN 9/30/94
MKT APPVL:	T NELSON 9/7/94
PROD FAM:	CM&R COMPRESSION
PROJECT #:	---
DOCUMENT TYPE:	Sales
REL LEVEL:	Released
DRAWING NO	SD079848
REV	K
SCALE:	1:1
SHEET	17 OF 17

REV: PE0200

8

7

6

5

4

3

2

1