

CONNECTOR SIZE	TOLERANCES					
	B	C	K DIA.	L	N	O.D.
-10C	±.03	±.04	±.02	±.06	±.03	±.01
8C - 25	±.06	±.04	±.02	±.09	±.03	±.01
26 - 34	±.08	±.04	±.02	±.12	±.03	±.01
35 AND UP	±.09	±.06	±.02	±.15	±.06	±.01

REV	DATE	DESCRIPTION	ECO	BY	C'H'K.
T	2020-08-14 00:00:00 EDT	UPDATED AS PER REQUEST	54025	YR	SS

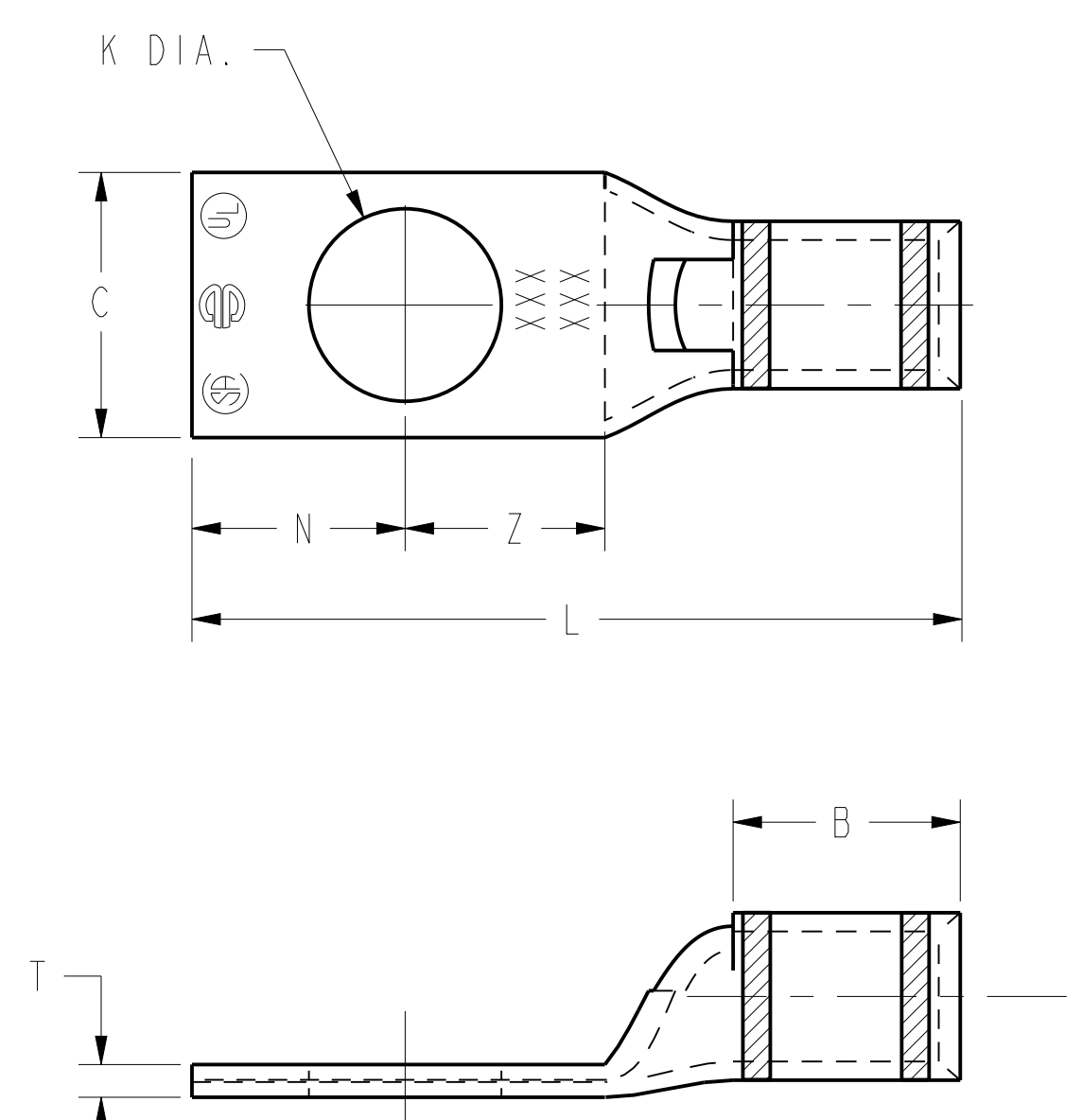


FIG. 1

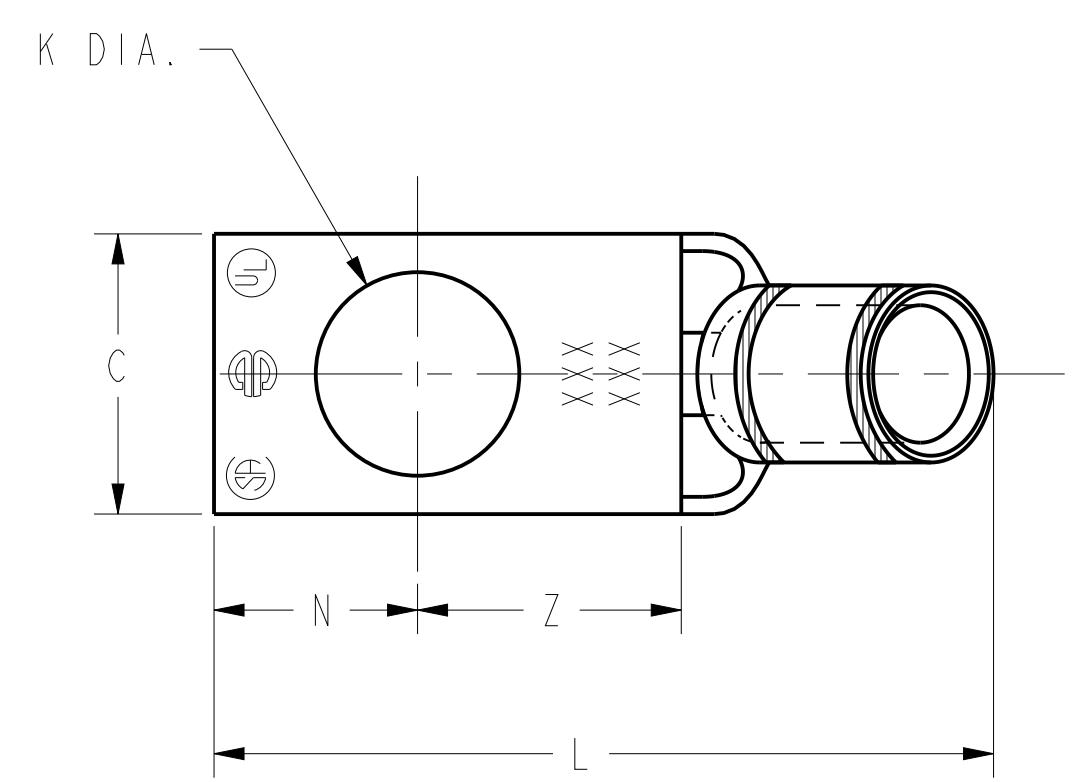


FIG. 2

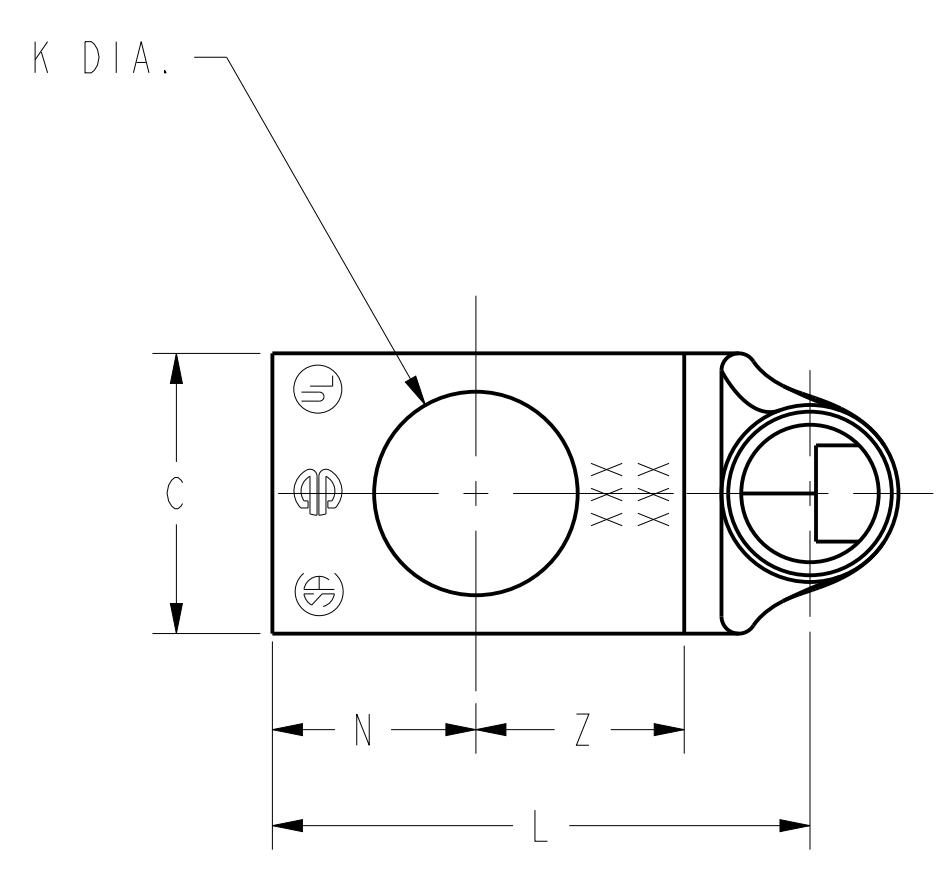


FIG. 3

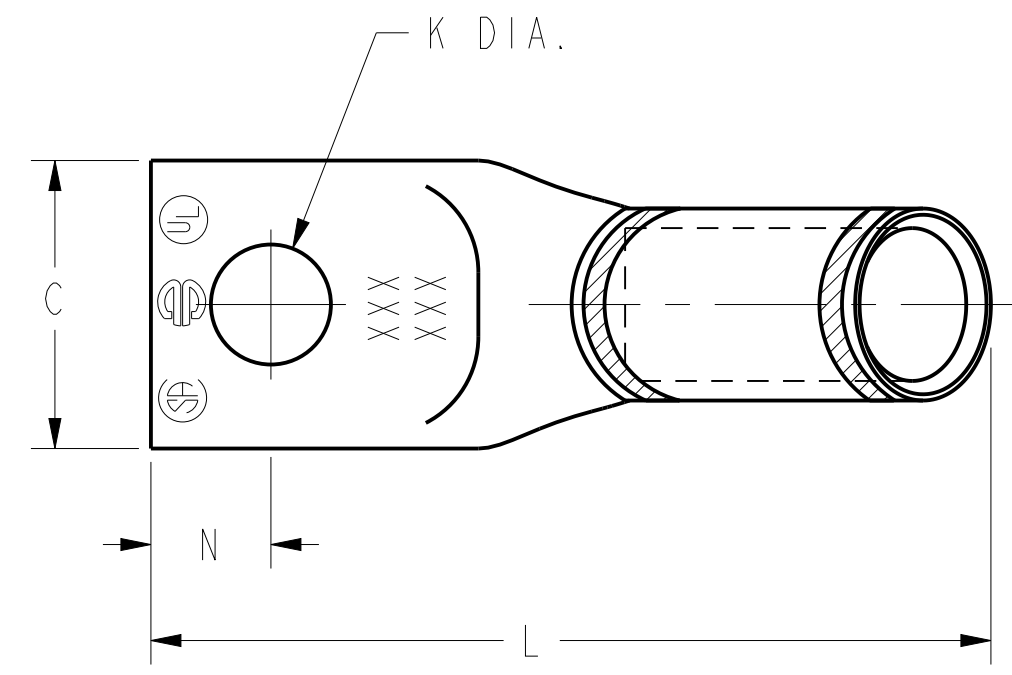


FIG. 4

NOTES:

- MATERIAL: COPPER TUBING.
- FINISH: TIN PLATED. THE FOLLOWING SUFFIXES DENOTE OPTIONAL PLATING TYPES. BR=BARE; LD=LEAD; NK=NICKEL; SV=SILVER. (EXAMPLE: YAV6CLTC38FXBR).
- CATALOG # PT6515 ADAPTOR IS REQUIRED TO USE "U" DIES IN Y45 SERIES TOOLS.
- CATALOG # PUADP-1 ADAPTOR IS REQUIRED TO USE "U" DIES IN Y46 SERIES TOOLS.
- NAVY CABLE SIZE MAY BE OMITTED ON SOME SIZES BECAUSE OF SPACE LIMITATIONS.
- PERMANENT DIE IN TOOLING.
- DIMENSIONS IN [ ] BRACKETS ARE IN MILLIMETERS, ROUNDED OFF TO THE NEAREST MILLIMETER UNLESS OTHERWISE NOTED. METRIC DIMENSIONS ARE FOR REFERENCE ONLY.
- IF HIGHEST REVISION OF THIS SALES PRINT IS AFFECTED, UPDATE PRINT WSA208758 TO INCLUDE THE NEW REVISION.
- ALL OF THE CATALOG NUMBERS FOR THESE HYLUGS™, CAN BE ORDERED WITH OR WITHOUT SKIVE.  
EXAMPLE: YA34L-TC12-FX (SKIVE)  
YAG34L-TC12-FX (NO SKIVE)
- UL LISTED AND CSA CERTIFIED CONNECTORS.
- UNDRILLED VERSIOSNS ARE NOT UL LISTED OR CSA CERTIFIED.
- FOR UNDRILLED VERSIONS ADD SUFFIX "-U" TO END OF CATALOG NUMBER. FOR UNDRILLED VERSIONS, USE D MIN. = N MAX. + Z MIN.
- THESE CATALOG NUMBERS CANNOT BE INSTALLED WITH Y45 OR Y46 TOOLING.

TO ORDER BURNDY® PRODUCTS CALL		HYLUG™	
UNITED STATES 1-800-346-4175 (LONDONDERRY, NH)		ITEM NO: N/A	
CANADA: 1-800-361-6975 (QUEBEC) 1-800-387-6487 (ALL OTHER PROVINCES)		CAT. NO: YAV-L-TC-FX, YAV-L-NT-FX-, YA-L-TC-FX-	
FOR PRODUCT INFO: <a href="http://www.burndy.com">http://www.burndy.com</a>		DRAWN BY: D FILLION 11/25/92	
		CHECKER: K HENRY 10/02/92	
		DSN APPVL: C PALAGI 12/04/92	
		MFG APPVL: -- --	
		QA APPVL: A LLOYD 12/07/92	
		MKT APPVL: T NELSON 12/04/92	
		SCALE: NTS	
		PROJECT #: -- SIZE	
		DOCUMENT TYPE: Sales	
		REL LEVEL: Released	
		DRAWING NO	
		REV	
		SE208001	
		T	
		SHEET 1 OF 18	

REV: PEO200

REV	DATE	DESCRIPTION	ECO	BY	C'H'K.
T	2020-08-14 00:00:00 EDT	UPDATED AS PER REQUEST	54025	YR	SS

D	CATALOG NO.	COPPER CONDUCTOR			BOLT SIZE	FIG. NO.	DIMENSIONS							BURNDY® INSTALLATION TOOLING (# CRIMPS)								WIRE STRIP LENGTH				
		FLEX	CODE (AWG)	NAVY			B	C	H	K	L	N	O.D.	T REF.	Z MIN.	DIE INDEX	COLOR CODE	MECHANICAL			HYDRAULIC			DIELESS (# CRIMPS)		
																		MD7-34R MD6	OUR840	YIMRTC Y122CMR	PATMD6, PAT600, YCT500		Y750, Y35, Y39, PAT750		Y46 PAT46	Y45
	YAV6CLTC10FX	6 AWG CLASS G-M DLO(61/24) 16 mm² CLASS 5	#6 AWG CLASS B,C	30	#10	1	.50 [13]	-----	1.30 [33]	.25 [6]	.31 [8]	.08 [2]	.27 [7]	7 OR 374	BLUE	W5CRT X5CRT W5CVT (1)	X5CRT (1)	(1 CRIMP)	W5CRT X5CRT W5CVT (1)	U5CRT (1)	U5CRT (1)	U5CRT (1)		1/2"		
	YAV6CLTC10FX45						.48 [12]	.78 [20]																	.21 [5]	1.26 [32]
	YAV6CLTC10FX90						.90 [23]	.76 [19]																		
	YAV6CLTC14FX	6 AWG CLASS G-M DLO(61/24) 16 mm² CLASS 5	#6 AWG CLASS B,C	30	1/4	1	.50 [13]	-----	1.43 [36]	.31 [8]	.31 [8]	.08 [2]	.33 [8]	7 OR 374	BLUE	W5CRT X5CRT W5CVT (1)	X5CRT (1)	(1 CRIMP)	W5CRT X5CRT W5CVT (1)	U5CRT (1)	U5CRT (1)	U5CRT (1)		1/2"		
	YAV6CLTC14FX45						.48 [12]	.78 [20]																	.27 [7]	1.39 [35]
	YAV6CLTC14FX90						.90 [23]	.88 [22]																		
	YAV6CLTC516FX	6 AWG CLASS G-M DLO(61/24) 16 mm² CLASS 5	#6 AWG CLASS B,C	30	5/16	1	.50 [13]	-----	1.49 [38]	.34 [9]	.36 [9]	.07 [2]	.36 [9]	7 OR 374	BLUE	W5CRT X5CRT W5CVT (1)	X5CRT (1)	(1 CRIMP)	W5CRT X5CRT W5CVT (1)	U5CRT (1)	U5CRT (1)	U5CRT (1)		1/2"		
	YAV6CLTC516FX45						.52 [13]	.78 [20]																	.33 [8]	1.44 [37]
	YAV6CLTC516FX90						.89 [23]	.94 [24]																		
	YAV6CLTC38FX	6 AWG CLASS G-M DLO(61/24) 16 mm² CLASS 5	#6 AWG CLASS B,C	30	3/8	1	.50 [13]	-----	1.61 [41]	.41 [10]	.42 [11]	.06 [2]	.42 [11]	7 OR 374	BLUE	W5CRT X5CRT W5CVT (1)	X5CRT (1)	(1 CRIMP)	W5CRT X5CRT W5CVT (1)	U5CRT (1)	U5CRT (1)	U5CRT (1)		1/2"		
	YAV6CLTC38FX45						.58 [15]	.77 [20]																	.40 [10]	1.54 [39]
	YAV6CLTC38FX90						.87 [22]	1.06 [27]																		
	YAV6CLTC12FX	6 AWG CLASS G-M DLO(61/24) 16 mm² CLASS 5	#6 AWG CLASS B,C	30	1/2	1	.50 [13]	-----	1.86 [47]	.53 [13]	.55 [14]	.12 [3]	.55 [14]	7 OR 374	BLUE	W5CRT X5CRT W5CVT (1)	X5CRT (1)	(1 CRIMP)	W5CRT X5CRT W5CVT (1)	U5CRT (1)	U5CRT (1)	U5CRT (1)		1/2"		
	YAV6CLTC12FX45						.75 [19]	.80 [20]																	.53 [13]	1.92 [49]
	YAV6CLTC12FX90						.98 [25]	1.34 [34]																		
	YAV6CLTC34FX	6 AWG CLASS G-M DLO(61/24) 16 mm² CLASS 5	#6 AWG CLASS B,C	30	3/4	1	.50 [13]	-----	2.66 [68]	.75 [19]	.77 [20]	.09 [2]	.77 [20]	7 OR 374	BLUE	W5CRT X5CRT W5CVT (1)	X5CRT (1)	(1 CRIMP)	W5CRT X5CRT W5CVT (1)	U5CRT (1)	U5CRT (1)	U5CRT (1)		1/2"		
	YAV6CLTC34FX45						1.04 [26]	.83 [21]																	.81 [21]	2.46 [62]
	YAV6CLTC34FX90						1.01 [26]	1.86 [47]																		
	YAV6CLTC14FX135	16 mm² CLASS 5	#6 AWG CLASS B,C	30	1/4	4	.50 [13]	.48 [12]	.61 [15]	.27 [7]	1.55 [39]	.31 [8]	.33 [8]	7 OR 374	BLUE	W5CRT X5CRT W5CVT (1)	X5CRT (1)	(1 CRIMP)	W5CRT X5CRT W5CVT (1)	U5CRT (1)	U5CRT (1)	U5CRT (1)		1/2"		

MECHANICAL:  
MY29-11 (1)

HYDRAULIC:  
Y81KFT (1)  
PAT81KFT (1)  
Y4PC834 (1)  
PAT4PC834 (1)

REV: PEO200

SEE SHEET 1 OF 18 FOR NOTES

TO ORDER BURNDY® PRODUCTS CALL		HYLUG™	
UNITED STATES 1-800-346-4175 (LONDONDERRY, NH)		ITEM NO: N/A	
CANADA: 1-800-361-6975 (QUEBEC) 1-800-387-6487 (ALL OTHER PROVINCES)		CAT. NO: YAV6CL-TCLFX- (TABLE)	
FOR PRODUCT INFO: <a href="http://www.burndy.com">http://www.burndy.com</a>		DRAWN BY: D FILLION 11/30/92	
		CHECKER: K HENRY 12/02/92	
		DSN APPVL: C PALAGI 12/04/92	
		MFG APPVL: --	
		QA APPVL: A LLOYD 12/07/92	
		MKT APPVL: --	
		PROD FAM: CM&R Compression	
		DRAWING NO: SE208001	
		PROJECT #: --	
		DOCUMENT TYPE: Sales	
		REL LEVEL: Released	
		SCALE: 1:1	
		SHEET 2 OF 18	





REV	DATE	DESCRIPTION	ECO	BY	C.H.K.
T	2020-08-14 00:00:00 EDT	UPDATED AS PER REQUEST	54025	YR	SS

D	CATALOG NO.	CONDUCTOR			BOLT SIZE	FIG. NO.	DIMENSIONS							BURNDY® INSTALLATION TOOLING (# CRIMPS)								DIELESS (# CRIMPS)	WIRE STRIP LENGTH	
		FLEX	CODE (AWG)	5 NAVY			B	C	H	K	L	N	O.D.	T REF.	Z MIN.	DIE INDEX	COLOR CODE	MECHANICAL		HYDRAULIC				
																		MD7-34R MD6	YIMRTC 6 Y122CMR	PATMD6, PAT600, YCT500	Y750, Y35 Y39, PAT750			Y46 PAT46 4
YAV3CLTC14FX	3 AWG FLEX G-M 25 mm <sup>2</sup> CLASS 5 DLO (125/24)	3 AWG CLASS B,C	--	1/4	I	.88 [22]	.60 [15]	-----	.27 [7]	1.84 [47]	.31 [8]	.42 [11]	.11 [3]	.33 [8]	9	WHITE	W3CRT (1)	(1 CRIMP)	W3CRT (1)	U3CRT (1)	U3CRT (1)	U3CRT (1)	MECHANICAL: MY29-11 (1) HYDRAULIC: Y81KFT (1) PAT81KFT (1) Y4PC834 (1) PAT4PC834 (1)	15/16"

C

B

A

SEE SHEET 1 OF 18 FOR NOTES

TO ORDER BURNDY® PRODUCTS CALL		HYLUG™	
UNITED STATES 1-800-346-4175 (LONDONDERRY, NH)		ITEM NO: 518541	
CANADA: 1-800-361-6975 (QUEBEC) 1-800-387-6487 (ALL OTHER PROVINCES)		CAT. NO: YAV3CL-TCLFX- (TABLE)	
FOR PRODUCT INFO: <a href="http://www.burndy.com">http://www.burndy.com</a>		DRAWN BY: D FILLION 11/25/92	
		CHECKER: K HENRY 10/02/92	
		DSN APPVL: C PALAGI 12/04/92	
		MFG APPVL: -- --	
		QA APPVL: A LLOYD 12/07/92	
		MKT APPVL: T NELSON 12/04/92	
		PROD FAM: CM&R Compression	
		DRAWING NO: SE208001	
		PROJECT #: -- SIZE: D	
		DOCUMENT TYPE: Sales	
		REL LEVEL: Released	
		SCALE: 3:1	
		SHEET 4 OF 18	



REV: PE0200

REV	DATE	DESCRIPTION	ECO	BY	C'H'K.
T	2020-08-14 00:00:00 EDT	UPDATED AS PER REQUEST	54025	YR	SS

D

D

C

C

B

B

A

A

REV: PEO200

CATALOG NO.	CONDUCTOR			BOLT SIZE	FIG. NO.	DIMENSIONS							BURNDY® INSTALLATION TOOLING (# CRIMPS)												
	FLEX	CODE (AWG)	5 NAVY			B	C	H	K	L	N	O.D.	T REF.	Z MIN.	DIE INDEX	COLOR CODE	MECHANICAL			HYDRAULIC				DIELESS (# CRIMPS)	WIRE STRIP LENGTH
																	MD7-34R MD6	OUR840	YIMRTC Y122CMR 6	PATMD6, PAT600, YCT500	Y750, Y35 Y39, PAT750	Y46 PAT46 4	Y45 3		
YAV2CLTC10FX	2 AWG CLASS G-M DLO (150/24) 35 mm² CLASS 5	2 AWG CLAS B,C	60	#10 [M5]	.63 [16]	-----	.21 [5]	1.50 [38]	.25 [6]	.46 [12]	.10 [3]	.27 [7]	10	BROWN	W2CRT	X2CRT (1)	(2 CRIMP)	W2CRT	U2CRT (1)	U2CRT (1)	U2CRT (1)	MECHANICAL: MY29-11 (1)  HYDRAULIC: Y644M (1) PAT644 (1) Y81KFT (1) PAT81KFT (1) Y4PC834 (1) PAT4PC834 (1) PAT444(1) Y444(1)	11/16"		
YAV2CLTC10FX45								1.04 [26]							1.46 [37]	W2CRT	X2CRT (1)	(2 CRIMP)	W2CRT	U2CRT (1)	U2CRT (1)			U2CRT (1)	
YAV2CLTC10FX90								1.15 [29]							.84 [21]	W2CRT	X2CRT (1)	(2 CRIMP)	W2CRT	U2CRT (1)	U2CRT (1)			U2CRT (1)	
YAV2CLTC14FX	35 mm² CLASS 5	2 AWG CLAS B,C	60	1/4 [M6]	.63 [16]	-----	.27 [7]	1.62 [41]	.31 [8]	.46 [12]	.10 [3]	.33 [8]	10	BROWN	W2CRT	X2CRT (1)	(2 CRIMP)	W2CRT	U2CRT (1)	U2CRT (1)	U2CRT (1)	MECHANICAL: MY29-11 (1)  HYDRAULIC: Y644M (1) PAT644 (1) Y81KFT (1) PAT81KFT (1) Y4PC834 (1) PAT4PC834 (1) PAT444(1) Y444(1)	11/16"		
YAV2CLTC14FX45								1.04 [26]							1.58 [40]	W2CRT	X2CRT (1)	(2 CRIMP)	W2CRT	U2CRT (1)	U2CRT (1)			U2CRT (1)	
YAV2CLTC14FX90								1.15 [29]							.97 [25]	W2CRT	X2CRT (1)	(2 CRIMP)	W2CRT	U2CRT (1)	U2CRT (1)			U2CRT (1)	
YAV2CLTC516FX	35 mm² CLASS 5	2 AWG CLAS B,C	60	5/16 [M8]	.63 [16]	-----	.33 [8]	1.69 [43]	.34 [9]	.46 [12]	.10 [3]	.36 [9]	10	BROWN	W2CRT	X2CRT (1)	(2 CRIMP)	W2CRT	U2CRT (1)	U2CRT (1)	U2CRT (1)	MECHANICAL: MY29-11 (1)  HYDRAULIC: Y644M (1) PAT644 (1) Y81KFT (1) PAT81KFT (1) Y4PC834 (1) PAT4PC834 (1) PAT444(1) Y444(1)	11/16"		
YAV2CLTC516FX45								1.04 [26]							1.65 [42]	W2CRT	X2CRT (1)	(2 CRIMP)	W2CRT	U2CRT (1)	U2CRT (1)			U2CRT (1)	
YAV2CLTC516FX90								1.15 [29]							1.03 [26]	W2CRT	X2CRT (1)	(2 CRIMP)	W2CRT	U2CRT (1)	U2CRT (1)			U2CRT (1)	
YAV2CLTC38FX	35 mm² CLASS 5	2 AWG CLAS B,C	60	3/8 [M10]	.63 [16]	-----	.40 [10]	1.81 [46]	.41 [10]	.46 [12]	.10 [3]	.42 [11]	10	BROWN	W2CRT	X2CRT (1)	(2 CRIMP)	W2CRT	U2CRT (1)	U2CRT (1)	U2CRT (1)	MECHANICAL: MY29-11 (1)  HYDRAULIC: Y644M (1) PAT644 (1) Y81KFT (1) PAT81KFT (1) Y4PC834 (1) PAT4PC834 (1) PAT444(1) Y444(1)	11/16"		
YAV2CLTC38FX45								1.04 [26]							1.77 [45]	W2CRT	X2CRT (1)	(2 CRIMP)	W2CRT	U2CRT (1)	U2CRT (1)			U2CRT (1)	
YAV2CLTC38FX90								1.15 [29]							1.15 [29]	W2CRT	X2CRT (1)	(2 CRIMP)	W2CRT	U2CRT (1)	U2CRT (1)			U2CRT (1)	
YAV2CLTC12FX	35 mm² CLASS 5	2 AWG CLAS B,C	60	1/2 [M12]	.63 [16]	-----	.53 [13]	2.12 [54]	.53 [13]	.46 [12]	.09 [2]	.55 [14]	10	BROWN	W2CRT	X2CRT (1)	(2 CRIMP)	W2CRT	U2CRT (1)	U2CRT (1)	U2CRT (1)	MECHANICAL: MY29-11 (1)  HYDRAULIC: Y644M (1) PAT644 (1) Y81KFT (1) PAT81KFT (1) Y4PC834 (1) PAT4PC834 (1) PAT444(1) Y444(1)	11/16"		
YAV2CLTC12FX45								1.07 [27]							2.03 [52]	W2CRT	X2CRT (1)	(2 CRIMP)	W2CRT	U2CRT (1)	U2CRT (1)			U2CRT (1)	
YAV2CLTC12FX90								1.17 [30]							1.40 [35]	W2CRT	X2CRT (1)	(2 CRIMP)	W2CRT	U2CRT (1)	U2CRT (1)			U2CRT (1)	
YAV2CLTC14FX135	35 mm² CLASS 5	2 AWG CLAS B,C	60	1/4 [M6]	.63 [16]	-----	.27 [7]	.68 [17]	.31 [8]	.46 [12]	.10 [3]	.33 [8]	10	BROWN	W2CRT	X2CRT (1)	(2 CRIMP)	W2CRT	U2CRT (1)	U2CRT (1)	U2CRT (1)	MECHANICAL: MY29-11 (1)  HYDRAULIC: Y644M (1) PAT644 (1) Y81KFT (1) PAT81KFT (1) Y4PC834 (1) PAT4PC834 (1) PAT444(1) Y444(1)	11/16"		
YAV2CLTC58FX								1.02 [26]							2.37 [60]	W2CRT	X2CRT (1)	(2 CRIMP)	W2CRT	U2CRT (1)	U2CRT (1)			U2CRT (1)	
YAV2CLNT14FX								1.14 [29]							.97 [25]	W2CRT	X2CRT (1)	(2 CRIMP)	W2CRT	U2CRT (1)	U2CRT (1)			U2CRT (1)	
YAV2CLNT14FX90	35 mm² CLASS 5	2 AWG CLAS B,C	60	1/4 [M6]	.63 [16]	.46 MAX. [12]	.27 [7]	1.71 [43]	.31 [8]	.46 [12]	.10 [3]	.33 [8]	10	BROWN	W2CRT	X2CRT (1)	(2 CRIMP)	W2CRT	U2CRT (1)	U2CRT (1)	U2CRT (1)	MECHANICAL: MY29-11 (1)  HYDRAULIC: Y644M (1) PAT644 (1) Y81KFT (1) PAT81KFT (1) Y4PC834 (1) PAT4PC834 (1) PAT444(1) Y444(1)	11/16"		

SEE SHEET 1 OF 18 FOR NOTES

TO ORDER BURNDY® PRODUCTS CALL		HYLUG™	
UNITED STATES 1-800-346-4175 (LONDONDERRY, NH)		ITEM NO: N/A	
CANADA: 1-800-361-6975 (QUEBEC) 1-800-387-6487 (ALL OTHER PROVINCES)		CAT. NO: YAV2CL-TC-FX- (TABLE)	
FOR PRODUCT INFO: <a href="http://www.burndy.com">http://www.burndy.com</a>		DRAWN BY: D FILLION 11/30/92	
		CHECKER: K HENRY 12/02/92	
		DSN APPVL: C PALAGI 12/04/92	
		MFG APPVL: -- --	
		QA APPVL: A LLOYD 12/07/92	
		MKT APPVL: T NELSON 12/04/92	
		PROD FAM: CM&R Compression	
		DRAWING NO: SE208001	
		PROJECT #: --	
		DOCUMENT TYPE: Sales	
		REL LEVEL: Released	
		SCALE: 1:1	
		SHEET 5 OF 18	

REV	DATE	DESCRIPTION	ECO	BY	C'H'K.
T	2020-08-14 00:00:00 EDT	UPDATED AS PER REQUEST	54025	YR	SS

D

D

C

C

B

B

A

A

CATALOG NO.	CONDUCTOR			BOLT SIZE	FIG. NO.	DIMENSIONS								BURNDY® INSTALLATION TOOLING (# CRIMPS)																										
	FLEX	CODE (AWG)	5 NAVY			B	C	H	K	L	N	O.D.	T REF.	Z MIN.	DIE INDEX	COLOR CODE	MECHANICAL		HYDRAULIC			DIELESS (# CRIMPS)	WIRE STRIP LENGTH																	
																	MD7-34R MD6	OUR840	PATMD6, PAT600, YCT500	Y750, Y35 Y39, BAT35 PAT750	Y46 PAT46			4	Y45	3														
YAVICLTC10FX	1 AWG CLASS G-M DLO (225/24)	1 AWG CLASS B,C	75	#10 [M5]	1	.62 [16]	.75 [19]	-----	1.52 [39]	.25 [6]	.51 [13]	.12 [3]	.27 [7]	11 OR 375	GREEN	WICRTI	XICRTI (1)	WICRTI	UICRTI (1)	UICRTI (1)	MECHANICAL: MY29-11 (1)  HYDRAULIC: Y644M (1) PAT644 (1) Y81KFT (1) PAT81KFT (1) Y4PC834 (1) PAT4PC834 (1) PAT444(1) Y444(1)	11/16"																		
YAVICLTC10FX45						2	1.10 [28]	.21 [5]	1.52 [39]							11 OR 375	GREEN	WICRTI	XICRTI (1)	WICRTI			UICRTI (1)	UICRTI (1)																
YAVICLTC10FX90						3	1.20 [30]		.88 [22]							11 OR 375	GREEN	WICRTI	XICRTI (1)	WICRTI			UICRTI (1)	UICRTI (1)																
YAVICLTC14FX				1/4 [M6]	1	-----	1.65 [42]	.31 [8]	.51 [13]	.12 [3]	.27 [7]	11 OR 375	GREEN			WICRTI	XICRTI (1)	WICRTI	UICRTI (1)	UICRTI (1)			MECHANICAL: MY29-11 (1)  HYDRAULIC: Y644M (1) PAT644 (1) Y81KFT (1) PAT81KFT (1) Y4PC834 (1) PAT4PC834 (1) PAT444(1) Y444(1)	11/16"																
YAVICLTC14FX45						2	1.10 [28]									.27 [7]	1.64 [42]	11 OR 375	GREEN	WICRTI					XICRTI (1)	WICRTI	UICRTI (1)	UICRTI (1)												
YAVICLTC14FX90						3	1.20 [30]										1.00 [25]	11 OR 375	GREEN	WICRTI					XICRTI (1)	WICRTI	UICRTI (1)	UICRTI (1)												
YAVICLTC516FX				5/16 [M8]	1	-----	1.71 [43]	.34 [9]	.51 [13]	.12 [3]	.27 [7]					11 OR 375	GREEN	WICRTI	XICRTI (1)	WICRTI					UICRTI (1)	UICRTI (1)	MECHANICAL: MY29-11 (1)  HYDRAULIC: Y644M (1) PAT644 (1) Y81KFT (1) PAT81KFT (1) Y4PC834 (1) PAT4PC834 (1) PAT444(1) Y444(1)	11/16"												
YAVICLTC516FX45						2	1.10 [28]											.33 [8]	1.70 [43]	11 OR 375					GREEN	WICRTI			XICRTI (1)	WICRTI	UICRTI (1)	UICRTI (1)								
YAVICLTC516FX90						3	1.20 [30]												1.07 [27]	11 OR 375					GREEN	WICRTI			XICRTI (1)	WICRTI	UICRTI (1)	UICRTI (1)								
YAVICLTC38FX				3/8 [M10]	1	-----	1.84 [47]	.41 [10]	.51 [13]	.12 [3]	.27 [7]							11 OR 375	GREEN	WICRTI					XICRTI (1)	WICRTI			UICRTI (1)	UICRTI (1)	MECHANICAL: MY29-11 (1)  HYDRAULIC: Y644M (1) PAT644 (1) Y81KFT (1) PAT81KFT (1) Y4PC834 (1) PAT4PC834 (1) PAT444(1) Y444(1)	11/16"								
YAVICLTC38FX45						2	1.10 [28]													.41 [10]					1.83 [46]	11 OR 375			GREEN	WICRTI			XICRTI (1)	WICRTI	UICRTI (1)	UICRTI (1)				
YAVICLTC38FX90						3	1.20 [30]																		1.19 [30]	11 OR 375			GREEN	WICRTI			XICRTI (1)	WICRTI	UICRTI (1)	UICRTI (1)				
YAVICLTC12FX				1/2 [M12]	1	-----	2.09 [53]	.53 [13]	.51 [13]	.12 [3]	.27 [7]									11 OR 375					GREEN	WICRTI			XICRTI (1)	WICRTI			UICRTI (1)	UICRTI (1)	MECHANICAL: MY29-11 (1)  HYDRAULIC: Y644M (1) PAT644 (1) Y81KFT (1) PAT81KFT (1) Y4PC834 (1) PAT4PC834 (1) PAT444(1) Y444(1)	11/16"				
YAVICLTC12FX45						2	1.10 [28]																			.53 [13]			2.08 [53]	11 OR 375			GREEN	WICRTI			XICRTI (1)	WICRTI	UICRTI (1)	UICRTI (1)
YAVICLTC12FX90						3	1.20 [30]																						1.44 [37]	11 OR 375			GREEN	WICRTI			XICRTI (1)	WICRTI	UICRTI (1)	UICRTI (1)

SEE SHEET 1 OF 18 FOR NOTES

TO ORDER BURNDY® PRODUCTS CALL		HYLUG™	
UNITED STATES 1-800-346-4175 (LONDONDERRY, NH)		ITEM NO: N/A	
CANADA: 1-800-361-6975 (QUEBEC) 1-800-387-6487 (ALL OTHER PROVINCES)		CAT. NO: YAVICL-TC-FX-	
FOR PRODUCT INFO: <a href="http://www.burndy.com">http://www.burndy.com</a>		DRAWN BY: R NARESH 04/06/05	
		CHECKER: K BABU 04/06/05	
		DSN APPVL: -- --	
		MFG APPVL: -- --	
		QA APPVL: -- --	
		MKT APPVL: -- --	
		SCALE: 1:1	
		PROD FAM: CM&R Compression	
		DRAWING NO: SE208001	
		PROJECT #: --	
		DOCUMENT TYPE: Sales	
		REL LEVEL: Released	
		SHEET 6 OF 18	



REV: PEO200

REV	DATE	DESCRIPTION	ECO	BY	C'H'K.
T	2020-08-14 00:00:00 EDT	UPDATED AS PER REQUEST	54025	YR	SS

D

D

C

C

B

B

A

A

REV: PE0200

CATALOG NO.	CONDUCTOR			BOLT SIZE	FIG. NO.	DIMENSIONS								BURNDY® INSTALLATION TOOLING (#CRIMPS)													
	FLEX	CODE (AWG)	5 NAVY			B	C	H	K	L	N	O.D.	T REF.	Z MIN.	DIE INDEX	COLOR CODE	MECHANICAL RATCHET		HYDRAULIC			DIELESS (# CRIMPS)	WIRE STRIP LENGTH				
																	MD7-34R MD6	OUR840	BCT500 Y500CT PAT600	Y750 Y35, Y39 PAT750	Y46 PAT46 4			Y45 3			
YAV25LTC10FX	1/0 AWG CLASS G-M DLO (275/24) 50 mm² CLASS 5	1/0 AWG CLASS B,C	100	10	.69 [18]	.83 [21]	-----	.21 [5]	1.63 [41]	.25 [6]	.56 [14]	.12 [3]	.27 [7]	12 OR 348	PINK	W25RT X25RT W25VT (2)	X25RT (2)	W25RT X25RT W25VT (2)	U25RT (1)	U25RT (1)	U25RT (1)	MECHANICAL: MY29-11 (1)  HYDRAULIC: Y644M (1) PAT644 (1) Y81KFT (1) PAT81KFT (1) Y4PC834 (1) PAT4PC834 (1) PAT444(1) Y444(1)	11/16"				
YAV25LTC14FX				1	-----	1.75 [44]																					
YAV25LTC14FX45				1/4	1.20 [30]	.27 [7]	1.71 [43]	.31 [8]																			
YAV25LTC14FX90				3	1.31 [33]		1.03 [26]																				
YAV25LTC516FX				1	-----	1.81 [46]																					
YAV25LTC516FX45				5/16	1.20 [30]	.33 [8]	1.77 [45]	.34 [9]																			
YAV25LTC516FX90				3	1.31 [33]		1.09 [28]																				
YAV25LTC38FX				1	-----	1.94 [49]																					
YAV25LTC38FX45				3/8	1.20 [30]	.40 [10]	1.90 [48]	.41 [10]																			
YAV25LTC38FX90				3	1.31 [33]		1.22 [31]																				
YAV25LTC12FX	1	-----	2.19 [56]																								
YAV25LTC12FX45	1/2	1.20 [30]	.53 [13]	2.15 [55]	.53 [13]																						
YAV25LTC12FX90	3	1.31 [33]		1.47 [37]																							

SEE SHEET 1 OF 18 FOR NOTES

TO ORDER BURNDY® PRODUCTS CALL		HYLUG™	
UNITED STATES 1-800-346-4175 (LONDONDERRY, NH)		ITEM NO: N/A	
CANADA: 1-800-361-6975 (QUEBEC) 1-800-387-6487 (ALL OTHER PROVINCES)		CAT. NO: YAV25L-TC-FX-	
FOR PRODUCT INFO: <a href="http://www.burndy.com">http://www.burndy.com</a>		DRAWN BY: D FILLION 11/30/92	
		CHECKER: K HENRY 12/02/92	
		DSN APPVL: C PALAGI 12/04/92	
		MFG APPVL: -- --	
		QA APPVL: A LLOYD 12/07/92	
		MKT APPVL: T NELSON 12/04/92	
		PROD FAM: CM&R Compression	
		DRAWING NO: SE208001	
		PROJECT #: --	
		DOCUMENT TYPE: Sales	
		REL LEVEL: Released	
		SCALE: 1:1	
		SHEET 7 OF 18	

REV	DATE	DESCRIPTION	ECO	BY	C'H'K.
T	2020-08-14 00:00:00 EDT	UPDATED AS PER REQUEST	54025	YR	SS



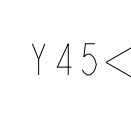
D	CONDUCTOR			BOLT SIZE	CATALOG NO.	FIG. NO.	DIMENSIONS							BURNDY® INSTALLATION TOOLING (# CRIMPS)							DIELESS (# CRIMPS)	WIRE STRIP LENGTH	D					
	FLEX	CODE (AWG)	NAVY 5				B	C	H	K	L	N	O.D.	T REF.	Z MIN.	DIE INDEX	COLOR CODE	MECHANICAL RATCHET		HYDRAULIC				DIELESS (# CRIMPS)	WIRE STRIP LENGTH			
																		MD7-34R MD6	OUR840	BCT500 Y500CT PAT600						Y750, Y35 Y39 PAT750	Y46 PAT46	Y45
C	2/0 AWG CLASS G-M DLO (325/24) 70 mm² CLASS 5	2/0 AWG CLASS B,C	125	#10 [M5]	YAV26LTC10FX	1	.81 [21]	.93 [24]	-----	1.80 [46]		.63 [16]	.13 [3]		13	BLACK	W26RT X26RT W26VT (2)	X26RT (2)	W26RT X26RT W26VT (2)	U26RT (1)	U26RT (1)	U26RT (1)	MECHANICAL: MY29-11 (1)  HYDRAULIC: Y644M (1) PAT644 (1) Y81KFT (1) PAT81KFT (1) Y4PC834 (1) PAT4PC834 (1) PAT444(1) Y444(1)	13/16"				
					YAV26LTC10FX45	2	1.38 [35]	.21 [5]	1.73 [44]	.25 [6]																		
					YAV26LTC10FX90	3	1.49 [38]		.94 [24]																			
					YAV26LTC14FX	1	-----	1.92 [49]																				
					YAV26LTC14FX45	2	1.38 [35]	.27 [7]	1.85 [47]	.31 [8]																		
					YAV26LTC14FX90	3	1.49 [38]		1.07 [27]																			
					YAV26LTC516FX	1	-----	1.98 [50]																				
					YAV26LTC516FX45	2	1.38 [35]	.33 [8]	1.92 [49]	.34 [9]																		
					YAV26LTC516FX90	3	1.49 [38]		1.13 [29]																			
	YAV26LTC38FX	1	-----	2.11 [54]																								
	YAV26LTC38FX45	2	1.38 [35]	.40 [10]	2.04 [52]	.41 [10]																						
	YAV26LTC38FX90	3	1.49 [38]		1.26 [32]																							
	YAV26LTC12FX	1	-----	2.36 [60]																								
	YAV26LTC12FX45	2	1.38 [35]	.53 [13]	2.29 [58]	.53 [13]																						
	YAV26LTC12FX90	3	1.49 [38]		1.51 [38]																							
	YAV26LTC58FX	1	-----	2.61 [66]																								
	YAV26LTC58FX45	2	1.38 [35]	.69 [17]	2.54 [65]	.66 [17]																						
	YAV26LTC58FX90	3	1.49 [38]		1.76 [45]																							
	YAV26LTC34FX	1	-----	2.89 [73]																								
	YAV26LTC34FX45	2	1.44 [37]	.81 [21]	2.75 [70]	.75 [19]																						
	YAV26LTC34FX90	3	1.55 [39]		1.93 [49]																							
	B	2/0 AWG CLASS G-M DLO (325/24) 70 mm² CLASS 5	2/0 AWG CLASS B,C	125	3/4 [M20]	YAV26LTC34FX	1	.81 [21]	1.10 [28]	-----	2.89 [73]		.63 [16]	.11 [3]		13	BLACK	W26RT X26RT W26VT (2)	X26RT (2)	W26RT X26RT W26VT (2)	U26RT (1)	U26RT (1)	U26RT (1)	MECHANICAL: MY29-11 (1)  HYDRAULIC: Y644M (1) PAT644 (1) Y81KFT (1) PAT81KFT (1) Y4PC834 (1) PAT4PC834 (1) PAT444(1) Y444(1)	13/16"			
						YAV26LTC34FX45	2	1.44 [37]	.81 [21]	2.75 [70]	.75 [19]																	
						YAV26LTC34FX90	3	1.55 [39]		1.93 [49]																		

A	SEE SHEET 1 OF 18 FOR NOTES	TO ORDER BURNDY® PRODUCTS CALL		HYLUG™	
		UNITED STATES		ITEM NO: N/A	
		1-800-346-4175 (LONDONDERRY, NH)		CAT. NO: YAV26L-TC-FX-	
		CANADA:		DRAWN BY: D FILLION 11/30/92	
		1-800-361-6975 (QUEBEC)		CHECKER: K HENRY 12/02/92	
		1-800-387-6487 (ALL OTHER PROVINCES)		DSN APPVL: C PALAGI 12/04/92	
		FOR PRODUCT INFO: <a href="http://www.burndy.com">http://www.burndy.com</a>		MFG APPVL: --	
				GA APPVL: A LLOYD 12/07/92	
		MKT APPVL: T NELSON 12/04/92			
		PROD FAM: CM&R Compression		DRAWING NO: REV	
		PROJECT #: --		SIZE	
		DOCUMENT TYPE: Sales		SE208001	
		REL LEVEL: Released		D	
				SHEET 8 OF 18	





REV	DATE	DESCRIPTION	ECO	BY	C'H'K.
T	2020-08-14 00:00:00 EDT	UPDATED AS PER REQUEST	54025	YR	SS

D	CATALOG NO.	CONDUCTOR			BOLT SIZE	FIG. NO.	DIMENSIONS							BURNDY® INSTALLATION TOOLING (# CRIMPS)																
		FLEX	CODE (AWG)	NAVY 			B	C	H	K	L	N	O.D.	T REF.	Z MIN.	DIE INDEX	COLOR CODE	MECHANICAL RATCHET		HYDRAULIC			DIELESS (# CRIMPS)	WIRE STRIP LENGTH						
																		MD7-34R MD6	OUR840	BCT500 Y500CT PAT600	Y750, Y35 Y39, PAT750	Y46 PAT46 			Y45 					
	YAV28LTC14FX	4/0 AWG CLASS G-M DLO (550/24) 120 mm² CLASS 2,5	4/0 AWG CLASS B,C	200	1/4	1	1.03 [26]	-----	-----	2.23 [57]	.31 [8]	.77 [20]	.15 [4]	.33 [8]	15	PURPLE	W28RT (2)	X28RT (3)	W28RT (2)	U28RT (1)	U28RT (1)	U28RT (1)		1-1/16"						
	YAV28LTC14FX45						1.14 [29]	1.70 [43]	.27 [7]	2.11 [53]							W28RT (3)	X28RT (2)	X28RT (3)											
	YAV28LTC14FX90						1.83 [47]	1.14 [29]		2.29 [58]							W28VT (2)		W28VT (2)											
	YAV28LNT516FX				5/16	1	.94 [24]	-----	-----	2.29 [58]	.34 [9]																			
	YAV28LNT516FX45							1.70 [43]	.33 [8]	2.17 [55]															X28RT (3)					
	YAV28LNT516FX90							1.83 [47]	1.21 [31]																2.29 [58]					
	YAV28LTC516FX				5/16	1	1.14 [29]	-----	-----	2.29 [58]	.34 [9]																			
	YAV28LTC516FX45							1.70 [43]	.33 [8]	2.17 [55]															X28RT (3)					
	YAV28LTC516FX90							1.83 [47]	1.21 [31]																2.29 [58]					
	YAV28LNT38FX				3/8	1	.94 [24]	-----	-----	2.42 [61]	.41 [10]																			
	YAV28LNT38FX45							1.70 [43]	.41 [10]	2.29 [58]															X28RT (3)					
	YAV28LNT38FX90							1.83 [47]	1.33 [34]																2.42 [61]					
	YAV28LTC38FX				3/8	1	1.14 [29]	-----	-----	2.42 [61]	.41 [10]																			
	YAV28LTC38FX45							1.70 [43]	.41 [10]	2.29 [58]															X28RT (3)					
	YAV28LTC38FX90							1.83 [47]	1.33 [34]																2.42 [61]					
	YAV28LTC38FX				3/8	2	1.14 [29]	-----	-----	2.42 [61]	.41 [10]																			
	YAV28LTC38FX45							1.70 [43]	.41 [10]	2.29 [58]															X28RT (3)					
	YAV28LTC38FX90							1.83 [47]	1.33 [34]																2.42 [61]					
	YAV28LTC12FX				1/2	1	-----	-----	-----	2.67 [68]	.53 [13]																			
	YAV28LTC12FX45							1.70 [43]	.53 [13]	2.54 [65]															X28RT (3)					
	YAV28LTC12FX90							1.83 [47]	1.58 [40]																2.67 [68]					
	YAV28LTC58FX				5/8	1	-----	-----	-----	2.92 [74]	.66 [17]																			
	YAV28LTC58FX45							1.70 [43]	.69 [17]	2.79 [71]															X28RT (3)					
	YAV28LTC58FX90							1.83 [47]	1.83 [46]																2.92 [74]					
	YAV28LTC34FX	4/0 AWG CLASS G-M DLO (550/24) 120 mm² CLASS 2,5	4/0 AWG CLASS B,C	200	3/4	1	1.03 [26]	-----	-----	3.11 [79]	.75 [19]	.77 [20]	.15 [4]	.77 [19]	15	PURPLE	W28RT (2)	X28RT (3)	W28RT (2)	U28RT (1)	U28RT (1)	U28RT (1)		1-1/16"						
	YAV28LTC34FX45							1.70 [43]	.81 [21]	2.98 [76]							X28RT (3)													
	YAV28LTC34FX90							1.83 [47]	2.02 [51]								3.11 [79]													

MECHANICAL:  
MY29-11 (1)

HYDRAULIC:  
Y644M (1)  
PAT644 (1)  
Y81KFT (2)  
PAT81KFT (2)  
Y4PC834 (2)  
PAT4PC834 (2)  
PAT444(1)  
Y444(1)


SEE SHEET 1 OF 18 FOR NOTES

TO ORDER BURNDY® PRODUCTS CALL		HYLUG™	
UNITED STATES 1-800-346-4175 (LONDONDERRY, NH)		ITEM NO: N/A	
CANADA: 1-800-361-6975 (QUEBEC) 1-800-387-6487 (ALL OTHER PROVINCES)		CAT. NO: YAV28L - (TABLE)	
FOR PRODUCT INFO: <a href="http://www.burndy.com">http://www.burndy.com</a>		DRAWN BY: D FILLION 11/30/92	
		CHECKER: K HENRY 12/02/92	
		DSN APPVL: C PALAGI 12/04/92	
		MFG APPVL: -- --	
		QA APPVL: A LLOYD 12/02/92	
		MKT APPVL: T NELSON 12/04/92	
		SCALE: 1:1	
		PROJECT #: -- SIZE	
		DOCUMENT TYPE: Sales	
		REL LEVEL: Released	
		DRAWING NO: SE208001	
		REV: T	
		SHEET 10 OF 18	

REV: PE0200






REV	DATE	DESCRIPTION	ECO	BY	C'H'K.
T	2020-08-14 00:00:00 EDT	UPDATED AS PER REQUEST	54025	YR	SS

CONDUCTOR			BOLT SIZE	CATALOG NO.	FIG. NO.	DIMENSIONS							BURNDY® INSTALLATION TOOLING (# CRIMPS)											
FLEX	CODE (AWG)	NAVY 				B	C	H	K	L	N	O.D.	T REF.	Z MIN.	DIE INDEX	COLOR CODE	MECHANICAL RATCHET		HYDRAULIC			DIELESS (# CRIMPS)	WIRE STRIP LENGTH	
																	MD7-34R MD6	OUR840	BCT500 Y500CT PAT600	Y750, Y35 Y39, PAT750	Y46 PAT46			Y45
250 FLEX CLASS G: 259 STR	-----	-----	5/16	1.03 [26]	1.20 [30]	-----		2.31 [59]		.81 [21]	.16 [4]		16	YELLOW	W29RT (2) W29VT (2) X29RT (4)	X29RT (4)	W29RT (2) W29VT (2) X29RT (4)	U29RT (1)	U29RT (1)	U29RT (1)	HYDRAULIC: Y644M (1) PAT644 (1) Y81KFT (2) PAT81KFT (2) Y4PC834 (2) PAT4PC834 (2) PAT444(1) Y444(1)	1-1/16"		
				1.75 [44]	.33 [8]	2.22 [56]	.34 [9]																	
				1.89 [48]		1.24 [31]																		
CLASS H: 427 STR	-----	-----	3/8	1.75 [44]	.40 [10]	-----		2.44 [62]		.41 [10]											HYDRAULIC: Y644M (1) PAT644 (1) Y81KFT (2) PAT81KFT (2) Y4PC834 (2) PAT4PC834 (2) PAT444(1) Y444(1)	1-1/16"		
				1.89 [48]		2.35 [60]	.42 [11]																	
				1.89 [48]		1.36 [35]																		
250 FLEX CLASS G: 259 STR	-----	-----	1/2	1.75 [44]	.53 [13]	-----		2.69 [68]		.53 [13]											HYDRAULIC: Y644M (1) PAT644 (1) Y81KFT (2) PAT81KFT (2) Y4PC834 (2) PAT4PC834 (2) PAT444(1) Y444(1)	1-1/16"		
				1.89 [48]		2.60 [66]	.55 [14]																	
				1.89 [48]		1.61 [41]																		
CLASS H: 427 STR	-----	-----	5/8	1.75 [44]	.69 [17]	-----		2.94 [75]		.66 [17]											HYDRAULIC: Y644M (1) PAT644 (1) Y81KFT (2) PAT81KFT (2) Y4PC834 (2) PAT4PC834 (2) PAT444(1) Y444(1)	1-1/16"		
				1.89 [48]		2.85 [72]	.67 [17]																	
				1.89 [48]		1.86 [47]																		
250 FLEX CLASS G: 259 STR	-----	-----	3/4	1.75 [44]	.81 [21]	-----		3.12 [79]		.75 [19]											HYDRAULIC: Y644M (1) PAT644 (1) Y81KFT (2) PAT81KFT (2) Y4PC834 (2) PAT4PC834 (2) PAT444(1) Y444(1)	1-1/16"		
				1.89 [48]		3.04 [77]	.77 [19]																	
				1.89 [48]		2.05 [52]																		
CLASS H: 427 STR	-----	-----		1.03 [26]	1.20 [30]	1.89 [48]		2.05 [52]		.81 [21]	.16 [4]		16	YELLOW	W29RT (2) W29VT (2) X29RT (4)	X29RT (4)	W29RT (2) W29VT (2) X29RT (4)	U29RT (1)	U29RT (1)	U29RT (1)		1-1/16"		

SEE SHEET 1 OF 18 FOR NOTES

TO ORDER BURNDY® PRODUCTS CALL		HYLUG™	
UNITED STATES		DRAWING NO	
1-800-346-4175 (LONDONDERRY, NH)		REV	
CANADA:		SCALE: 1:1	
1-800-361-6975 (QUEBEC)		DRAWING NO	
1-800-387-6487 (ALL OTHER PROVINCES)		REV	
FOR PRODUCT INFO: <a href="http://www.burndy.com">http://www.burndy.com</a>		SCALE: 1:1	
		DRAWING NO	
		REV	
		SCALE: 1:1	
		DRAWING NO	
		REV	
		SCALE: 1:1	
		DRAWING NO	
		REV	
		SCALE: 1:1	
		DRAWING NO	
		REV	
		SCALE: 1:1	
		DRAWING NO	
		REV	
		SCALE: 1:1	
		DRAWING NO	
		REV	
		SCALE: 1:1	
		DRAWING NO	
		REV	
		SCALE: 1:1	
		DRAWING NO	
		REV	
		SCALE: 1:1	
		DRAWING NO	
		REV	
		SCALE: 1:1	
		DRAWING NO	
		REV	
		SCALE: 1:1	
		DRAWING NO	
		REV	
		SCALE: 1:1	
		DRAWING NO	
		REV	
		SCALE: 1:1	
		DRAWING NO	
		REV	
		SCALE: 1:1	
		DRAWING NO	
		REV	
		SCALE: 1:1	
		DRAWING NO	
		REV	
		SCALE: 1:1	
		DRAWING NO	
		REV	
		SCALE: 1:1	
		DRAWING NO	
		REV	
		SCALE: 1:1	
		DRAWING NO	
		REV	
		SCALE: 1:1	
		DRAWING NO	
		REV	
		SCALE: 1:1	
		DRAWING NO	
		REV	
		SCALE: 1:1	
		DRAWING NO	
		REV	
		SCALE: 1:1	
		DRAWING NO	
		REV	
		SCALE: 1:1	
		DRAWING NO	
		REV	
		SCALE: 1:1	
		DRAWING NO	
		REV	
		SCALE: 1:1	
		DRAWING NO	
		REV	
		SCALE: 1:1	
		DRAWING NO	
		REV	
		SCALE: 1:1	
		DRAWING NO	
		REV	
		SCALE: 1:1	
		DRAWING NO	
		REV	
		SCALE: 1:1	
		DRAWING NO	
		REV	
		SCALE: 1:1	
		DRAWING NO	
		REV	
		SCALE: 1:1	
		DRAWING NO	
		REV	
		SCALE: 1:1	
		DRAWING NO	
		REV	
		SCALE: 1:1	
		DRAWING NO	
		REV	
		SCALE: 1:1	
		DRAWING NO	
		REV	
		SCALE: 1:1	
		DRAWING NO	
		REV	
		SCALE: 1:1	
		DRAWING NO	
		REV	
		SCALE: 1:1	
		DRAWING NO	
		REV	
		SCALE: 1:1	
		DRAWING NO	
		REV	
		SCALE: 1:1	
		DRAWING NO	
		REV	
		SCALE: 1:1	
		DRAWING NO	
		REV	
		SCALE: 1:1	
		DRAWING NO	
		REV	
		SCALE: 1:1	
		DRAWING NO	
		REV	
		SCALE: 1:1	
		DRAWING NO	
		REV	
		SCALE: 1:1	
		DRAWING NO	
		REV	
		SCALE: 1:1	
		DRAWING NO	
		REV	
		SCALE: 1:1	
		DRAWING NO	
		REV	
		SCALE: 1:1	
		DRAWING NO	
		REV	
		SCALE: 1:1	
		DRAWING NO	
		REV	
		SCALE: 1:1	
		DRAWING NO	
		REV	
		SCALE: 1:1	
		DRAWING NO	
		REV	
		SCALE: 1:1	
		DRAWING NO	
		REV	
		SCALE: 1:1	
		DRAWING NO	
		REV	
		SCALE: 1:1	
		DRAWING NO	
		REV	
		SCALE: 1:1	
		DRAWING NO	
		REV	
		SCALE: 1:1	
		DRAWING NO	
		REV	
		SCALE: 1:1	
		DRAWING NO	
		REV	
		SCALE: 1:1	
		DRAWING NO	
		REV	
		SCALE: 1:1	
		DRAWING NO	
		REV	
		SCALE: 1:1	
		DRAWING NO	
		REV	
		SCALE: 1:1	
		DRAWING NO	
		REV	
		SCALE: 1:1	
		DRAWING NO	
		REV	
		SCALE: 1:1	
		DRAWING NO	
		REV	
		SCALE: 1:1	
		DRAWING NO	
		REV	
		SCALE: 1:1	
		DRAWING NO	
		REV	
		SCALE: 1:1	
		DRAWING NO	
		REV	
		SCALE: 1:1	
		DRAWING NO	
		REV	
		SCALE: 1:1	
		DRAWING NO	
		REV	
		SCALE: 1:1	
		DRAWING NO	
		REV	
		SCALE: 1:1	
		DRAWING NO	
		REV	
		SCALE: 1:1	
		DRAWING NO	
		REV	
		SCALE: 1:1	
		DRAWING NO	
		REV	
		SCALE: 1:1	
		DRAWING NO	
		REV	
		SCALE: 1:1	
		DRAWING NO	
		REV	
		SCALE: 1:1	
		DRAWING NO	
		REV	
		SCALE: 1:1	
		DRAWING NO	
		REV	
		SCALE: 1:1	
		DRAWING NO	
		REV	
		SCALE: 1:1	
		DRAWING NO	
		REV	
		SCALE: 1:1	
		DRAWING NO	
		REV	
		SCALE: 1:1	
		DRAWING NO	
		REV	
		SCALE: 1:1	
		DRAWING NO	

REV	DATE	DESCRIPTION	ECO	BY	C'H'K.
T	2020-08-14 00:00:00 EDT	UPDATED AS PER REQUEST	54025	YR	SS

CONDUCTOR			BOLT SIZE	CATALOG NO.	FIG. NO.	DIMENSIONS							BURNDY® INSTALLATION TOOLING (# CRIMPS)															
FLEX	CODE (AWG)	NAVY 				B	C	H	K	L	N	O.D	T REF.	Z MIN.	DIE INDEX	COLOR CODE	MECHANICAL RATCHET		HYDRAULIC			DIELESS (# CRIMPS)	WIRE STRIP LENGTH					
																	MD7-34R MD6	BCT500 Y500CT PAT600	Y750, Y35 Y39, PAT750	Y46 PAT46 	Y45 							
250 FLEX CLASS I, K, M 262.2 DLO (650/24)  150 mm² CLASS 5	-----	-----	1/4	YA31LTC14FX	1	1.06 [27]	1.29 [33]	-----		2.31 [59]			.88 [22]	.18 [4]			17 OR 298	WHITE	W30VT (2)	W30RT (2) W30VT (2)	U30RT (2)	U30RT (2)	U30RT (2)		1-1/8"			
				YA31LTC14FX45	2			1.85 [47]	.27 [7]	2.23 [57]	.31 [8]																	
				YA31LTC14FX90	3			1.98 [50]		1.19 [30]																		
			5/16	YA31LTC516FX	1			-----			2.37 [60]																	
				YA31LTC516FX45	2			1.85 [47]	.33 [8]	2.30 [58]	.34 [9]																	
				YA31LTC516FX90	3			1.98 [50]		1.27 [32]																		
			3/8	YA31LTC38FX	1			-----			2.50 [64]																	
				YA31LTC38FX45	2			1.85 [47]	.40 [10]	2.42 [61]	.41 [10]																	
				YA31LTC38FX90	3			1.98 [50]		1.40 [36]																		
			1/2	YA31LNT12FX	1			-----			2.75 [70]																	
				YA31LNT12FX45	2			.96 [24]	1.85 [47]	.53 [13]	2.67 [68]	.53 [13]																
				YA31LNT12FX90	3			1.98 [50]		1.65 [42]																		
1/2	YA31LTC12FX	1			1.29 [33]	-----		2.75 [70]																				
	YA31LTC12FX45	2				1.85 [47]	.53 [13]	2.67 [68]	.53 [13]																			
	YA31LTC12FX90	3			1.98 [50]		1.65 [42]																					
5/8	YA31LTC58FX	1			-----			3.00 [76]																				
	YA31LTC58FX45	2			1.85 [47]	.69 [17]	2.92 [74]	.66 [17]																				
	YA31LTC58FX90	3			1.98 [50]		1.90 [48]																					
3/4	YA31LTC34FX	1			-----			3.19 [81]																				
	YA31LTC34FX45	2			1.85 [47]	.81 [21]	3.11 [79]	.75 [19]																				
	YA31LTC34FX90	3			1.98 [50]		2.09 [53]																					
250 FLEX CLASS I, K, M 262.2 DLO (650/24)																												
150 mm² CLASS 5	-----	-----				1.06 [27]	1.29 [33]					.88 [22]	.18 [4]			17 OR 298	WHITE	W30VT (2)	W30RT (2) W30VT (2)	U30RT (2)	U30RT (2)	U30RT (2)		1-1/8"				

HYDRAULIC:  
Y644M (1)  
PAT644 (1)  
Y81KFT (2)  
PAT81KFT (2)  
Y4PC834 (2)  
PAT4PC834 (2)  
PAT444(1)  
Y444(1)

REV: PEO200


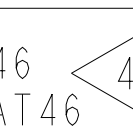
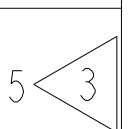
SEE SHEET 1 OF 18 FOR NOTES

TO ORDER BURNDY® PRODUCTS CALL		HYLUG™	
UNITED STATES 1-800-346-4175 (LONDONDERRY, NH)		ITEM NO: N/A	
CANADA: 1-800-361-6975 (QUEBEC) 1-800-387-6487 (ALL OTHER PROVINCES)		CAT. NO: YA31L-TC-FX-	
FOR PRODUCT INFO: <a href="http://www.burndy.com">http://www.burndy.com</a>		DRAWN BY: D FILLION 12/01/92	
		CHECKER: K HENRY 12/02/92	
		DSN APPVL: C PALAGI 12/04/92	
		MFG APPVL: --	
		QA APPVL: A LLOYD 12/07/92	
		MKT APPVL: T NELSON 12/04/92	
		PROD FAM: CM&R Compression	
		DRAWING NO: SE208001	
		PROJECT #: --	
		DOCUMENT TYPE: Sales	
		REL LEVEL: Released	
		SCALE: 1:1	
		SHEET 12 OF 18	





REV	DATE	DESCRIPTION	ECO	BY	C'H'K.
T	2020-08-14 00:00:00 EDT	UPDATED AS PER REQUEST	54025	YR	SS

CONDUCTOR			BOLT SIZE	CATALOG NO.	FIG. NO.	DIMENSIONS							BURNDY® INSTALLATION TOOLING (# CRIMPS)																									
FLEX	CODE (AWG)	NAVY 				B	C	H	K	L	N	O.D.	T REF.	Z MIN.	DIE INDEX	COLOR CODE	MECHANICAL RATCHET	HYDRAULIC				DIELESS (# CRIMPS)	WIRE STRIP LENGTH															
																	MD7-34R MD6	BCT500 Y500CT PAT600	Y750, Y35 Y39, PAT750	Y46 PAT46 	Y45 																	
350 KCMIL FLEX CLASS G-M 373.7 DLO (925/24)  240 mm² CLASS 5	-----	-----	5/16	YA34LTC516FX	1	1.27 [32]	1.55 [39]	-----		2.74 [70]			1.06 [27]	.23 [6]			19 OR 470	BLUE	W32VT (2)	W32RT (2) W32VT (2)	U32RT (2)	U32RT (2)	U32RT (2)		1-5/16"													
				YA34LTC516FX45	2			2.24 [57]	.33 [8]	2.66 [67]	.34 [9]																											
				YA34LTC516FX90	3			2.41 [61]		1.40 [36]																												
350 KCMIL FLEX CLASS G-M 373.7 DLO (925/24)  240 mm² CLASS 5	-----	-----	3/8	YA34LTC38FX	1	1.27 [32]	1.55 [39]	-----		2.87 [73]			1.06 [27]	.23 [6]			19 OR 470	BLUE	W32VT (2)	W32RT (2) W32VT (2)	U32RT (2)	U32RT (2)	U32RT (2)	HYDRAULIC: Y644M (1) PAT644 (1) Y81KFT (2) PAT81KFT (2) Y4PC834 (2) PAT4PC834 (2) PAT444(1) Y444(1)	1-5/16"													
				YA34LTC38FX45	2			2.24 [57]	.40 [10]	2.78 [70]	.41 [10]																											
				YA34LTC38FX90	3			2.41 [61]		1.52 [39]																												
350 KCMIL FLEX CLASS G-M 373.7 DLO (925/24)  240 mm² CLASS 5	-----	-----	1/2	YA34LTC12FX	1	1.27 [32]	1.55 [39]	-----		3.12 [79]			1.06 [27]	.23 [6]			19 OR 470	BLUE	W32VT (2)	W32RT (2) W32VT (2)	U32RT (2)	U32RT (2)	U32RT (2)	HYDRAULIC: Y644M (1) PAT644 (1) Y81KFT (2) PAT81KFT (2) Y4PC834 (2) PAT4PC834 (2) PAT444(1) Y444(1)	1-5/16"													
				YA34LTC12FX45	2			2.24 [57]	.53 [13]	3.03 [76]	.53 [13]																											
				YA34LTC12FX90	3			2.41 [61]		1.77 [45]																												
350 KCMIL FLEX CLASS G-M 373.7 DLO (925/24)  240 mm² CLASS 5	-----	-----	5/8	YA34LTC58FX	1	1.27 [32]	1.55 [39]	-----		3.37 [86]			1.06 [27]	.23 [6]			19 OR 470	BLUE	W32VT (2)	W32RT (2) W32VT (2)	U32RT (2)	U32RT (2)	U32RT (2)	HYDRAULIC: Y644M (1) PAT644 (1) Y81KFT (2) PAT81KFT (2) Y4PC834 (2) PAT4PC834 (2) PAT444(1) Y444(1)	1-5/16"													
				YA34LTC58FX45	2			2.24 [57]	.69 [18]	3.28 [83]	.66 [17]																											
				YA34LTC58FX90	3			2.41 [61]		2.02 [52]																												

Area B and C are empty.

SEE SHEET 1 OF 18 FOR NOTES	TO ORDER BURNDY® PRODUCTS CALL		HYLUG™	
	UNITED STATES 1-800-346-4175 (LONDONDERRY, NH)		ITEM NO: N/A	
	CANADA: 1-800-361-6975 (QUEBEC) 1-800-387-6487 (ALL OTHER PROVINCES)		CAT. NO: YA34L-TC-FX-	
	FOR PRODUCT INFO: <a href="http://www.burndy.com">http://www.burndy.com</a>		DRAWN BY: D FILLION 12/01/92	
			CHECKER: K HENRY 12/02/92	
		DSN APPVL: C PALAGI 12/04/92		
		MFG APPVL: --		
		QA APPVL: A LLOYD 12/07/92		
		MKT APPVL: --		
		SCALE: 1:1		
		PROD FAM: CM&R Compression		
		DRAWING NO: SE208001		
		PROJECT #: --		
		DOCUMENT TYPE: Sales		
		REL LEVEL: Released		
		SHEET 14 OF 18		

REV: PEO200

REV	DATE	DESCRIPTION	ECO	BY	C'H'K.
T	2020-08-14 00:00:00 EDT	UPDATED AS PER REQUEST	54025	YR	SS

D

D

C




C

B

B

A

A


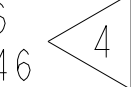

CATALOG NO.	CONDUCTOR			BOLT SIZE	FIG. NO.	DIMENSIONS							BURNDY® INSTALLATION TOOLING (# CRIMPS)									
	FLEX	CODE (AWG)	NAVY 			B	C	H	K	L	N	O.D.	T REF.	Z MIN.	DIE INDEX	COLOR CODE	HYDRAULIC			DIELESS (# CRIMPS)	WIRE STRIP LENGTH	
																	Y750 Y35 Y39, PAT750	Y46 PAT46 	Y45 			
YA36LTC38FX	500 KCMIL FLEX CLASS G,H 444.4 DLO (1110/24)	-----	-----	3/8	1	1.38 [35]	1.74 [44]	-----	.41 [10]	3.23 [82]	.50 [13]	1.19 [31]	.27 [7]	.51 [13]	20 OR 299	BROWN	U34RT (2)	U34RT (2)	U34RT (2)	HYDRAULIC: Y644M (1) PAT644 (1) Y81KFT (2) PAT81KFT (2) Y4PC834 (2) PAT4PC834 (2) PAT444(1) Y444(1)	1-3/8"	
YA36LTC38FX45								2		2.48 [63]												3.20 [81]
YA36LTC38FX90								3		2.68 [68]												1.80 [46]
YA36LTC12FX	500 KCMIL FLEX CLASS G,H 444.4 DLO (1110/24)	-----	-----	1/2	1	1.38 [35]	1.74 [44]	-----	.53 [13]	3.29 [84]	.53 [13]	1.19 [31]	.27 [7]	.55 [14]	20 OR 299	BROWN	U34RT (2)	U34RT (2)	U34RT (2)	HYDRAULIC: Y644M (1) PAT644 (1) Y81KFT (2) PAT81KFT (2) Y4PC834 (2) PAT4PC834 (2) PAT444(1) Y444(1)	1-3/8"	
YA36LTC12FX45								2		2.48 [63]												3.26 [83]
YA36LTC12FX90								3		2.68 [68]												1.86 [47]
YA36LTC58FX	500 KCMIL FLEX CLASS G,H 444.4 DLO (1110/24)	-----	-----	5/8	1	1.38 [35]	1.74 [44]	-----	.69 [17]	3.54 [90]	.66 [17]	1.19 [31]	.27 [7]	.67 [17]	20 OR 299	BROWN	U34RT (2)	U34RT (2)	U34RT (2)	HYDRAULIC: Y644M (1) PAT644 (1) Y81KFT (2) PAT81KFT (2) Y4PC834 (2) PAT4PC834 (2) PAT444(1) Y444(1)	1-3/8"	
YA36LTC58FX45								2		2.48 [63]												3.51 [89]
YA36LTC58FX90								3		2.68 [68]												2.11 [54]
YA36LTC78FX	500 KCMIL FLEX CLASS G,H 444.4 DLO (1110/24)	-----	-----	7/8	1	1.38 [35]	1.74 [44]	-----	.94 [24]	3.98 [101]	.88 [23]	1.19 [31]	.27 [7]	.89 [23]	20 OR 299	BROWN	U34RT (2)	U34RT (2)	U34RT (2)	HYDRAULIC: Y644M (1) PAT644 (1) Y81KFT (2) PAT81KFT (2) Y4PC834 (2) PAT4PC834 (2) PAT444(1) Y444(1)	1-3/8"	
YA36LTC78FX								1		2.68 [68]												2.11 [54]

SEE SHEET 1 OF 18 FOR NOTES

TO ORDER BURNDY® PRODUCTS CALL UNITED STATES 1-800-346-4175 (LONDONDERRY, NH)  CANADA: 1-800-361-6975 (QUEBEC) 1-800-387-6487 (ALL OTHER PROVINCES)  FOR PRODUCT INFO: <a href="http://www.burndy.com">http://www.burndy.com</a>	HYLUG™	
	ITEM NO:	N/A
	CAT. NO:	YA36L-TC--FX- (TABLE)
	DRAWN BY:	D FILLION 12/01/92
	CHECKER:	K HENRY 12/02/92
	DSN APPVL:	C PALAGI 12/04/92
	MFG APPVL:	-- --
	QA APPVL:	A LLOYD 12/07/92
	MKT APPVL:	T NELSON 12/07/92
	PROD FAM:	CM&R Compression
PROJECT #:	---	
DOCUMENT TYPE:	Sales	
REL LEVEL:	Released	
DRAWING NO		SCALE: 1:1
DRAWING NO		SE208001
DRAWING NO		SHEET 15 OF 18
REV		T

REV: PE0200

REV	DATE	DESCRIPTION	ECO	BY	C'K'K.
T	2020-08-14 00:00:00 EDT	UPDATED AS PER REQUEST	54025	YR	SS

D	CONDUCTOR			BOLT SIZE	CATALOG NO.	FIG. NO.	DIMENSIONS						BURNDY® INSTALLATION TOOLING (# CRIMPS)					D								
	FLEX	CODE (AWG)	NAVY 				B	C	H	K	L	N	O.D.	T REF.	Z MIN.	DIE INDEX	COLOR CODE		HYDRAULIC			DIELESS (# CRIMPS)	WIRE STRIP LENGTH			
																			Y750 Y35 Y39, PAT750	Y46 PAT46 	Y45 					
C	500 KCMIL FLEX CLASS H, I, K 550 KCMIL FLEX CLASS G,H,I 535.3 DLO (1330/24)  300 mm² CLASS 5	-----	-----	5/16	YA38LTC516FX	1	1.45 [37]	1.84 [47]	-----		3.03 [77]		1.25 [32]	.27 [7]			L99	PINK	U38XRT (2)	U38XRT (2)	U38XRT (2)		1-7/16"			
					YA38LTC516FX45	2			2.60 [66]	.33 [8]	2.97 [75]	.34 [9]														
					YA38LTC516FX90	3			2.80 [71]		1.52 [39]															
					YA38LTC38FX	1			-----		3.34 [85]															
					YA38LTC38FX45	2			2.60 [66]	.40 [10]	3.29 [84]	.50 [13]														
					YA38LTC38FX90	3			2.80 [71]		1.83 [46]															
	500 KCMIL FLEX CLASS H, I, K 550 KCMIL FLEX CLASS G,H,I 535.3 DLO (1330/24)  300 mm² CLASS 5	-----	-----	3/8	YA38LTC12FX	1			-----		3.41 [87]															
					YA38LTC12FX45	2			2.60 [66]	.53 [13]	3.35 [85]	.53 [13]														
					YA38LTC12FX90	3			2.80 [71]		1.90 [48]															
					YA38LNTCFX90					.56 [14]																
					YA38LTC58FX	1			-----		3.66 [93]															
					YA38LTC58FX45	2			2.60 [66]	.69 [17]	3.60 [91]	.66 [17]														
YA38LTC58FX90	3			2.80 [71]		2.15 [55]																				
B			7/8	YA38LTC78FX	1	1.45 [37]	1.84 [47]	---	.94 [24]	4.10 [104]	.88 [22]	1.25 [32]	.27 [7]	.89 [23]	L99	PINK	U38XRT (2)	U38XRT (2)	U38XRT (2)		1-7/16"					

HYDRAULIC:  
Y644M (1)  
PAT644 (1)  
Y81KFT (2)  
PAT81KFT (3)  
Y4PC834 (3)  
PAT4PC834 (3)  
PAT444(1)  
Y444(1)

SEE SHEET 1 OF 18 FOR NOTES

TO ORDER BURNDY® PRODUCTS CALL UNITED STATES 1-800-346-4175 (LONDONDERRY, NH) CANADA: 1-800-361-6975 (QUEBEC) 1-800-387-6487 (ALL OTHER PROVINCES) FOR PRODUCT INFO: <a href="http://www.burndy.com">http://www.burndy.com</a>	HYLUG™	
	ITEM NO:	N/A
	CAT. NO:	YA38L-TC-FX-
	DRAWN BY:	D FILLION 12/01/92
	CHECKER:	K HENRY 12/02/92
	DSN APPVL:	C PALAGI 12/04/92
	MFG APPVL:	--
	QA APPVL:	A LLOYD 12/07/92
	MKT APPVL:	T NELSON 12/04/92
	PROD FAM:	CM&R Compression
PROJECT #:	SIZE	DRAWING NO
DOCUMENT TYPE:	Sales	REV
REL LEVEL:	Released	




SCALE: 1:1  
SE208001  
SHEET 16 OF 18

REV: PEO200



REV	DATE	DESCRIPTION	ECO	BY	C'H'K.
T	2020-08-14 00:00:00 EDT	UPDATED AS PER REQUEST	54025	YR	SS

CONDUCTOR			BOLT SIZE	CATALOG NO.	FIG. NO.	DIMENSIONS							BURNDY® INSTALLATION TOOLING (# CRIMPS)											
FLEX	CODE (AWG)	NAVY 				B	C	H	K	L	N	O.D.	T REF.	Z MIN.	DIE INDEX	COLOR CODE	HYDRAULIC			DIELESS (# CRIMPS)	WIRE STRIP LENGTH			
																	Y750 Y35 Y39, PAT750	Y46 PAT46	Y45					
650 KCMIL FLEX CLASS G 646.6 DLO (1600/24)  400 mm² CLASS 5  650 KCMIL FLEX CLASS G 646.6 DLO (1600/24)  400 mm² CLASS 5	↑	↑	5/16	YA40LTC516FX	1	1.42 [36]	1.98 [50]	-----		3.05 [77]			1.35 [34]	.30 [8]		24	BLACK	U39RT (2)	U39RT (2)	U39RT (2)	HYDRAULIC: Y644M (1) PAT644 (1) Y81KFT (2) PAT81KFT (3) Y4PC834 (3) PAT4PC834 (3) PAT444(1) Y444(1)	1-5/16"		
				YA40LTC516FX45	2			2.71 [69]	.33 [8]	3.06 [78]	.34 [9]													
				YA40LTC516FX90	3			2.89 [73]		1.59 [40]														
				YA40LTC38FX	1			-----		3.38 [86]														
				YA40LTC38FX45	2			2.71 [69]	.40 [10]	3.38 [86]	.50 [13]													
				YA40LTC38FX90	3			2.89 [73]		1.91 [49]														
			3/8	YA40LTC12FX	1			-----		3.43 [87]														
				YA40LTC12FX45	2			2.71 [69]	.53 [13]	3.44 [87]	.53 [13]													
				YA40LTC12FX90	3			2.89 [73]		1.96 [50]														
			1/2	YA40LTC58FX	1			-----		3.68 [93]														
				YA40LTC58FX45	2			2.71 [69]	.69 [17]	3.69 [94]	.66 [17]													
				YA40LTC58FX90	3			2.89 [73]		2.21 [56]														
5/8	YA40LTC58FX	1			-----		3.68 [93]																	
	YA40LTC58FX45	2			2.71 [69]	.69 [17]	3.69 [94]	.66 [17]																
	YA40LTC58FX90	3			2.89 [73]		2.21 [56]																	
						1.42 [36]	1.98 [50]	2.89 [73]				1.35 [34]	.30 [8]		24	BLACK	U39RT (2)	U39RT (2)	U39RT (2)		1-5/16"			


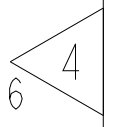
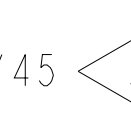
REV: PEO200

SEE SHEET 1 OF 18 FOR NOTES

TO ORDER BURNDY® PRODUCTS CALL		HYLUG™	
UNITED STATES 1-800-346-4175 (LONDONDERRY, NH)		ITEM NO: N/A	
CANADA: 1-800-361-6975 (QUEBEC) 1-800-387-6487 (ALL OTHER PROVINCES)		CAT. NO: YA40L-TC-FX-	
FOR PRODUCT INFO: <a href="http://www.burndy.com">http://www.burndy.com</a>		DRAWN BY: D FILLION 12/01/91	
		CHECKER: K HENRY 12/02/92	
		DSN APPVL: C PALAGI 12/04/92	
		MFG APPVL: --	
		QA APPVL: A LLOYD 12/07/92	
		MKT APPVL: T NELSON 12/04/92	
		PROD FAM: CM&R Compression	
		DRAWING NO: SE208001	
		PROJECT #: --	
		DOCUMENT TYPE: Sales	
		REL LEVEL: Released	
		SCALE: 1:1	
		SHEET 17 OF 18	



REV	DATE	DESCRIPTION	ECO	BY	C'H'K.
T	2020-08-14 00:00:00 EDT	UPDATED AS PER REQUEST	54025	YR	SS

CATALOG NO.	FIG. NO.	CONDUCTOR			BOLT SIZE	DIMENSIONS								BURNDY® INSTALLATION TOOLING (# CRIMPS)												
		FLEX	CODE (AWG)	NAVY 		B	C	H	K	L	N	O.D.	T REF.	Z MIN.	DIE INDEX	COLOR CODE	HYDRAULIC			DIELESS (# CRIMPS)	WIRE STRIP LENGTH					
																	Y750 Y35 Y39 BAT750 PAT750	Y46 PAT46 	Y45 							
YA44LTC12FX	1	750 KCMIL FLEX CLASS G,H,I 777.7 DLO (1925/24)	---	---	1/2 [M12]	1.65 [42]	2.19 [56]	----		3.79 [96]		1.50 [38]	.33 [8]		L115	YELLOW	U44XRT (2)	U44XRT P44XRT (2)	U44XRT (2)	HYDRAULIC: Y644M (1) PAT644 (1) Y81KFT (2) PAT81KFT (3) Y4PC834 (3) PAT4PC834 (3) PAT444(1) Y444(1)	1-5/8"					
YA44LTC12FX45	2					3.06 [78]	.53 [13]	3.74 [95]	.53 [13]																	
YA44LTC12FX90	3					3.28 [84]		2.06 [53]																		
YA44LTC58FX	1				500 mm <sup>2</sup> CLASS 5	---	---	5/8 [M16]	1.65 [42]	2.19 [56]	----	4.04 [103]		1.50 [38]	.33 [8]		L115	YELLOW	U44XRT (2)			U44XRT P44XRT (2)	U44XRT (2)			
YA44LTC58FX45	2								3.06 [78]	.69 [18]	3.99 [101]	.66 [17]														
YA44LTC58FX90	3								3.28 [84]		2.31 [59]															
YA44LNT12FX	1				---	---	---	1/2 [M12]	1.65 [42]	1.62 [41]	----	3.98 [101]	.62 [16]	1.50 [38]	.33 [8]		L115	YELLOW	U44XRT (2)			U44XRT P44XRT (2)	U44XRT (2)			
YA44LTC38FX	1								3/8 [M10]	2.19 [56]	----	.41 [10]	3.73 [95]	.50 [13]												

B

B

A

A

SEE SHEET 1 OF 18 FOR NOTES

TO ORDER BURNDY® PRODUCTS CALL		HYLUG™	
UNITED STATES 1-800-346-4175 (LONDONDERRY, NH)		ITEM NO: N/A	CAT. NO: YA44L-TC-FX-
CANADA: 1-800-361-6975 (QUEBEC) 1-800-387-6487 (ALL OTHER PROVINCES)		DRAWN BY: D FILLION 12/17/92	CHECKER: K HENRY 12/18/92
FOR PRODUCT INFO: <a href="http://www.burndy.com">http://www.burndy.com</a>		DSN APPVL: C PALAGI 12/22/92	MFG APPVL: --
		QA APPVL: A LLOYD 12/31/92	MKT APPVL: T NELSON 01/12/93
		PROD FAM: CM&R Compression	DRAWING NO: SE208001
		PROJECT #: --	SCALE: 1:1
		DOCUMENT TYPE: Sales	REV: T
		REL LEVEL: Released	SHEET 18 OF 18



REV: PE0200